



Focus manual valve



Description

Manual valve single regulating.

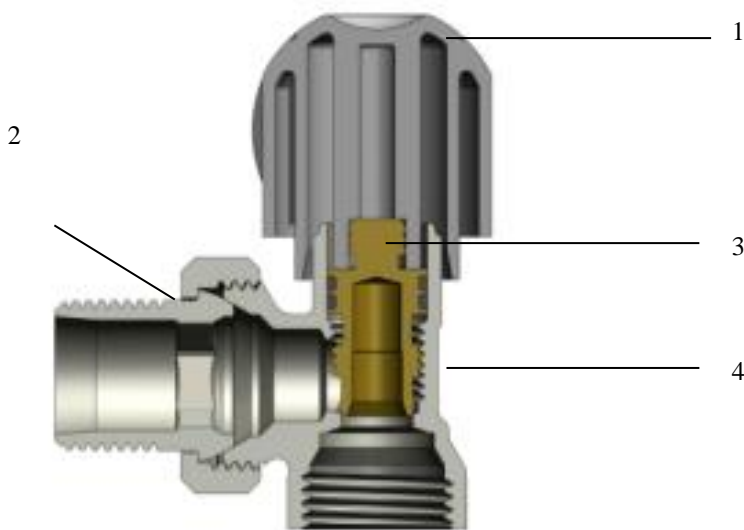
Versions

Form	Straight, Angle
Radiator connection	3/8", 1/2"
Pipe connection	Female, Male M22
O-ring	With or without
Lockshield	With or without

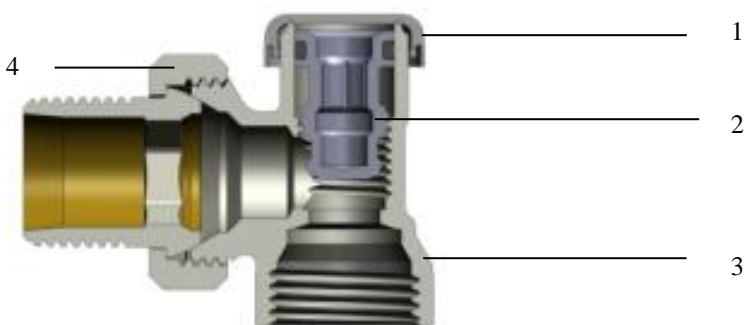
Benefits

- For 2 o-ring version → Double pre sealing → fast installation
- Modern aesthetic
- 10 years guarantee

Conception



1. Handwheel
2. Nut: 2 O-rings or metal/metal
3. Maneuvering axis
4. Body



1. Plastoc cap
2. Maneuvering axis
3. Body
4. Nut: 2 O-rings or metal/metal

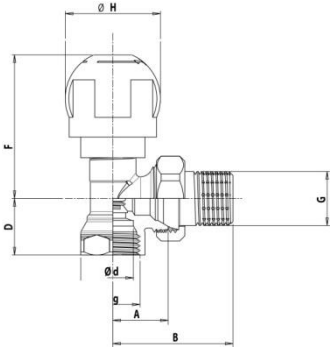
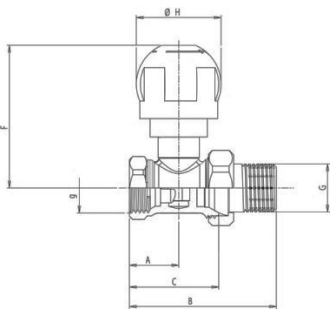
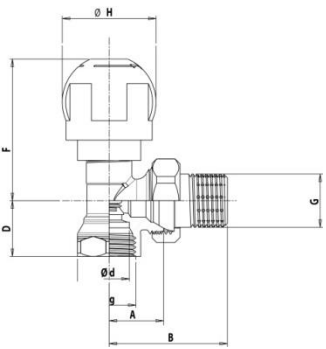
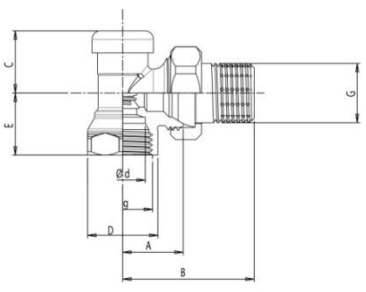
Materials

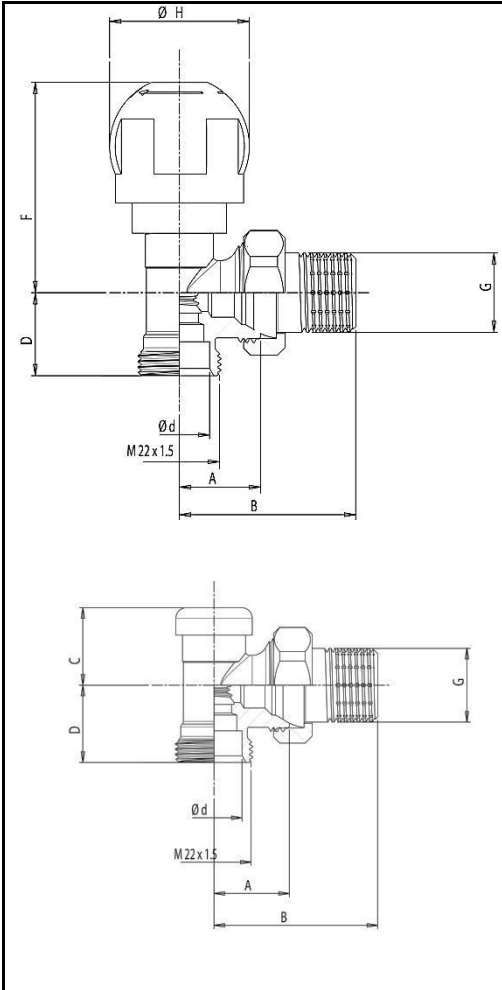
Body : Hot stamped brass with nickel plated finish
 White handwheel ABS
 Double sealing on the needle by 2 O-rings in EPDM
 Plastic cap in ABS high temperature

Specifications




Heating water system
 Nominal pressure: 10bar
 Maximum water temperature: 110°C

Dimensions

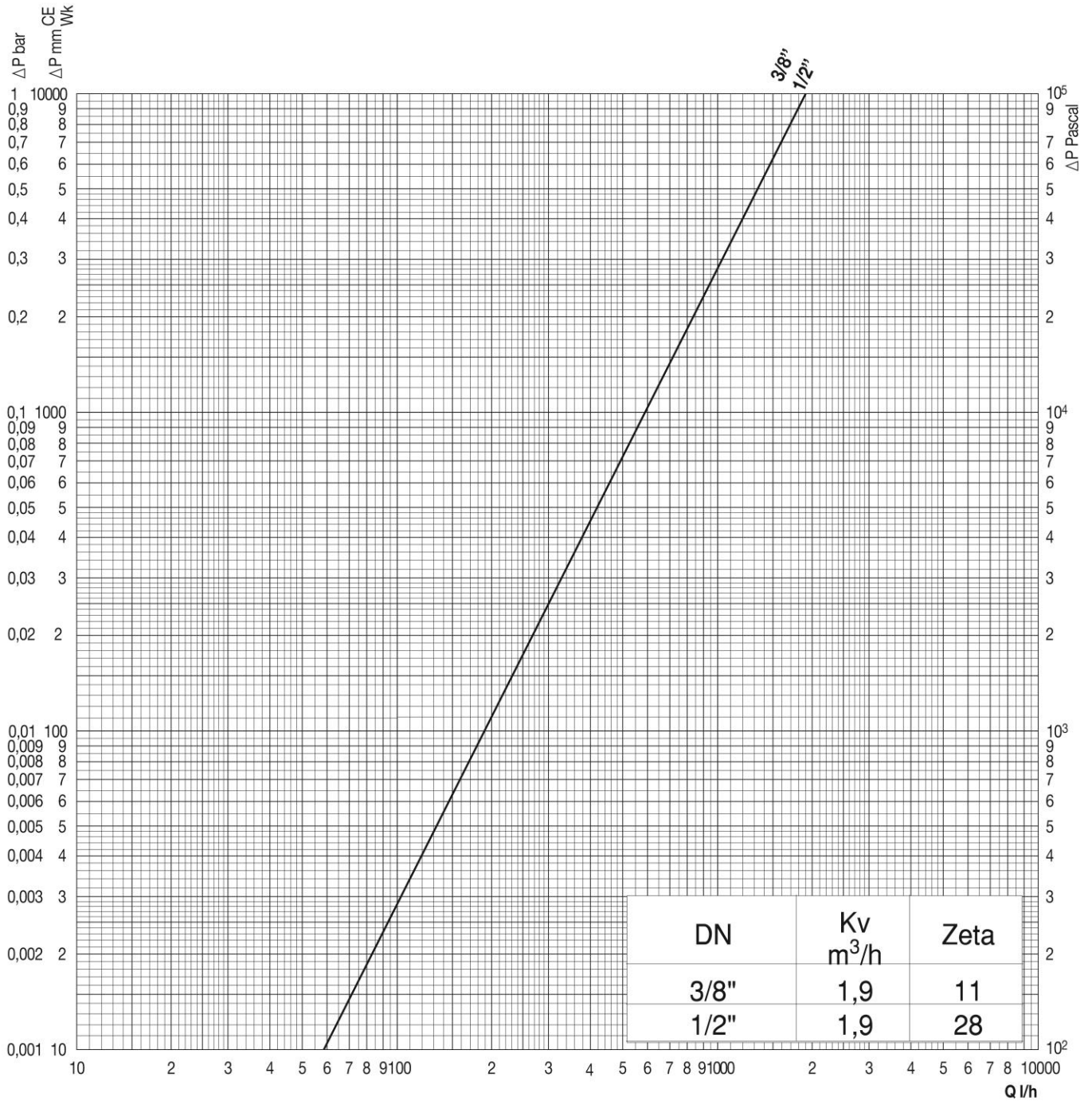
	Modèle	Part	g/G	A	B	d	D	E ou F	H ou C
	498	498103	3/8"	19	43	12	21	56	37
		498104 R498204B	1/2"	21.5	47	16	22	56	37
	499	499103	3/8"	22	64	39.5		62.5	37
		499104 499604 499204B	1/2"	21.5	64	39		62.5	37
 	4985B	RK498203	3/8" RM	19	43	12	21	56	37
			3/8" RR	19	43	12	21	21	22
		RK498204	1/2" RM	21.5	47	16	22	56	37
			1/2" RR	21.5	47	16	25	22	22

	4985E	RK4987031	3/8" RM	19	43	16	21	56	37
			3/8" RR	19	43	16	21		22
		RK4987041	1/2" RM	21.5	47	16	22	56	37
			1/2" RR	21.5	47	16	22		22

Product range

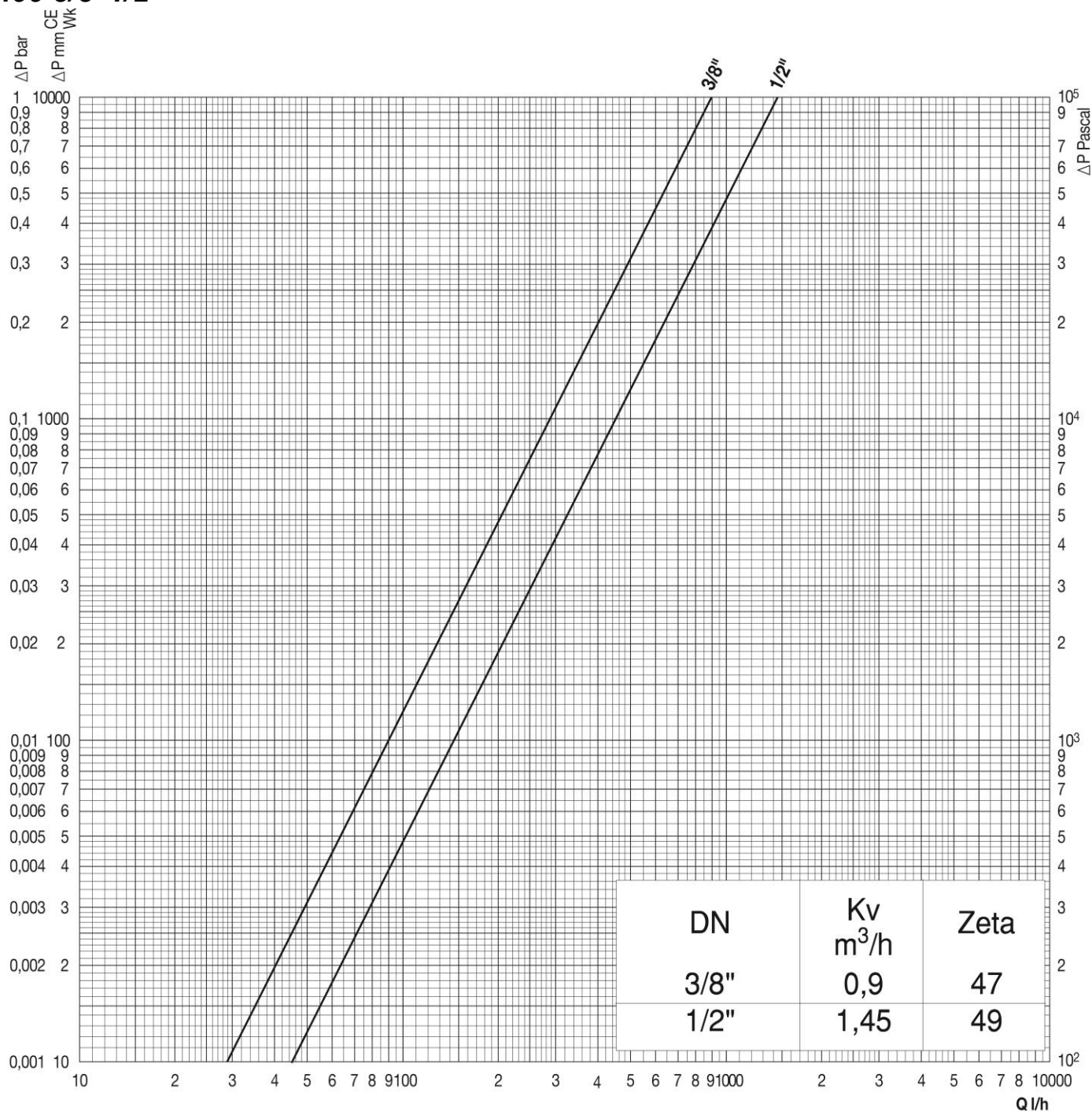
Photo	Shape	Connection	Dimensions	Kvs (m3/h)	Codes
	Straight	3/8 "	3/8"	0.9	499103
		1/2"	1/2"	1.45	499104
			1/2" JT		499604
			1/2" 2JT		R499204B
	Angle	3/8 "	3/8"	1.9	498103
		1/2	1/2"	1.9	498104
			1/2"2JT		R498204B
	Angle + Lockshield angle	3/8 "	3/8"2JT	1.9	RK498203
		1/2"	1/2" 2JT	1.9	RK498204
		Male M22	3/8"2JT	1.9	RK4987031
			1/2"2JT	1.9	RK4987041

Hydraulic curves
498 3/8"1/2"





499 3/8"1/2"





R2428 R2428E

