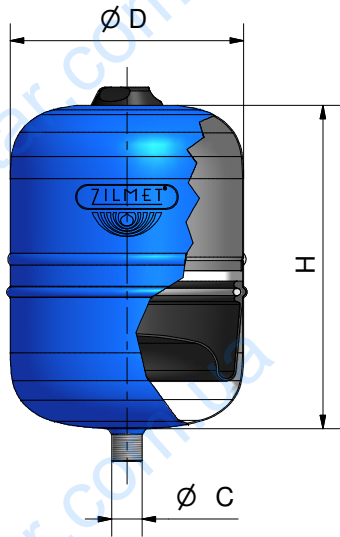




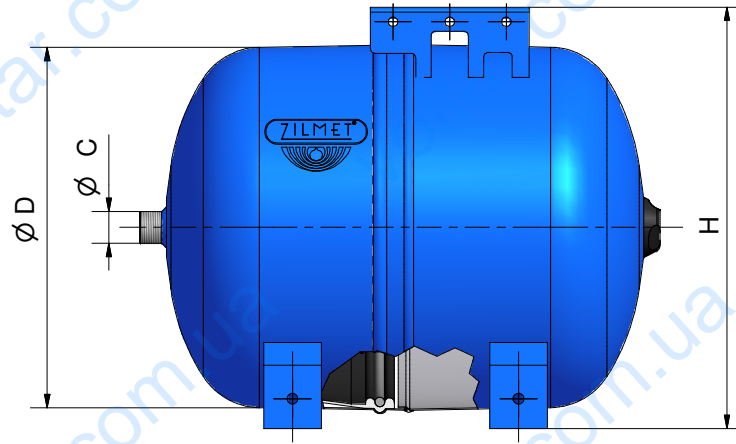
Technical drawing HYDRO PRO CE 20016
Drawing no. 20016

This drawing is property
of company Zilmet S.p.A.
All rights reserved

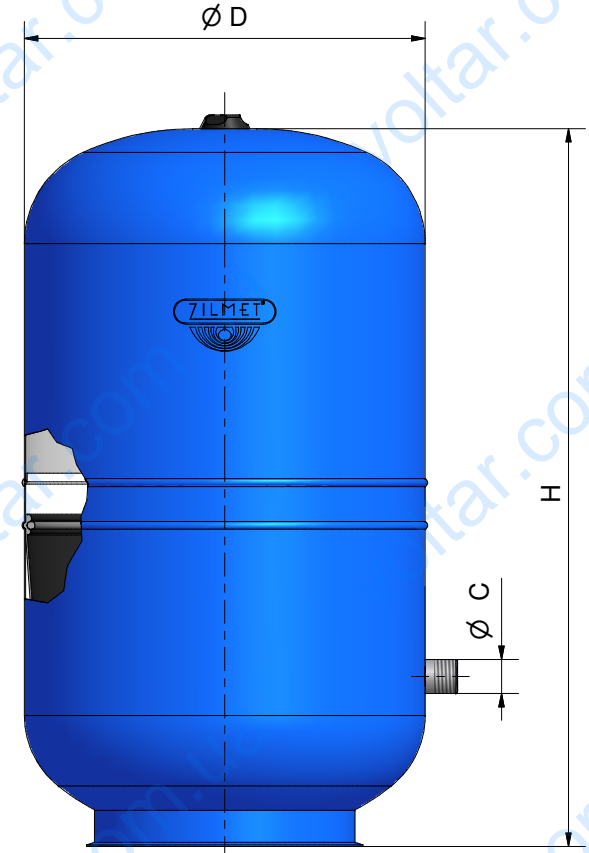
2 ÷ 35 litres



24 - 50 litres H



50 ÷ 600 litres



MADE IN ITALY