

1 UPS 32-120 F



: 96401839

* 3
*
*
*
*
*
*

-3-

: -10 .. 120 °C
60 °C
983.2 / 3

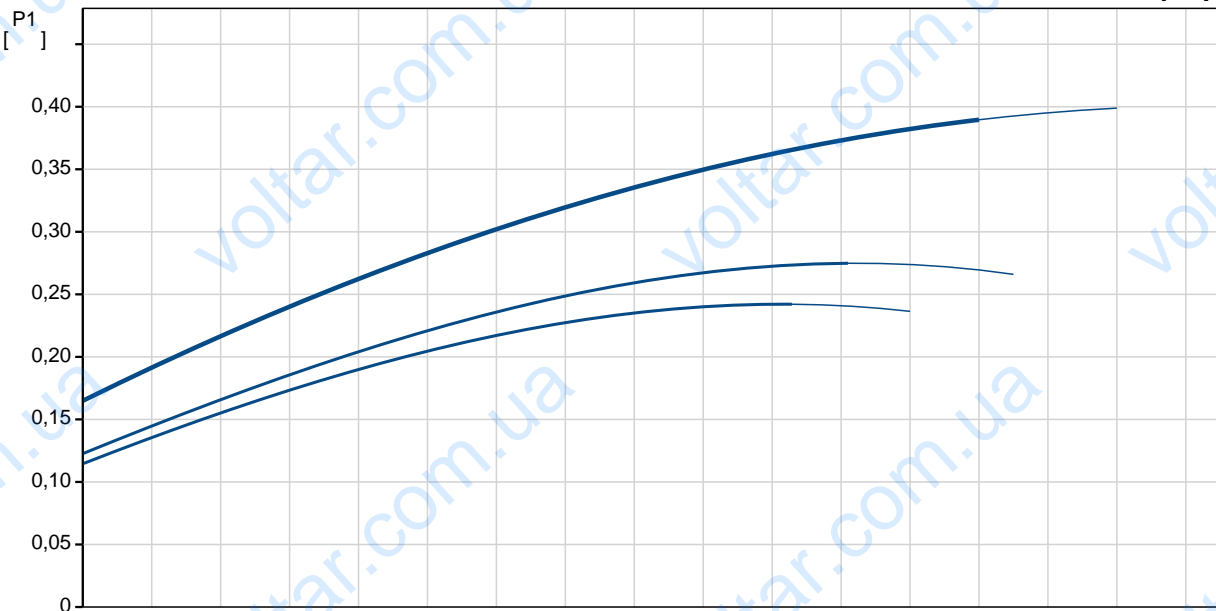
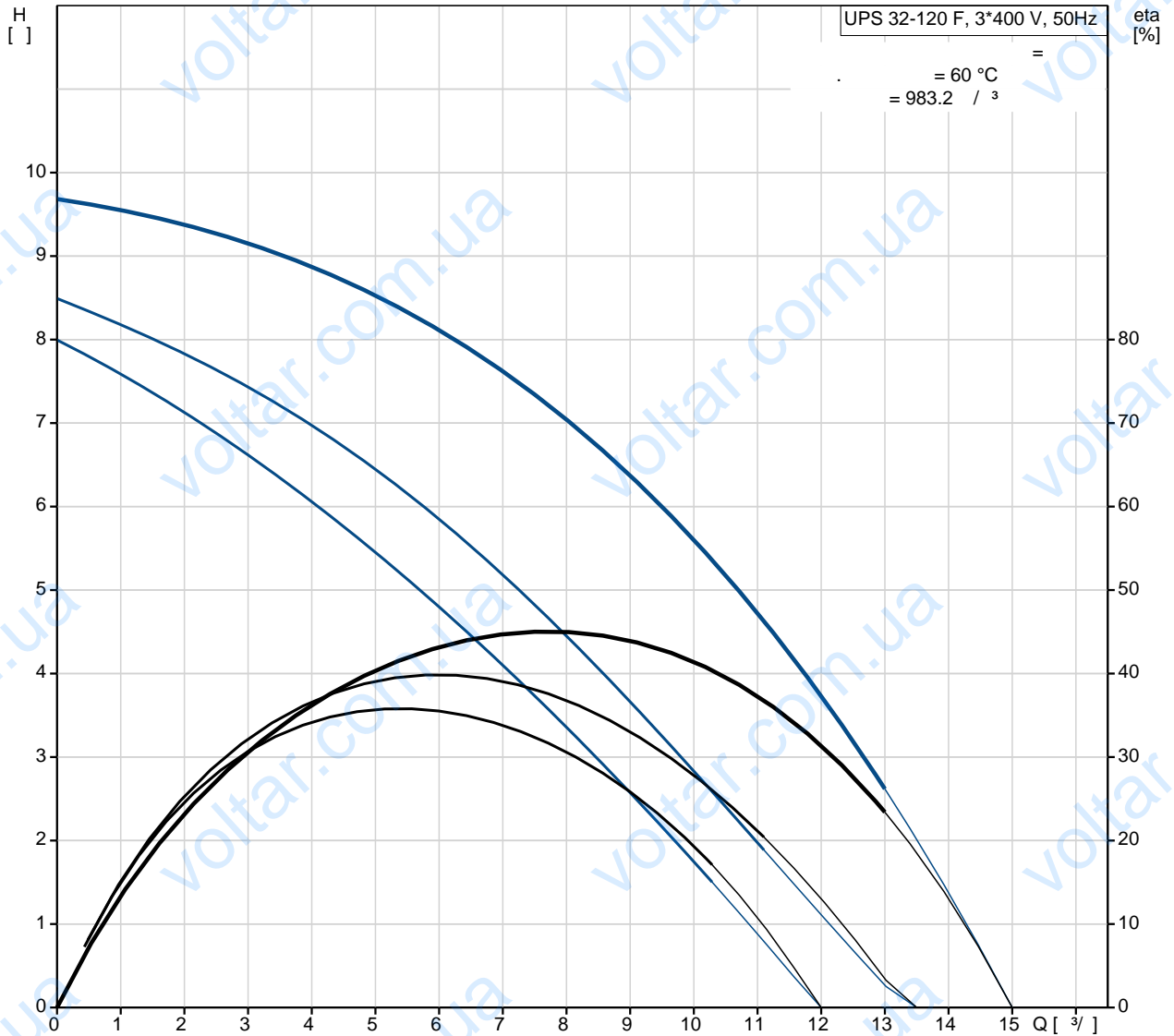
: AAA,EAC

EN-JL1040
ASTM 35 B - 40 B

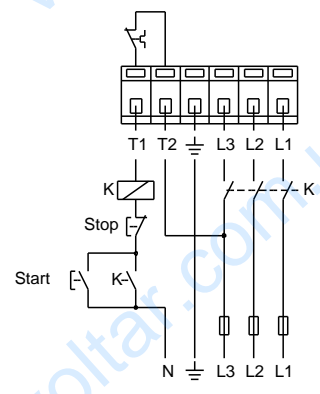
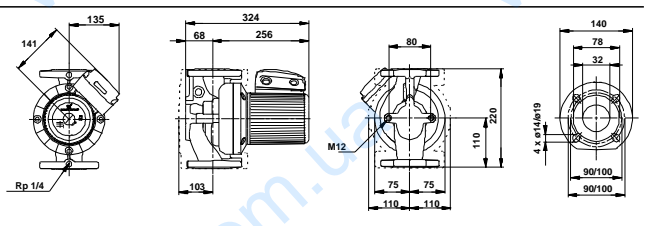
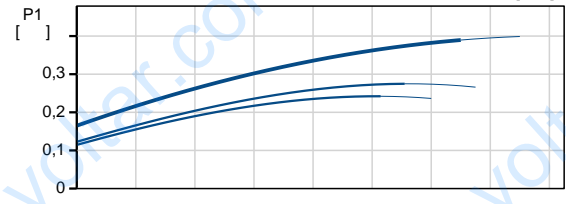
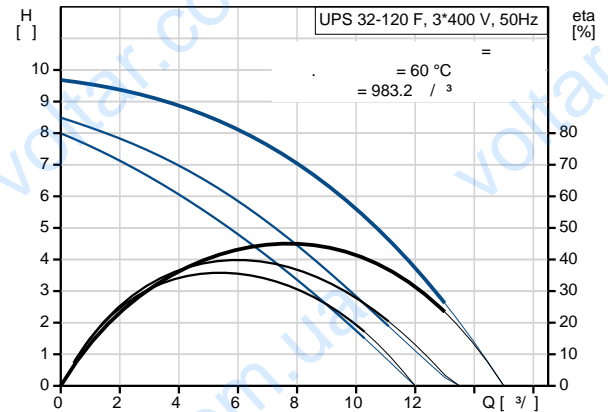
DIN W.-Nr. 1.4301
AISI 304

			: 0 .. 40 °C
		10	
		DIN	
		DN 32	
		PN 6 / PN 10	
		220	
		- :	
		1:	245
		2:	280
		400	
		50 Hz	
		:	3 x 400-415 V
		1:	0.42 A
		2:	0.47 A
		3:	0.78 A
Cos	1:		0,84
Cos	2:		0,86
Cos	:		0,74
	(IEC 85):		F
	Enclosure class (IEC 60529):		X4D
	:		17.3
	:		17.6
	:		0.026 ³

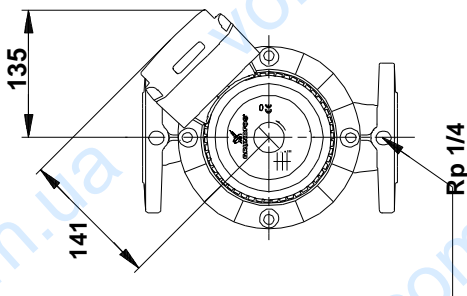
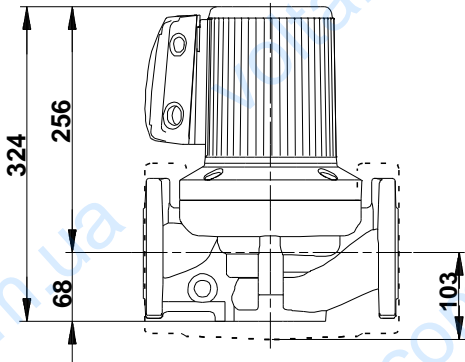
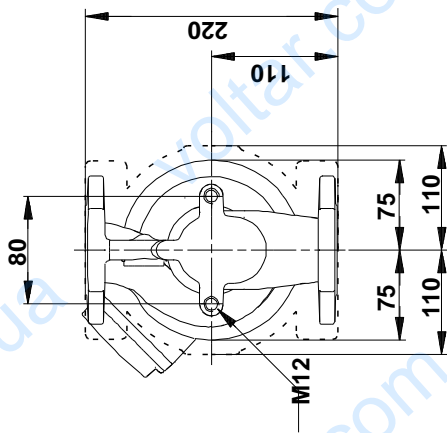
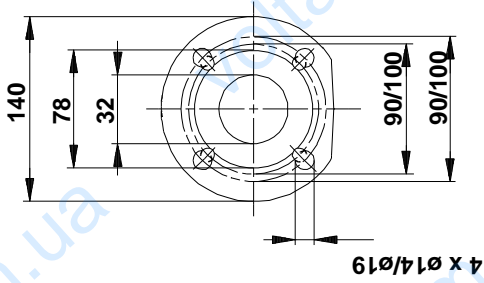
96401839 UPS 32-120 F 50



		UPS 32-120 F
		96401839
EAN		5708601058837
		3
		120
		AAA,EAC
		EN-JL1040
		ASTM 35 B - 40 B
		DIN W.-Nr. 1.4301
		AISI 304
		0 .. 40 °C
		10
		DIN
		DN 32
		PN 6 / PN 10
		220
		-10 .. 120 °C
		60 °C
		983.2 / ³
		1: 245
		2: 280
		400
		50 Hz
		3 x 400-415 V
		1: 0.42 A
		2: 0.47 A
		3: 0.78 A
Cos	1:	0,84
Cos	2:	0,86
Cos		0,74
		(IEC 85): F
Enclosure class (IEC 60529):		X4D
		CONTACT
		1.30H
		17.3
		17.6
		0.026 ³



96401839 UPS 32-120 F 50



96401839 UPS 32-120 F 50

