

1 UPS 40-120 F



96401944

* 3
*
*
*
*
*
*

-3-

: -10 .. 120 °C
60 °C
983.2 / 3

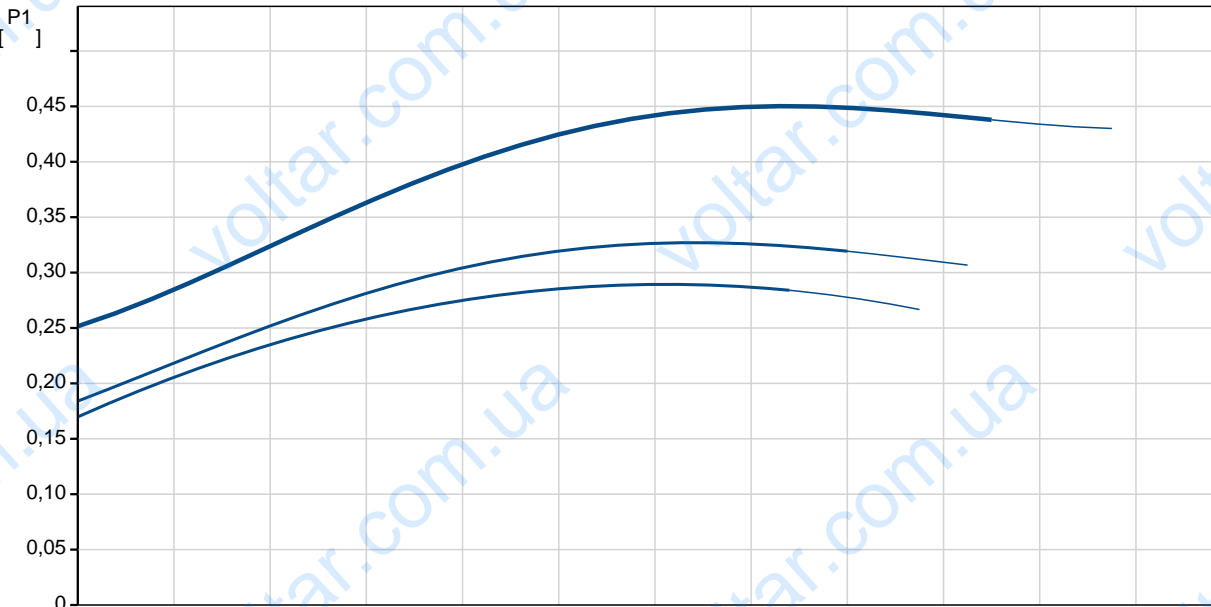
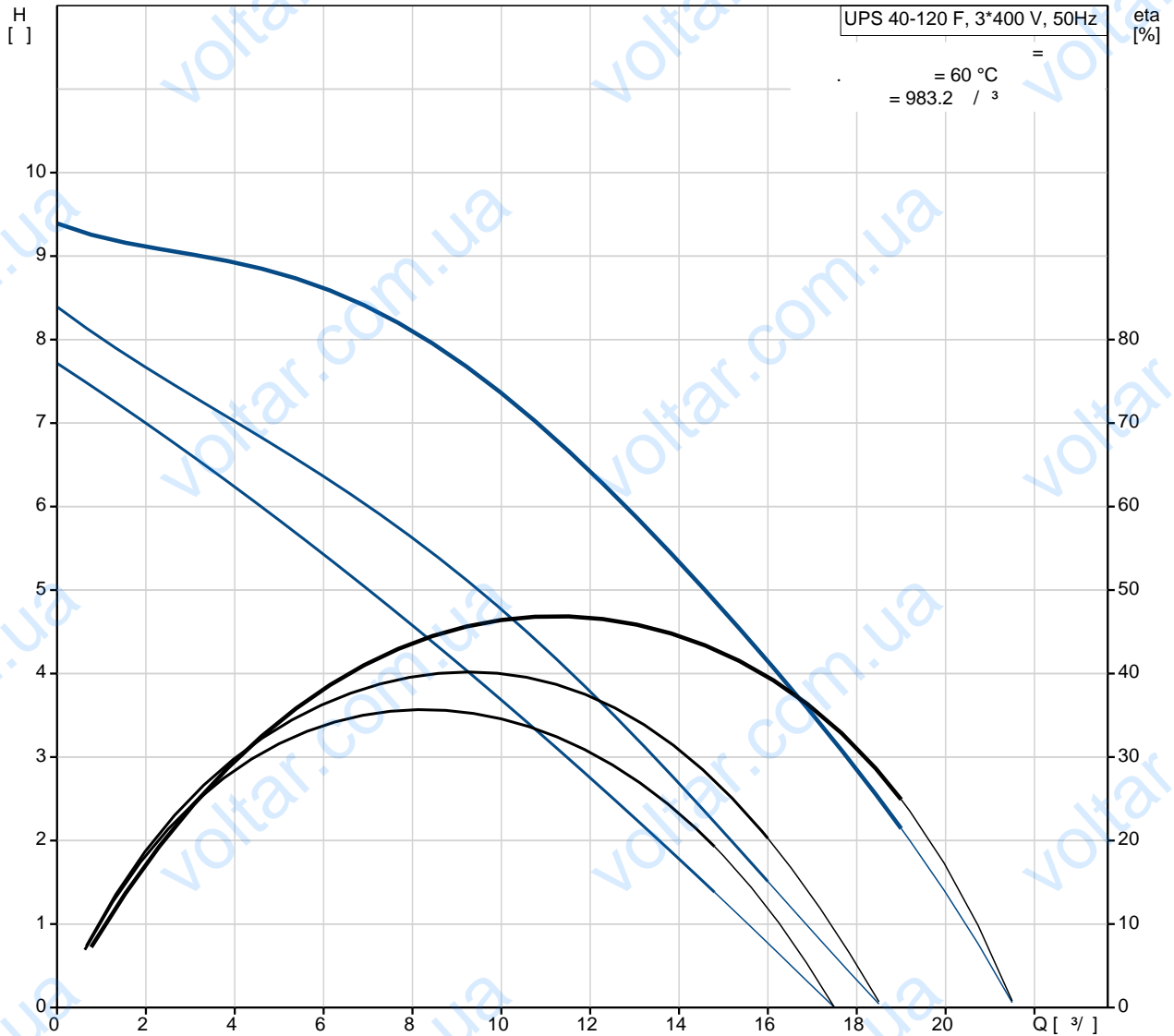
: AAA,EAC

EN-JL1040
ASTM 35 B - 40 B

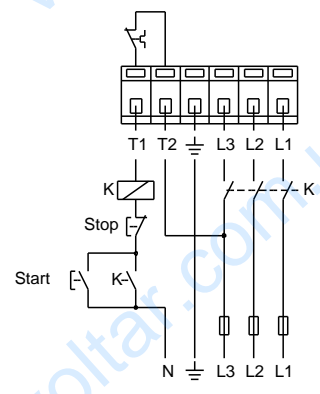
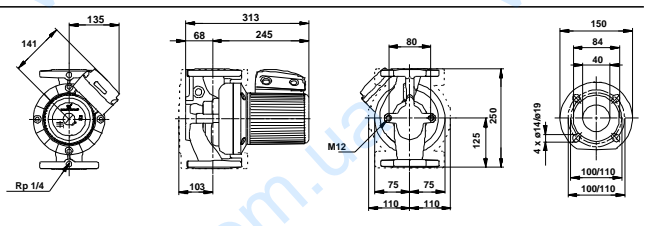
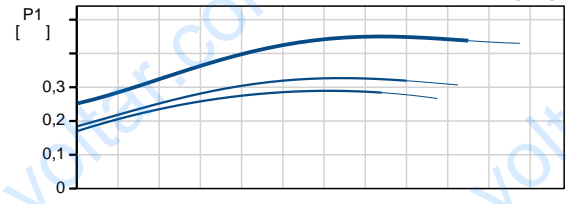
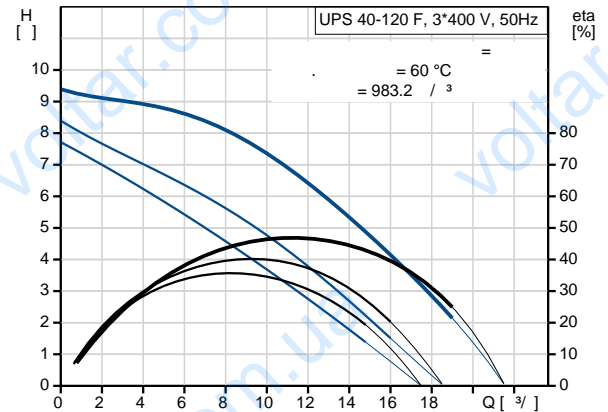
DIN W.-Nr. 1.4301
AISI 304

| | | | |
|------------------------------|-----------|--------------|--------------------|
| | | | : 0 .. 40 °C |
| | | 10 | |
| | | DIN | |
| | | DN 40 | |
| | | PN 6 / PN 10 | |
| | | 250 | |
| | | - : | |
| | | 1: | 290 |
| | | 2: | 330 |
| | | 460 | |
| | | 50 Hz | |
| | | : | 3 x 400-415 V |
| | | 1: | 0.49 A |
| | | 2: | 0.56 A |
| | | 3: | 0.92 A |
| Cos | 1: | | 0,85 |
| Cos | 2: | | 0,85 |
| Cos | : | | 0,72 |
| | (IEC 85): | | F |
| Enclosure class (IEC 60529): | | | X4D |
| | | | 19.1 |
| | | | 19.5 |
| | | | 0.029 ³ |

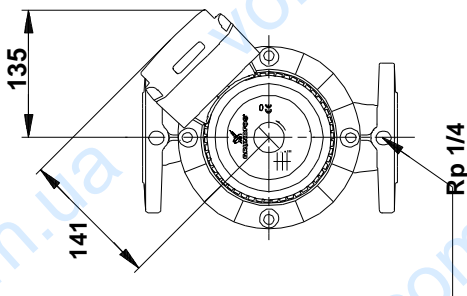
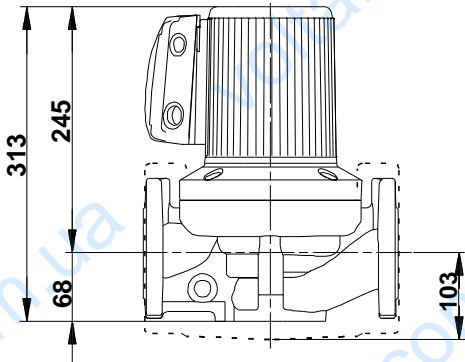
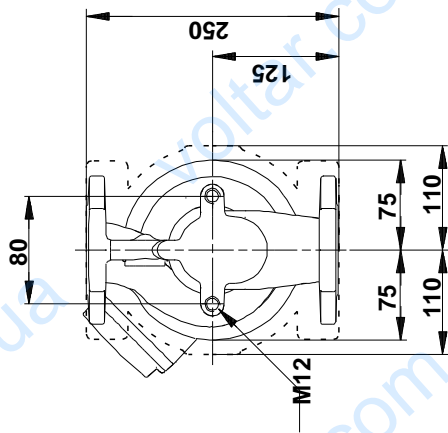
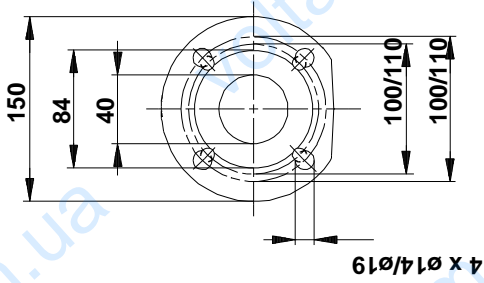
96401944 UPS 40-120 F 50



| | | |
|------------------------------|----|-------------------|
| | | UPS 40-120 F |
| | | 96401944 |
| EAN | | 5708601058875 |
| | | 3 |
| | | 120 |
| | | AAA,EAC |
| | | EN-JL1040 |
| | | ASTM 35 B - 40 B |
| | | DIN W.-Nr. 1.4301 |
| | | AISI 304 |
| | | 0 .. 40 °C |
| | | 10 |
| | | DIN |
| | | DN 40 |
| | | PN 6 / PN 10 |
| | | 250 |
| | | -10 .. 120 °C |
| | | 60 °C |
| | | 983.2 / ³ |
| | | 1: 290 |
| | | 2: 330 |
| | | 460 |
| | | 50 Hz |
| | | 3 x 400-415 V |
| | | 1: 0.49 A |
| | | 2: 0.56 A |
| | | 3: 0.92 A |
| Cos | 1: | 0,85 |
| Cos | 2: | 0,85 |
| Cos | | 0,72 |
| (IEC 85): | | F |
| Enclosure class (IEC 60529): | | X4D |
| | | CONTACT |
| | | 1.30H |
| | | 19.1 |
| | | 19.5 |
| | | 0.029 ³ |



96401944 UPS 40-120 F 50



96401944 UPS 40-120 F 50

