

1 UPS 40-180 F



: 96401979

* 3
*
*
*
*
*
*

-3-

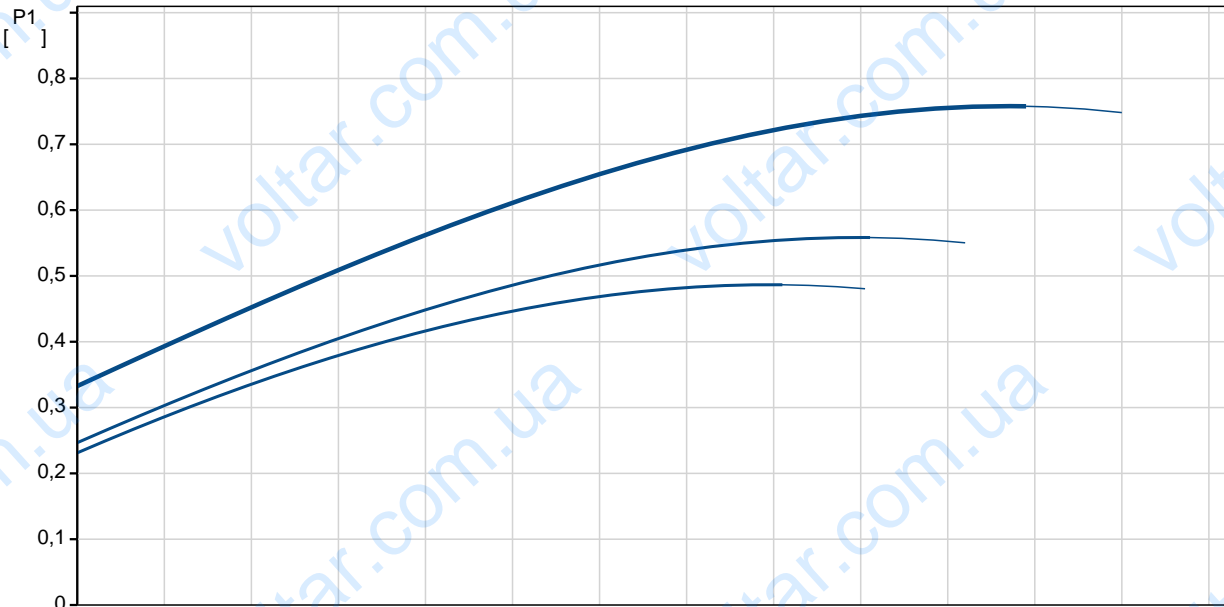
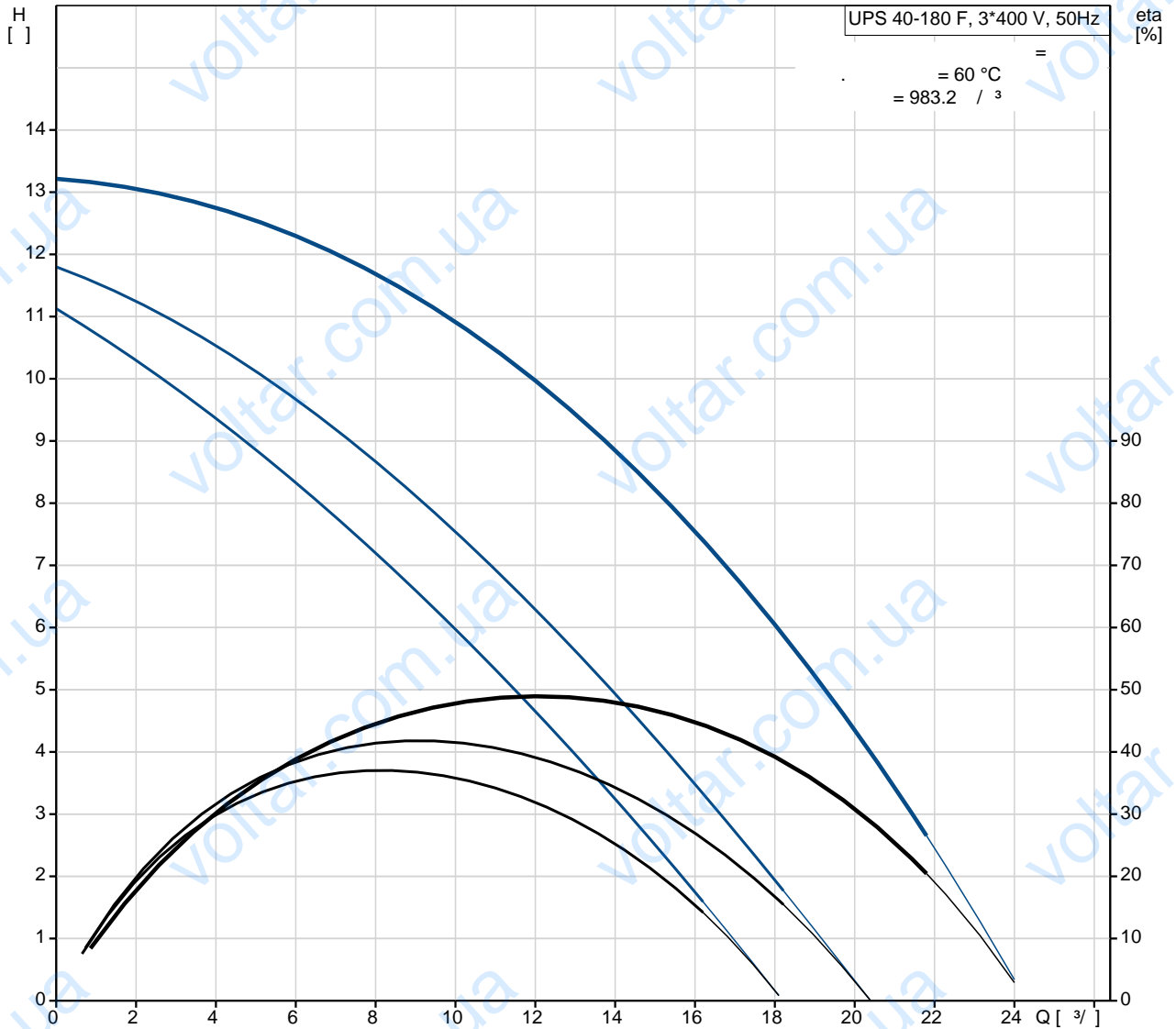
: -10 .. 120 °C
60 °C
983.2 / 3

: AAA,EAC

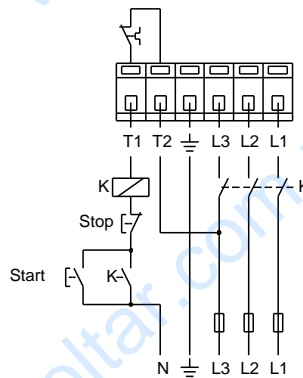
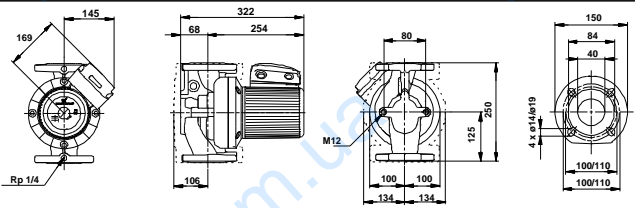
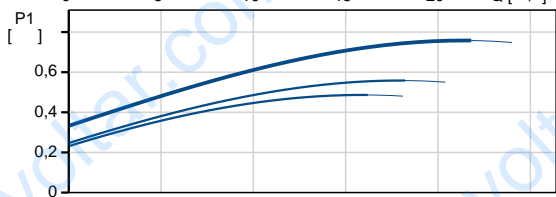
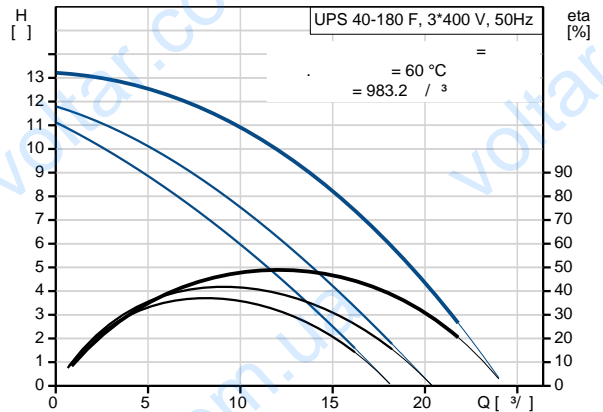
EN-JL1040
ASTM 35 B - 40 B

DIN W.-Nr. 1.4301
AISI 304

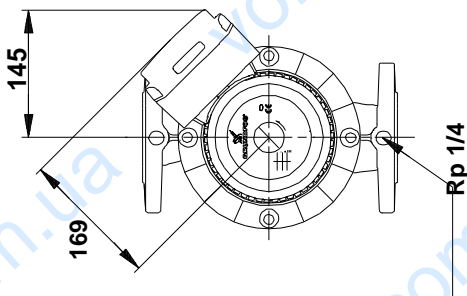
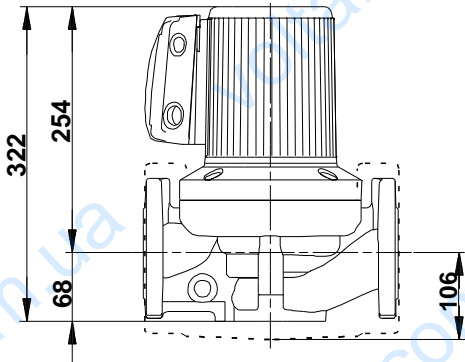
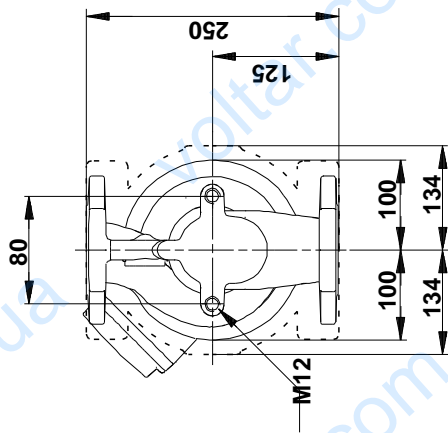
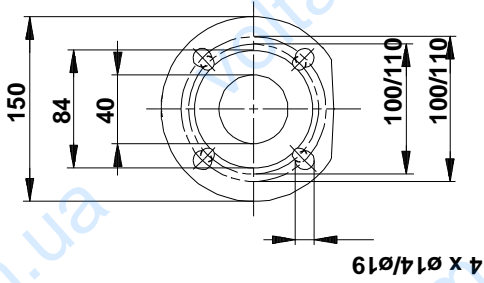
96401979 UPS 40-180 F 50



UPS 40-180 F	96401979
EAN	5708601059056
	3
	180
	AAA,EAC
	EN-JL1040
	ASTM 35 B - 40 B
	DIN W.-Nr. 1.4301
	AISI 304
	0 .. 40 °C
	10
	DIN
	DN 40
	PN 6 / PN 10
	250
	-10 .. 120 °C
	60 °C
	983.2 / ³
1:	490
2:	570
	770
	50 Hz
	3 x 400-415 V
1:	0.82 A
2:	0.94 A
3:	1.3 A
Cos 1:	0,86
Cos 2:	0,86
Cos :	0,85
(IEC 85):	H
Enclosure class (IEC 60529):	X4D
	CONTACT
	1.30H
	22.6
	22.8
	0.034 ³



96401979 UPS 40-180 F 50



96401979 UPS 40-180 F 50

