

1

UP 15-14 BU 80



96433884

2-

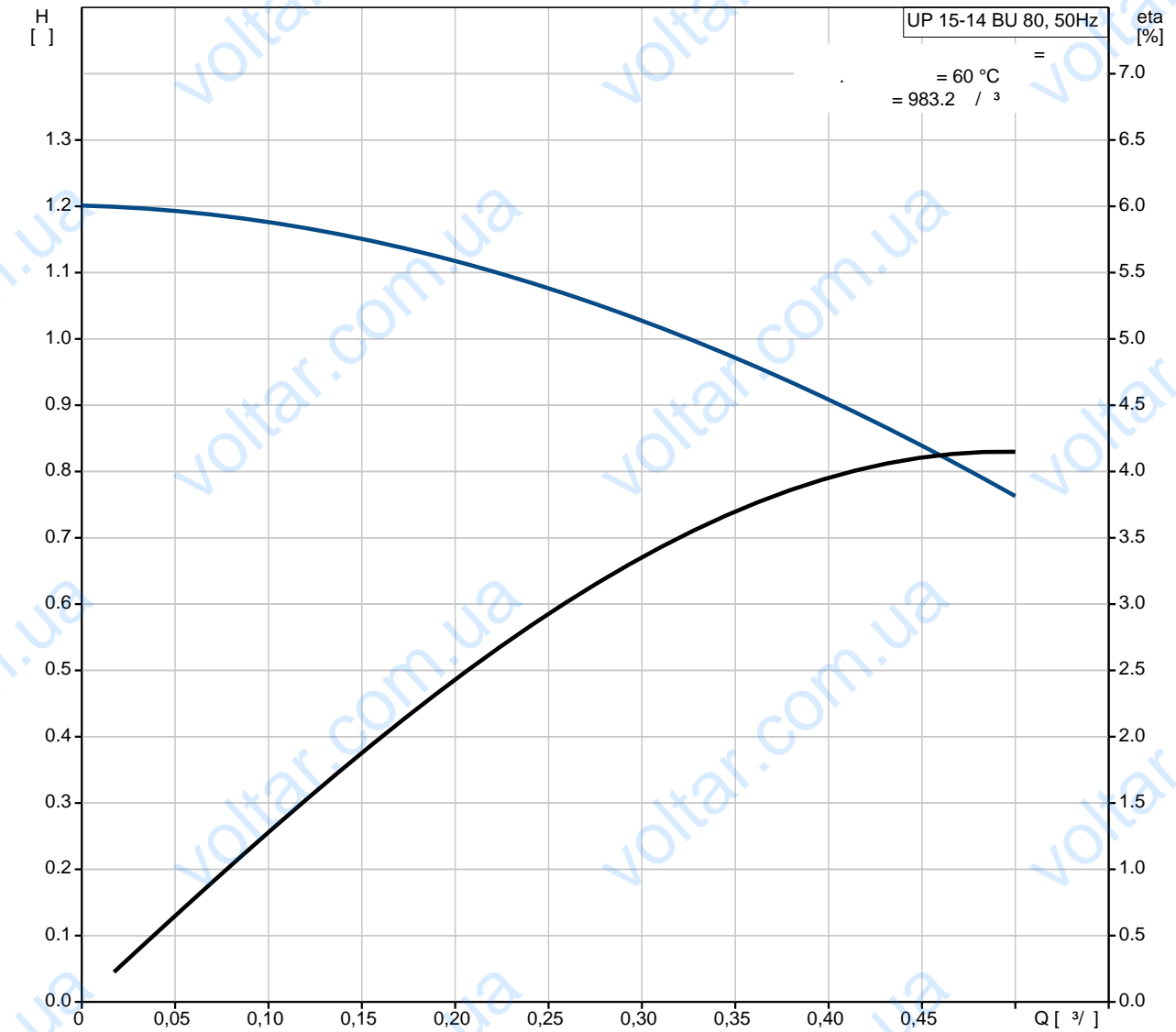
: EN 60335-1 EN 60335-2-51.

20

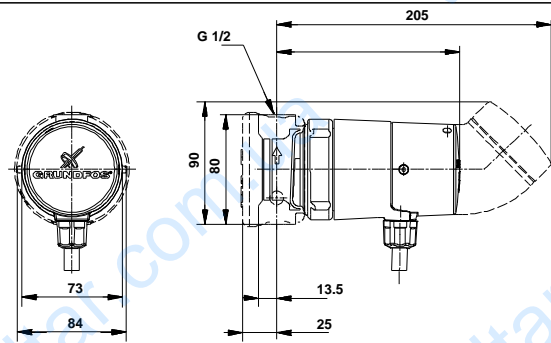
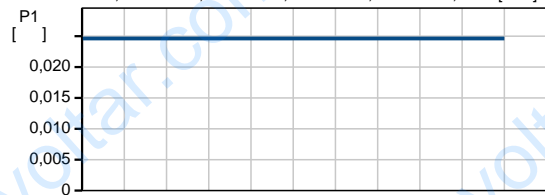
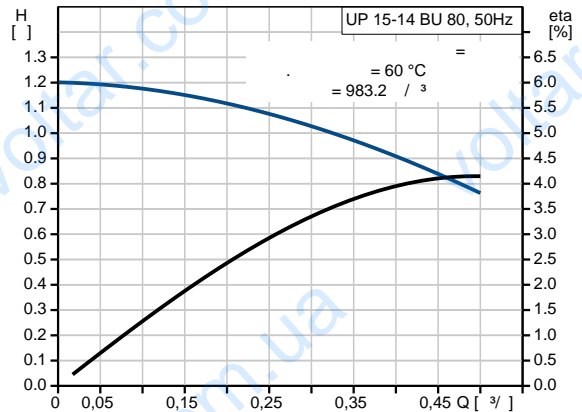
24



96433884 UP 15-14 BU 80 50

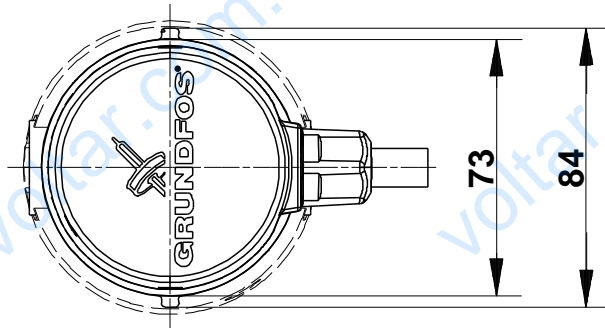
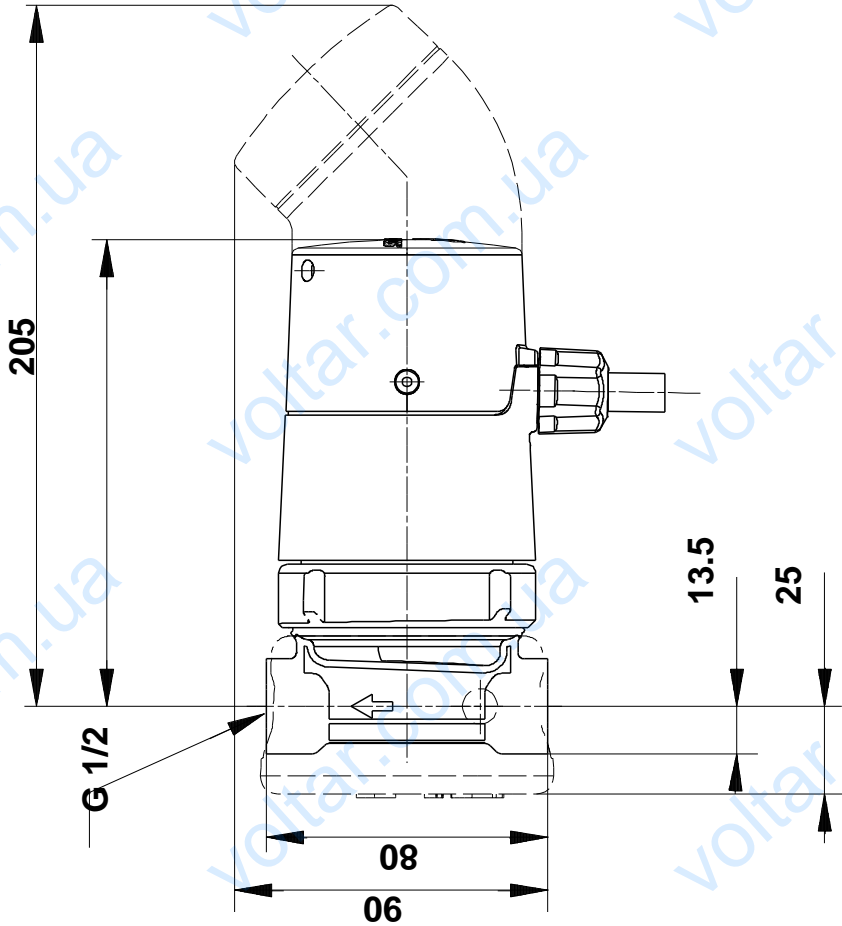


		UP 15-14 BU 80
		96433884
EAN		5700393609556
		1
		14
TF		95
		CE, VDE, EAC
		MS 68
		EPDM, PPO,
		10.2
		G 1/2
		80
		2 .. 95 °C
		60 °C
		983.2 / ³
C		0.6
		3: 25
		50 Hz
		1 x 230 V
		0.11 A
		0.6
(IEC 34-5):		IP42
(IEC 85):		F
		1.15
		1.31
		0.003 ³



GRUNDFOS

96433884 UP 15-14 BU 80 50



96433884 UP 15-14 BU 80 50

