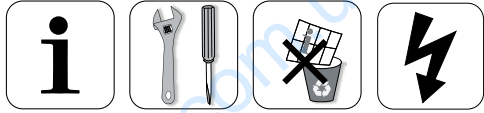


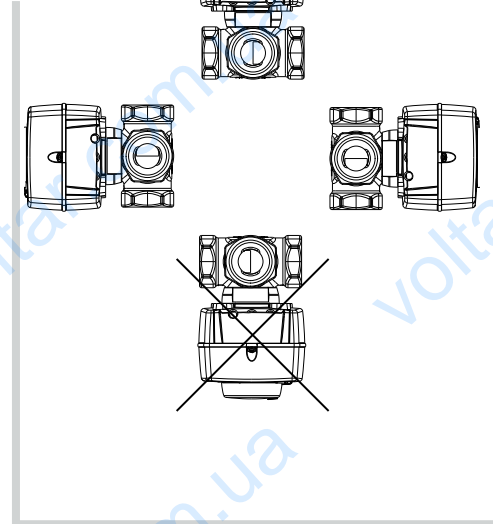
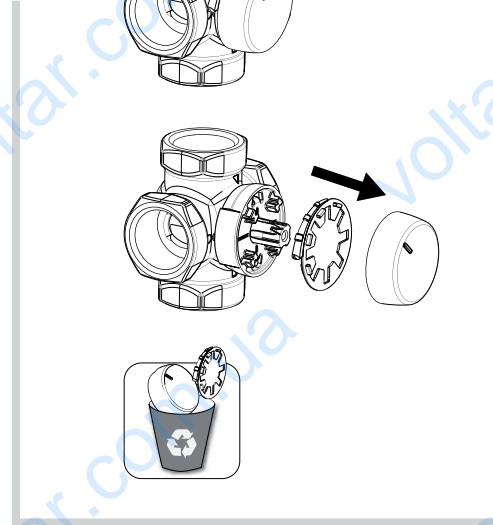
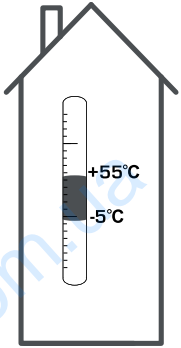
# ESBE SERIES ARA600 3-Point



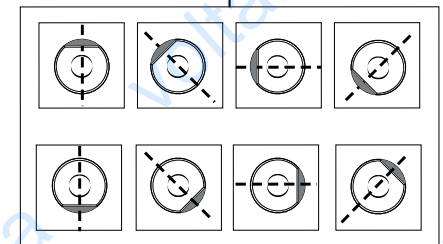
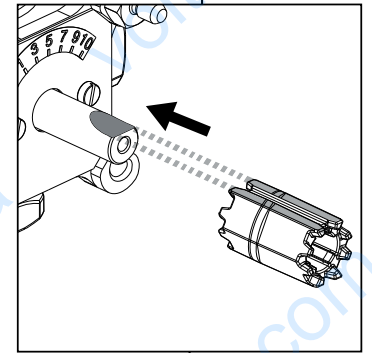
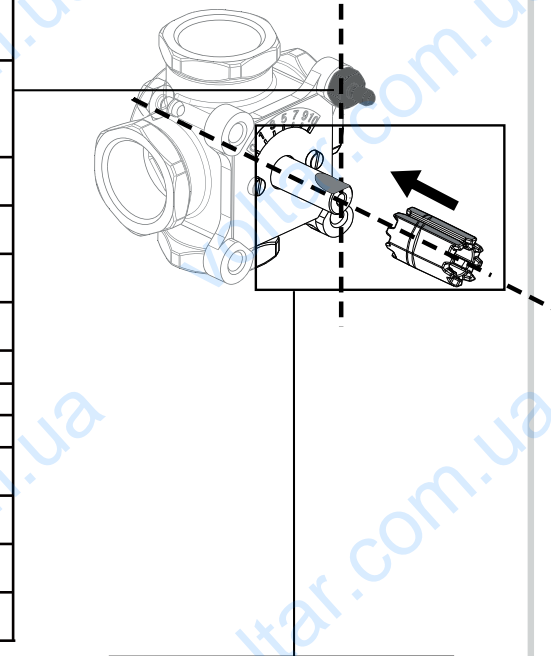
Series ARA6x1  
Series ARA6x2  
Series ARA6x3  
Series ARA6x4

CE

LVD 2006/95/EC  
EMC 2004/108/EC  
RoHS 2011/65/EC



MG, G, F, H, HG, BIV, T, TM		
	DN15-25	
	DN20-40	
	DN50	
	DN20-25	
	DN32-50	
	H: DN25	
	H: DN32-50	
	HG: DN25	
	DN20-22	
	DN25	
	T: DN20-32	
	TM: DN20	



+



VRG, VRB, VRH

3MG, 4MG



3G, 4G

3F, 4F ≤ DN50

3HG, 4HG, 3H, 4H

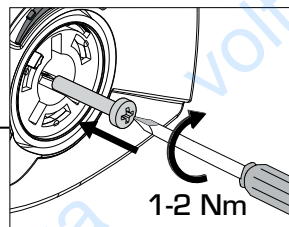
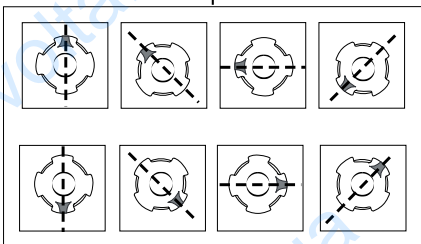
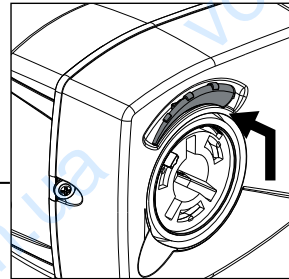
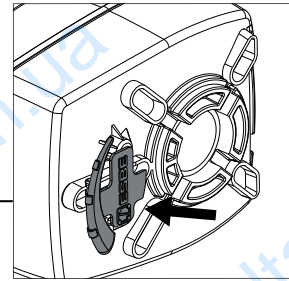
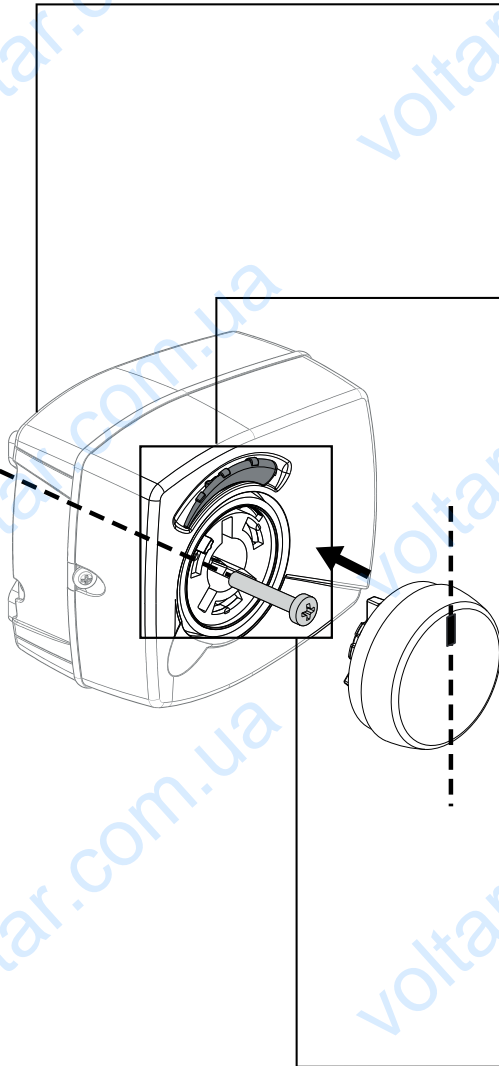
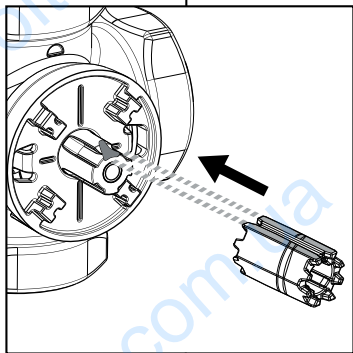
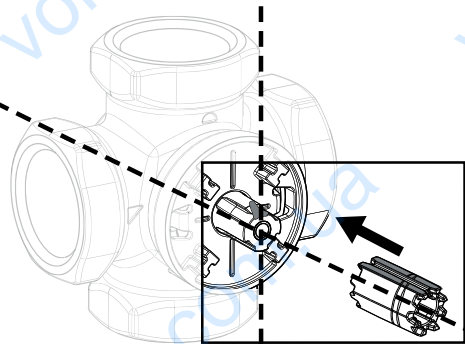


BIV



T, TM

**VRG130, VRG140, VRG230,  
VRG330, VRB140, VRH130**



**ESBE**  
www.esbe.eu

Mtrl.n: 9814 02 75 • Prit.n: 8081 utg. G • Rev. 1501



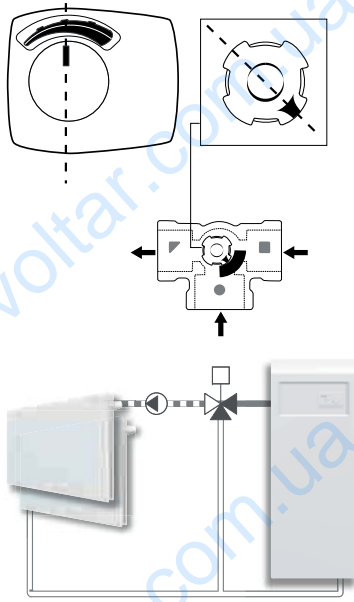
**SERIES ARA600 3-Point**

**ESBE**

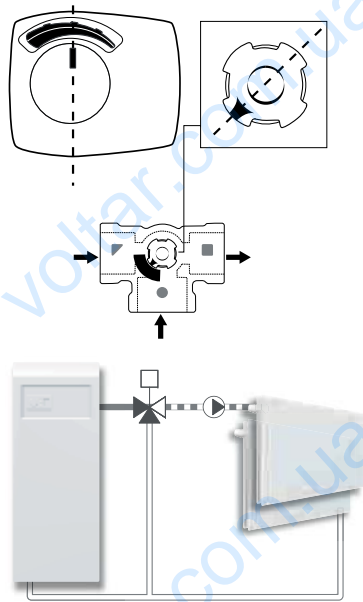
NO.1 IN HYDRONIC SYSTEM CONTROL

**SERIES VRG130**

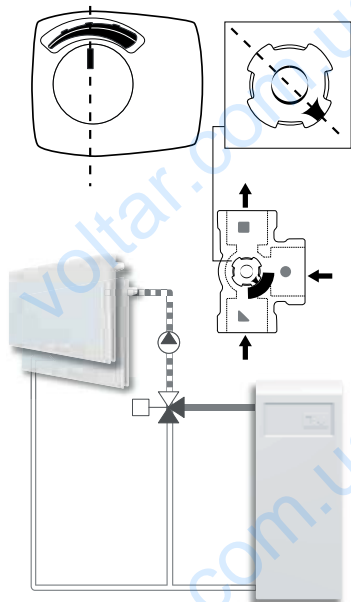
**a**



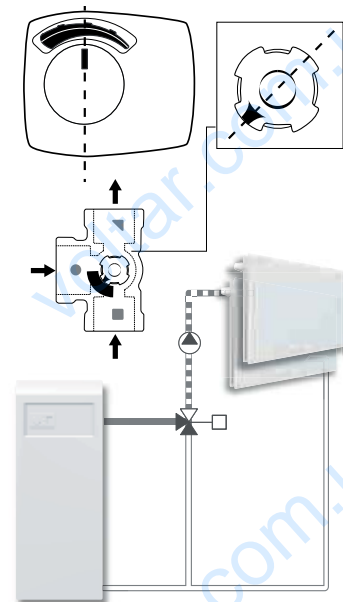
**b**



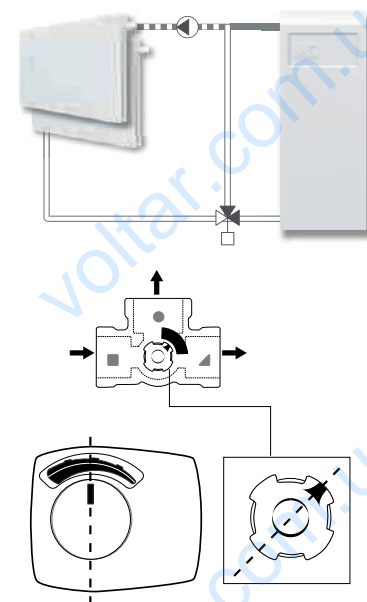
**c**



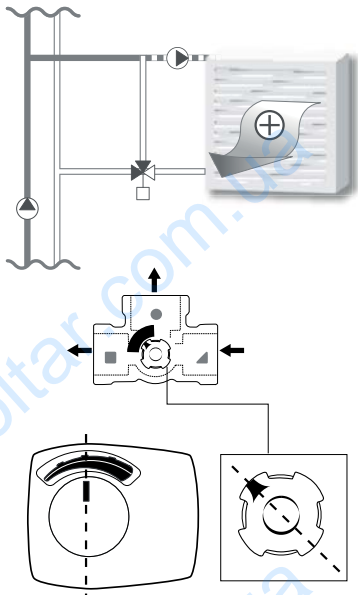
**d**



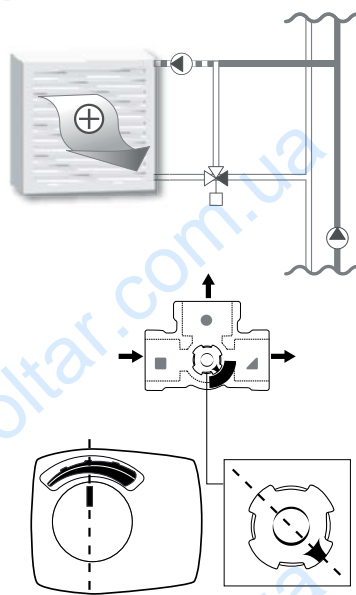
**e**



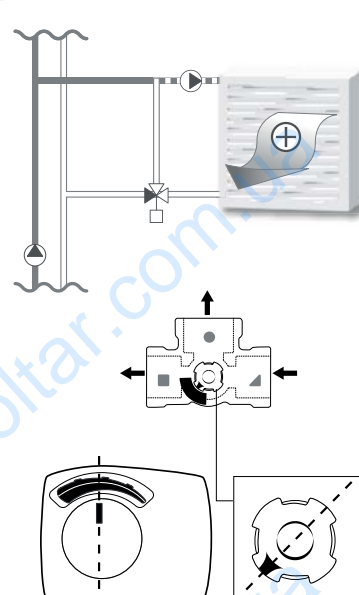
**j**



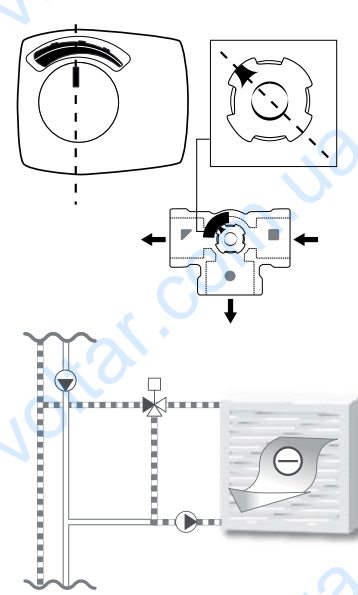
**k**



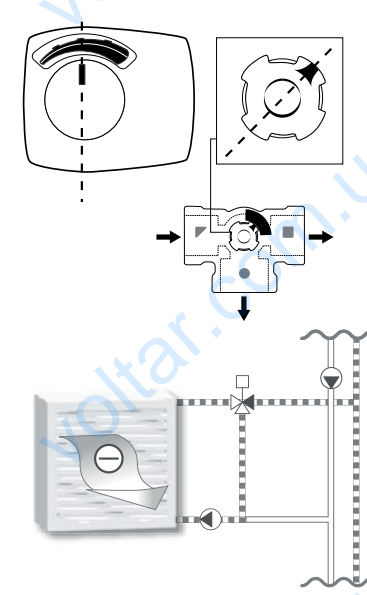
**l**

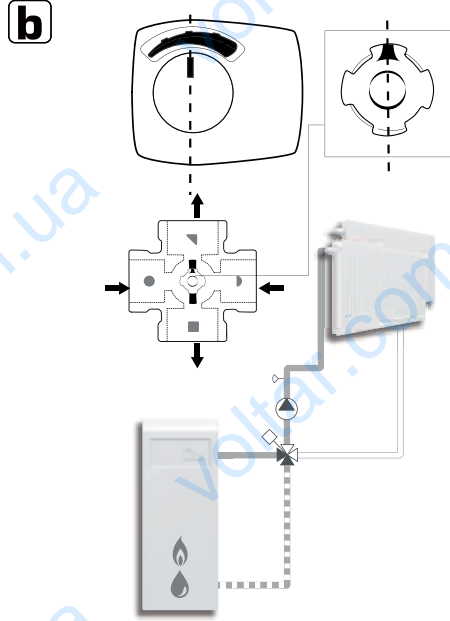
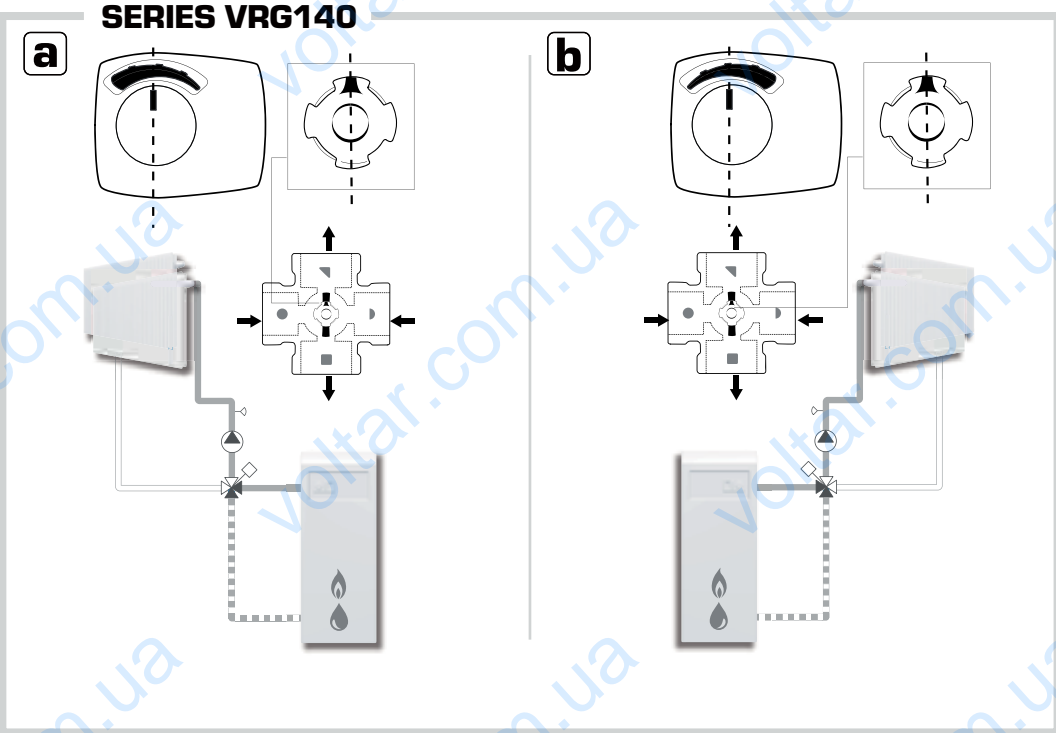
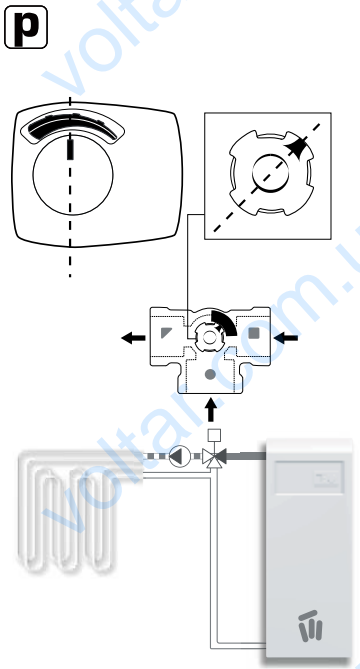
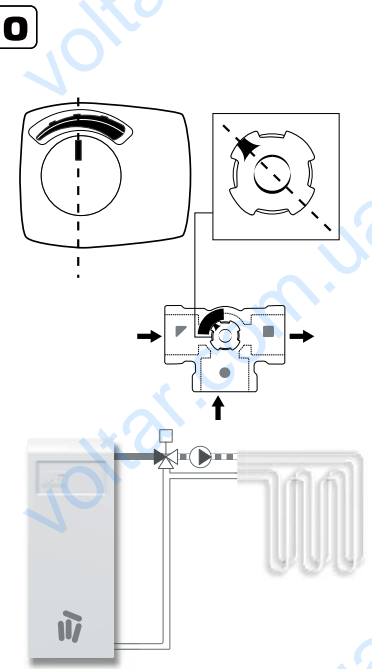
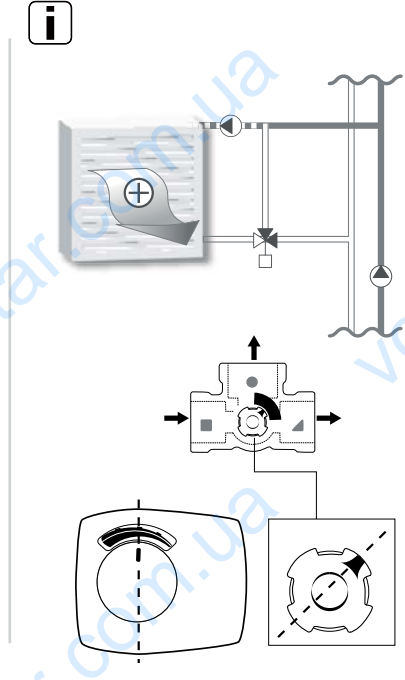
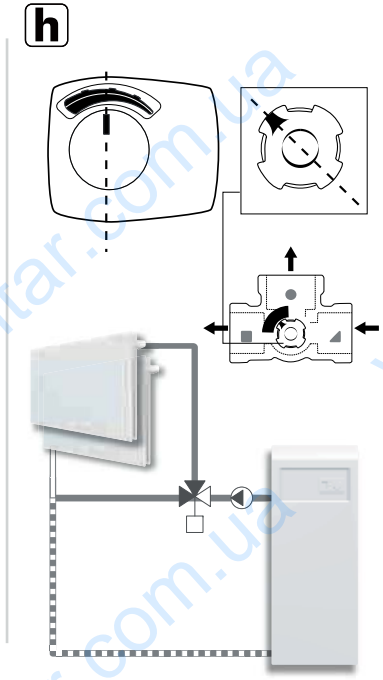
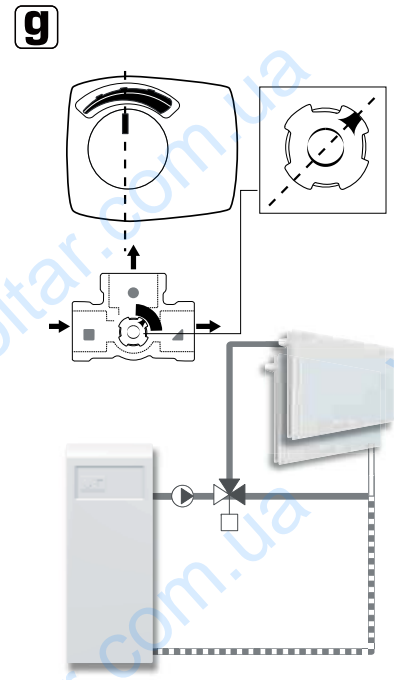
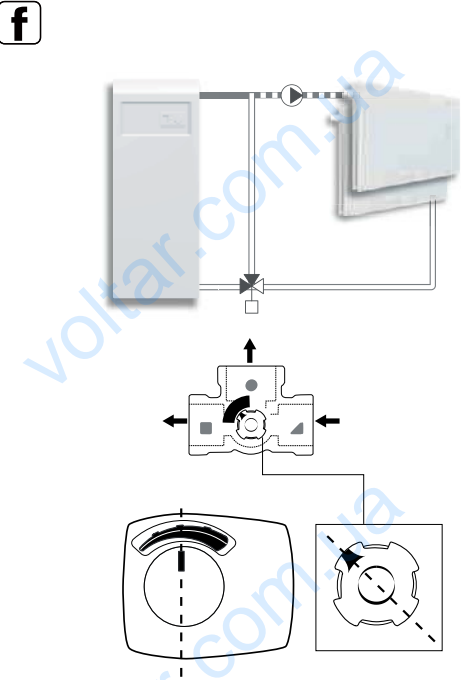


**m**

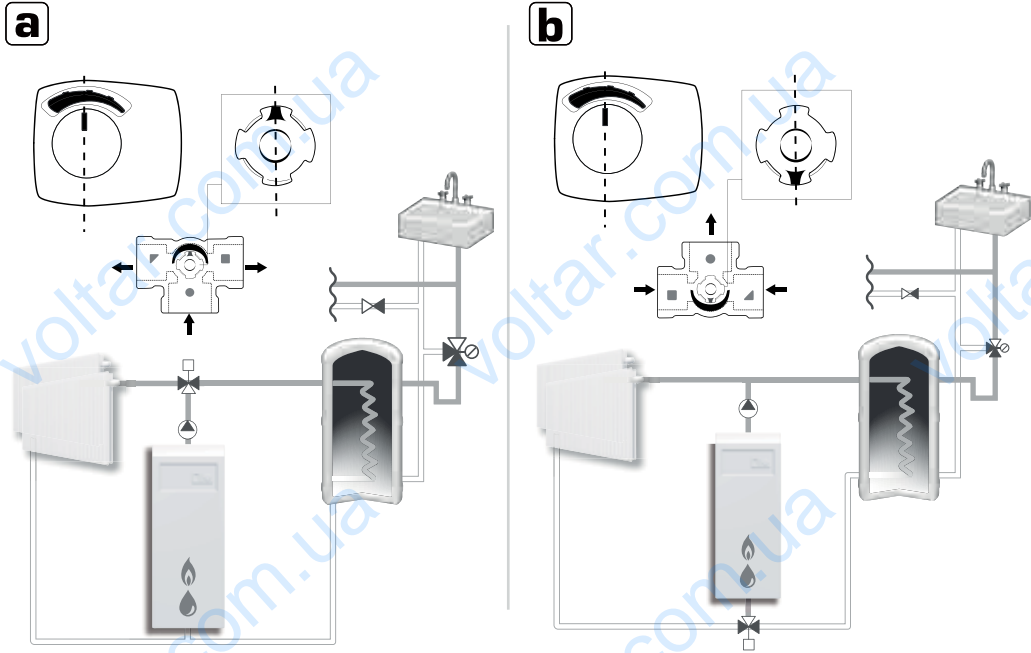


**n**

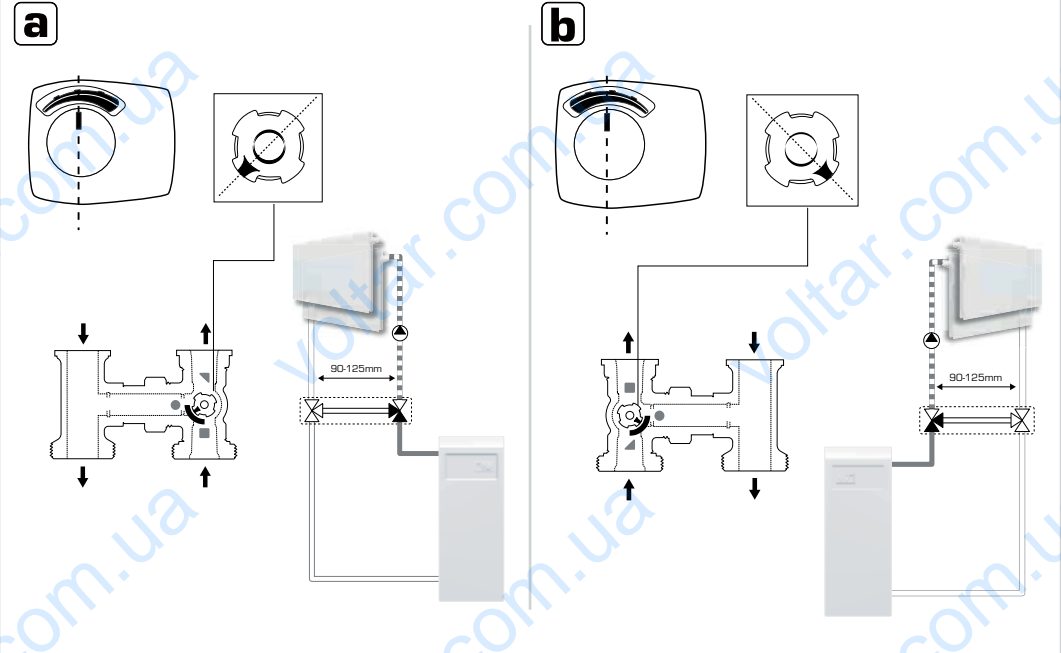




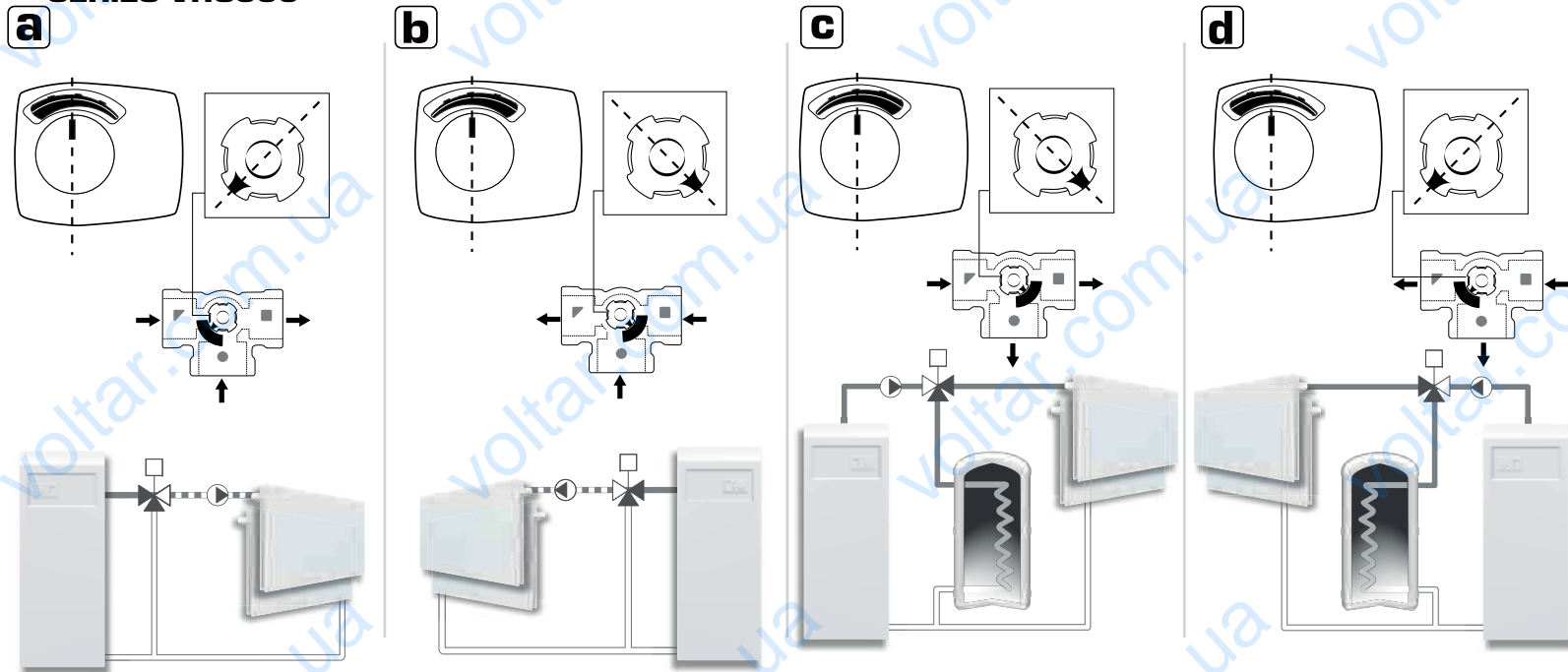
### SERIES VRG230



### SERIES VRH130

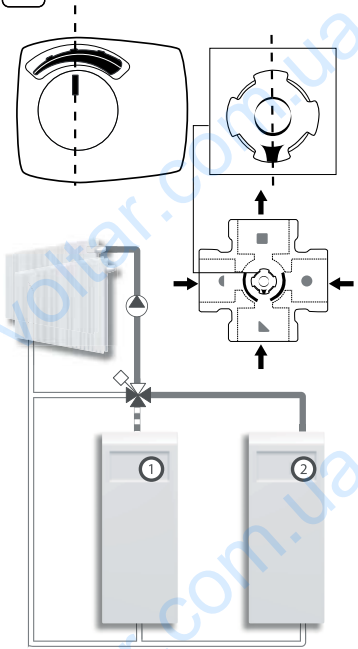


### SERIES VRG330

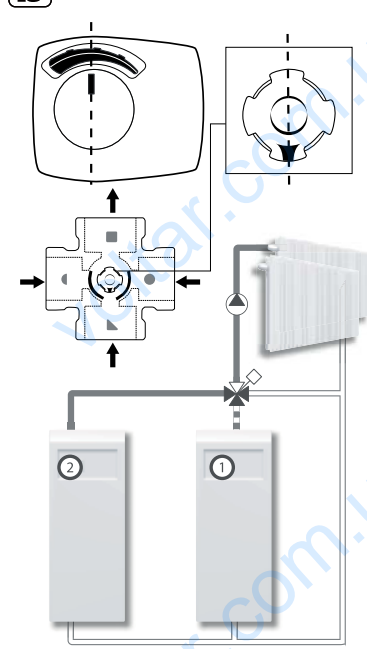


**SERIES VRB140**

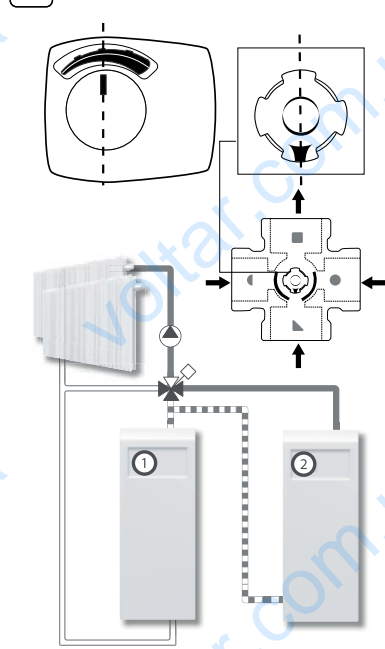
**a**



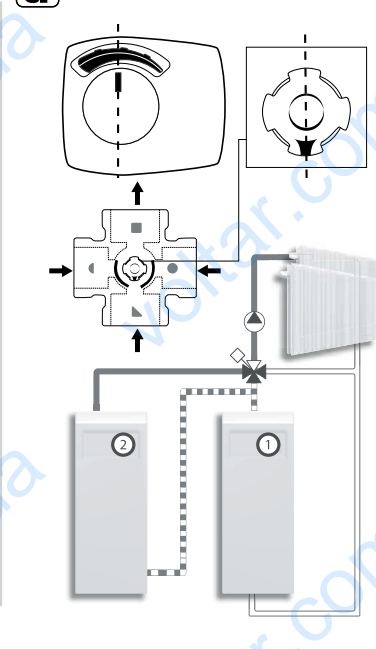
**b**



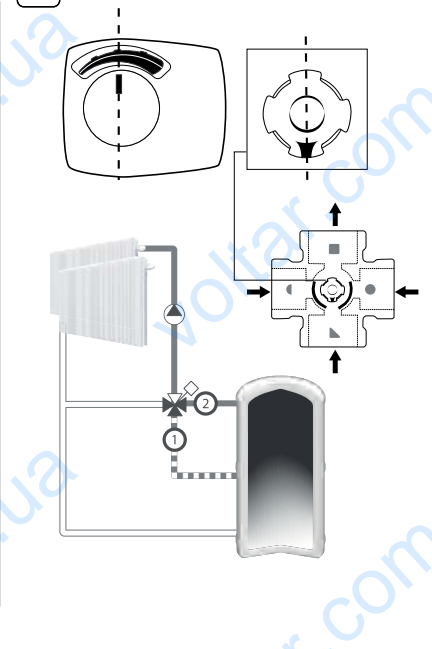
**c**



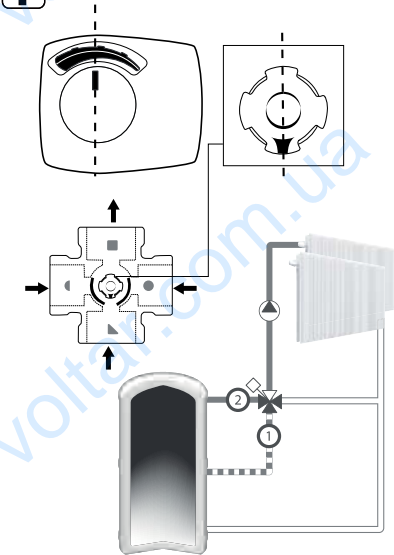
**d**



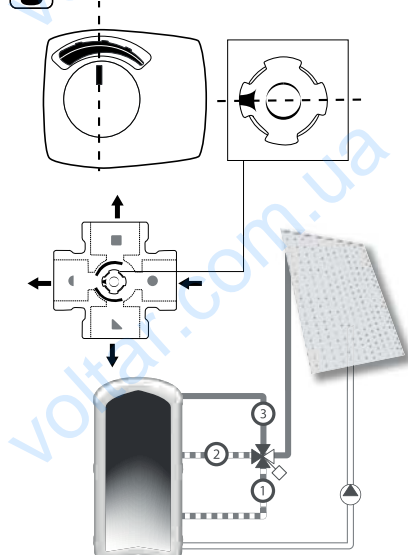
**e**



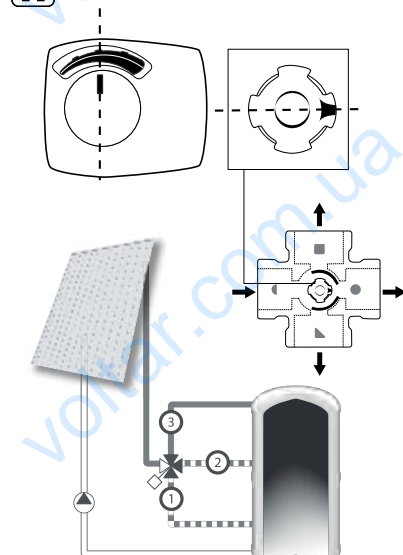
**f**



**g**



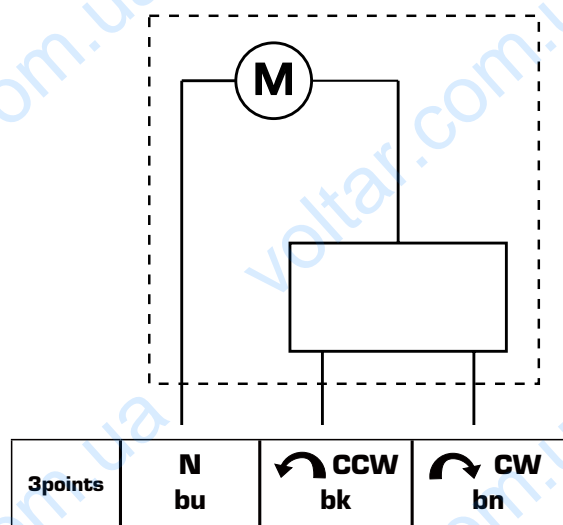
**h**



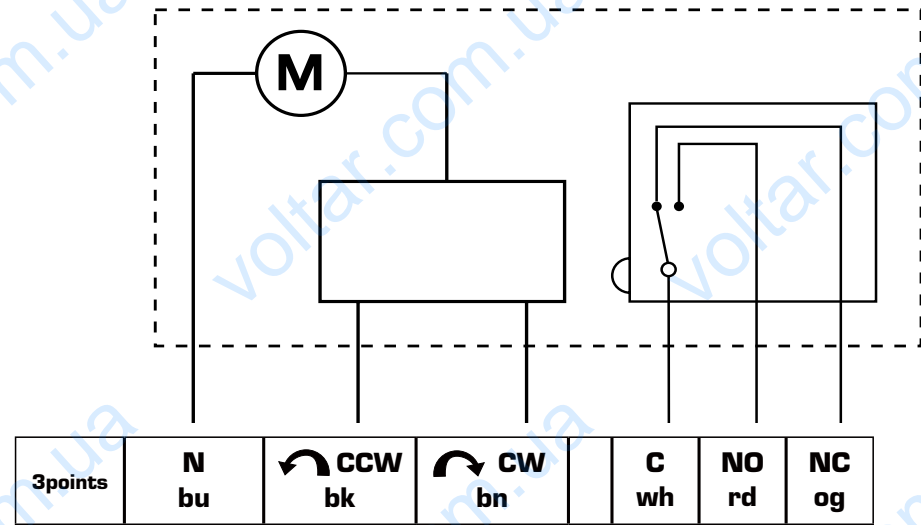
*"We would like to pinpoint to the existence of a German patent DE 1982 125605 affecting the usage of bivalent 4-way valves in liquid circulation heating systems. In this patent the usage of a 4-way bivalent valve in a type of heating system is protected, in which 2 different heating circuits are operated in parallel, where the return of the first circuit is utilized as heat source for the parallel second heat circuit. A typical application would be a primary heat circuit with a heat source and a parallel floor heating, where the floor heating in a regulated manner is heated through its heat source and the return from the primary heat circuit is utilized as alternative secondary heat source for the floor heating. Such a utilization of our bivalent 4-way valve without approval of the patent holder is forbidden. All other applications our product group VRB are without restrictions possible."*



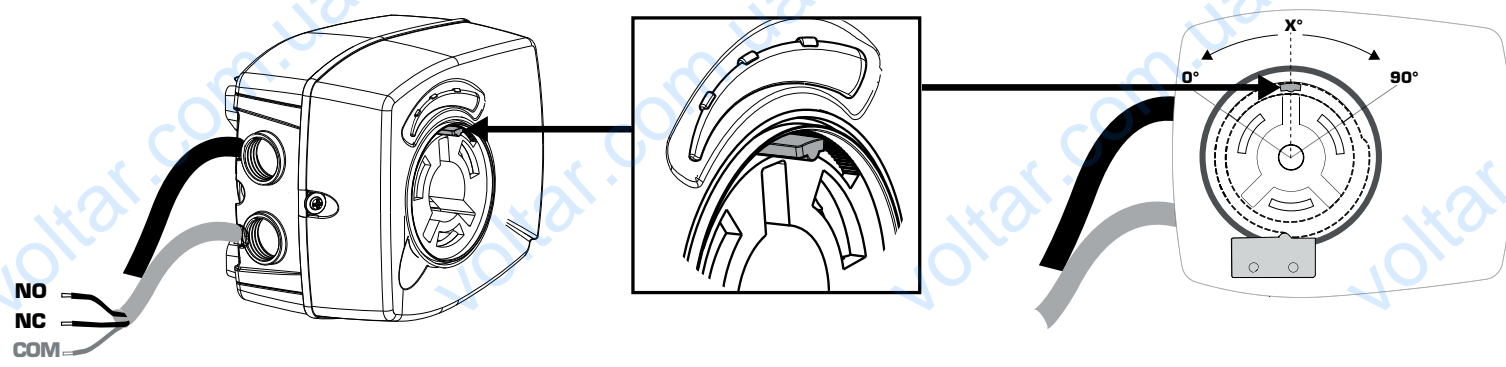
### Series ARA6x1, ARA6x3



### Series ARA6x2, ARA6x4



### Series ARA6x2, 6x4



	0° - (90° - x°)	(90° - x°) - 90°
NO		
NC		
	X° = 45°	

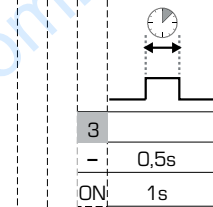
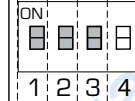
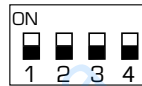
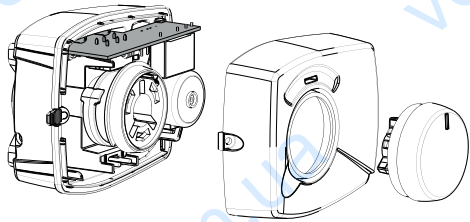
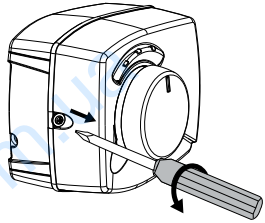
Series ARA69x



1



2



1	2	
-	-	120s
-	ON	240s
ON	-	480s
ON	ON	1200s



2

