

Data Sheet

Automatic air ventilation valve

Application



The automatic air vent is designed to divert air accumulations from pipelines and air collectors of internal building heat supply systems (systems heating, heat supply of ventilation units, air conditioners, collectors, etc.).

When filling the body of the air vent with liquid, the float rises and closes the air outlet through the lever. With the accumulation of sufficient amount of air in the body (or when the system is draining, when water begins to be removed from the pipeline), the float goes down and the air outlet opens.

Ordering

Description	Type	Code no.
Automatic air ventilation valve with built-in non-return valve	SSM-AV	088U0945

Installation

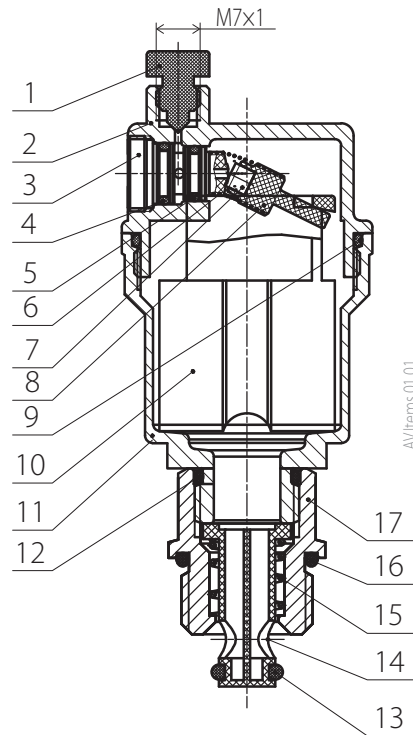
The automatic air vent should be installed at the highest point of the piping system or on the air intake in a vertical position. Between the air vent and the pipeline (air collector) it is recommended to provide for the installation of a ball shut-off valve.

Air vent installation should be done using a wrench and standard sealing materials. Before installing the air vent, the piping system must be flushed. After installing the air vent, the safety cap located on the device cover must be unscrewed half a turn.

Technical data

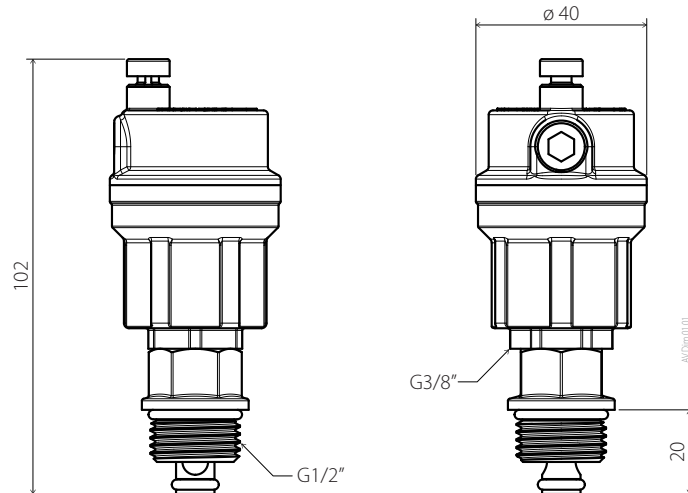
Material	Brass, nickel plated
Max. operating temperature	115 °C
DN, mm	10
PN, bar	10
Air vent connection size	G 3/8
Non-return valve connection size	G 1/2
Max. glycol concentration	40 %

Design



#	Name	Material
1	Exhaust valve screw	Plastic
2	Exhaust valve pressure cap	Brass, nickel plated
3	Service plug	Plastic
4	O-ring	EPDM
5	O-ring	EPDM
6	Spring	Stainless steel
7	Rubber gasket	Silicone rubber
8	Tie rod	Plastic
9	O-ring	EPDM
10	Counterweight	PP
11	Nickel-plated exhaust valve body	Brass
12	O-ring	EPDM
13	O-ring	EPDM
14	Jack	PP
15	Spring	Stainless steel
16	O-ring	EPDM
17	Connecting nut	Brass, nickel plated

Dimensions



Danfoss A/S

Heating Segment • danfoss.com • +45 7488 2222 • E-Mail: heating@danfoss.com

Danfoss can accept no responsibility for possible errors in catalogues, brochures and other printed material. Danfoss reserves the right to alter its products without notice. This also applies to products already on order provided that such alterations can be made without subsequent changes being necessary in specifications already agreed. All trademarks in this material are property of the respective companies. Danfoss and all Danfoss logotypes are trademarks of Danfoss A/S. All rights reserved.