

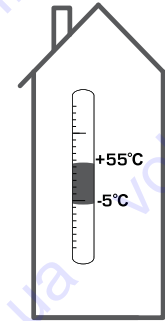
Series CRA111
Series CRA112

CE
LVD 2006/95/EC
EMC 2004/108/EC
RoHS 2002/95/EEC

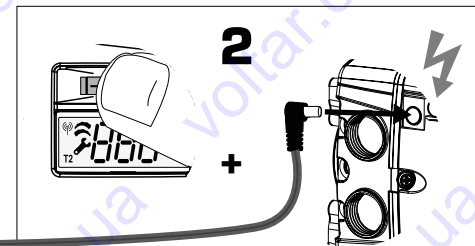
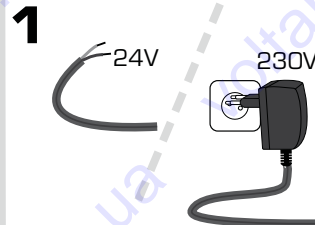
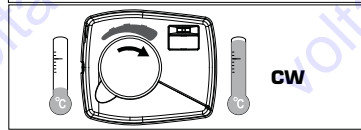
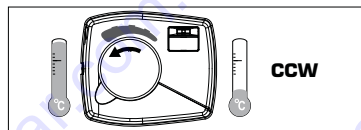
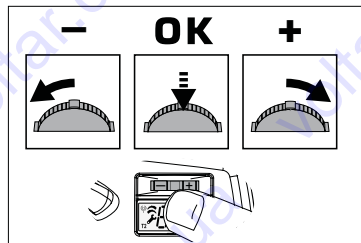
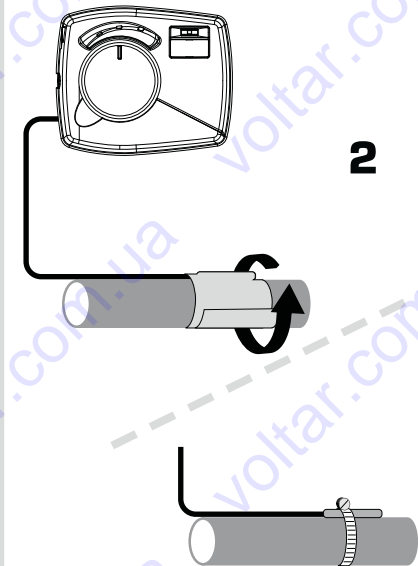
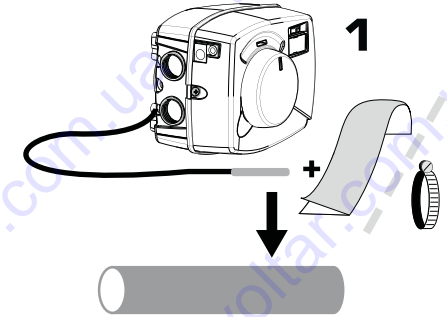
SERIES CRA110



NO.1 IN HYDRONIC SYSTEM CONTROL



Mtrl.nr: 9814 03 90 • Ritn.nr: 9210 utg. C • Rev. 1209



=



=

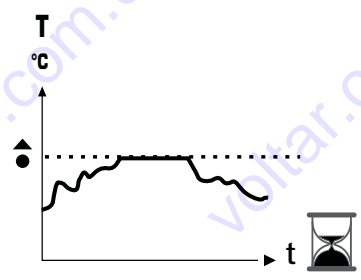
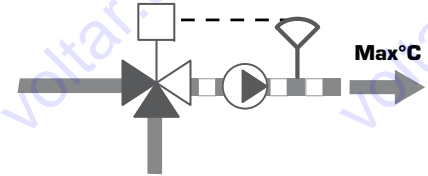


=

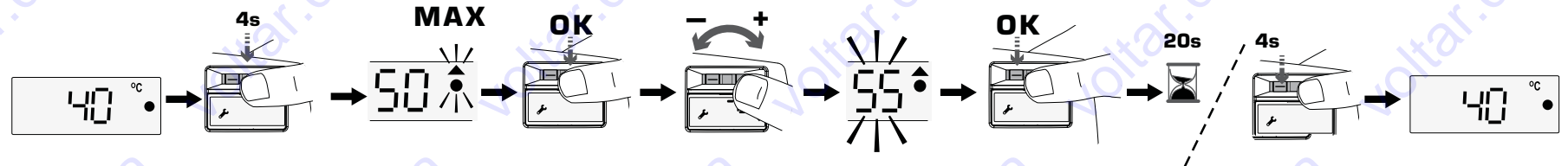




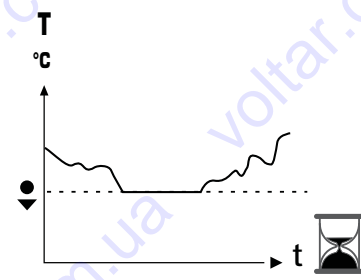
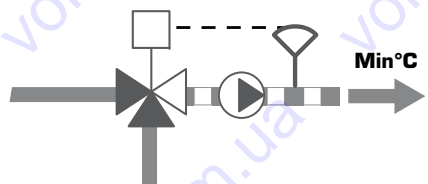
▲ = MAX



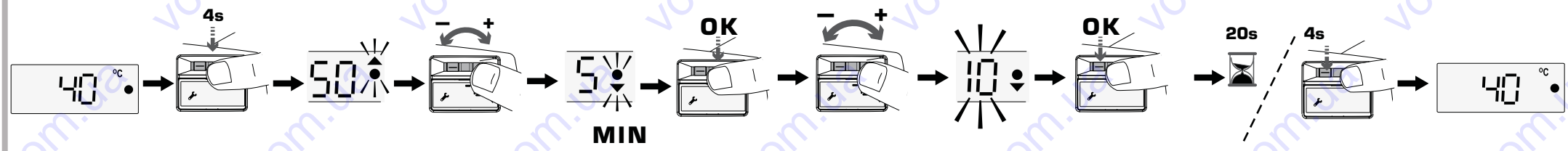
	50 °C
	~40 - 50 °C
	~60 - 80 °C
	60 °C



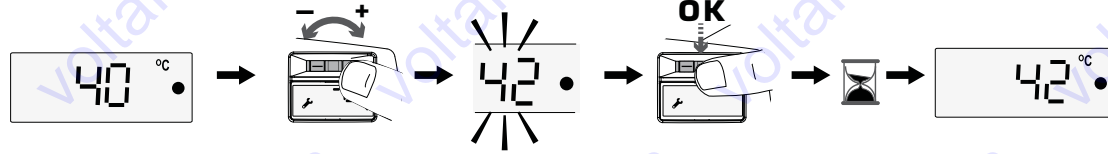
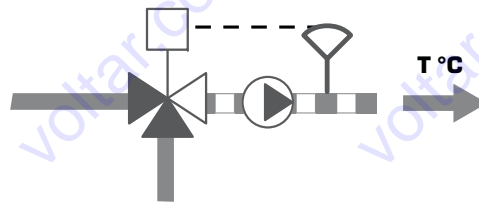
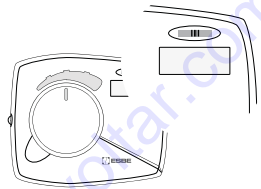
▼ = MIN



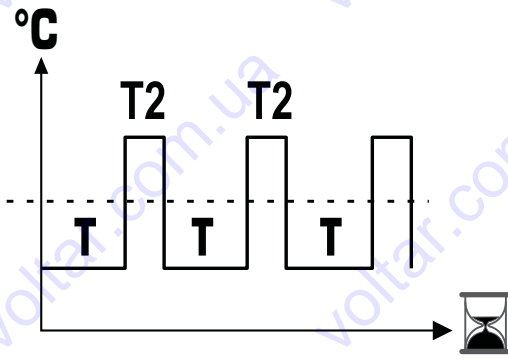
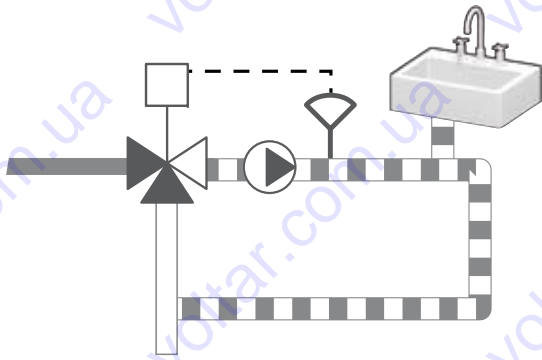
	5 °C
	~5 - 25 °C
	~5 - 25 °C
	~5 - 25 °C

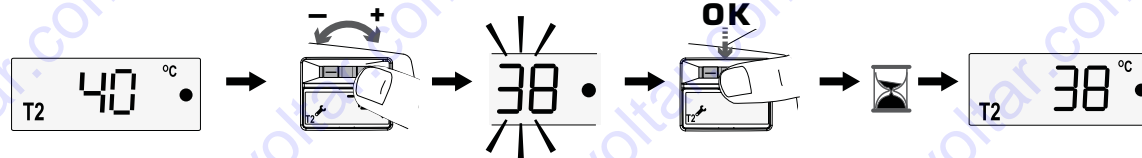
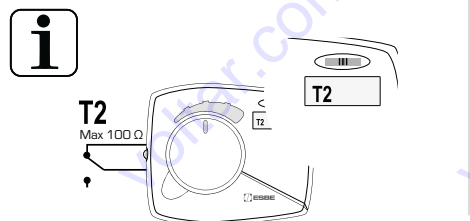
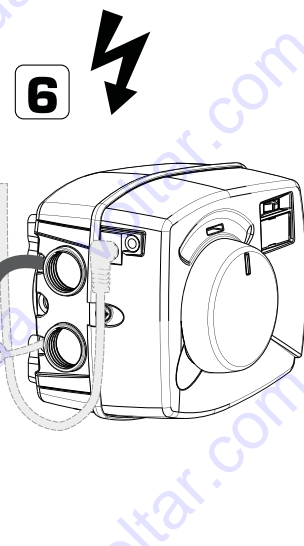
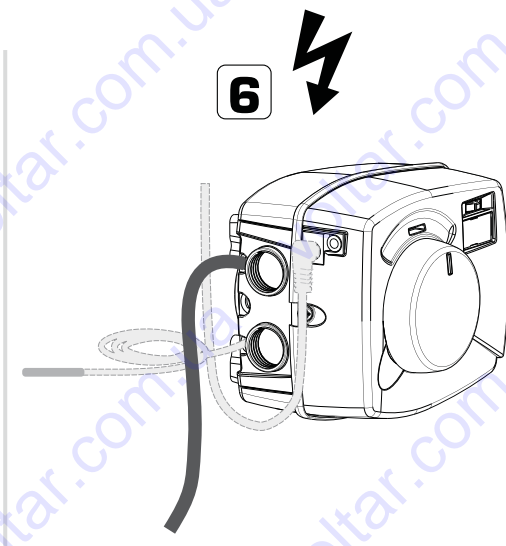
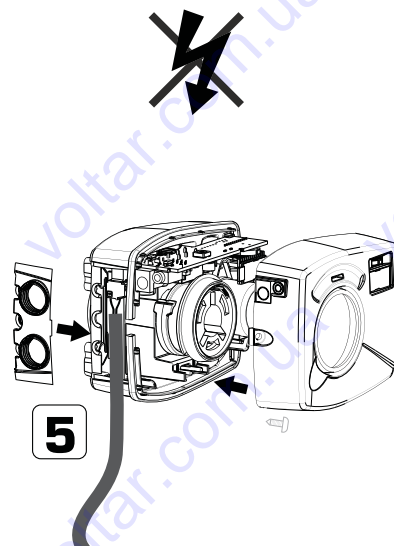
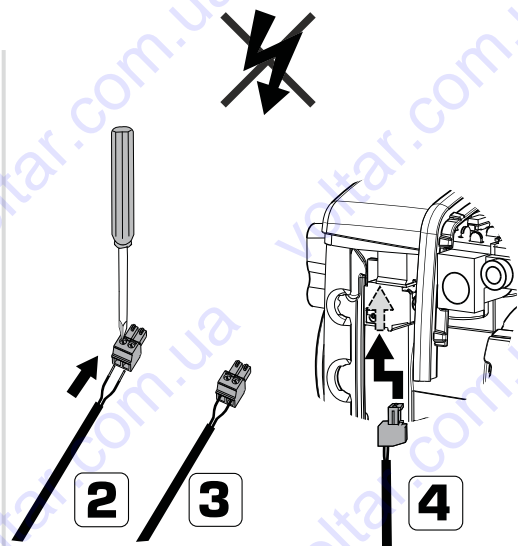
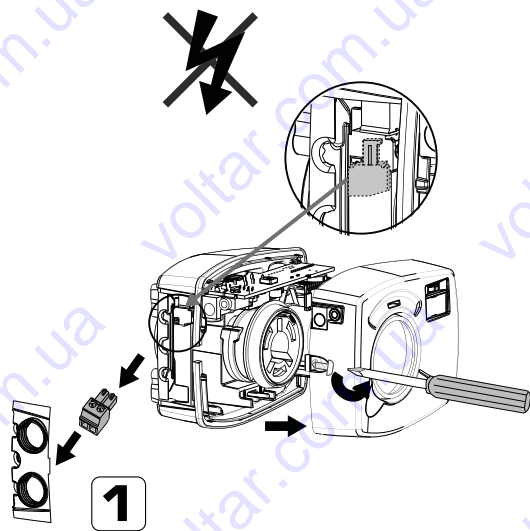


5  **T**



6  **T2**





T

