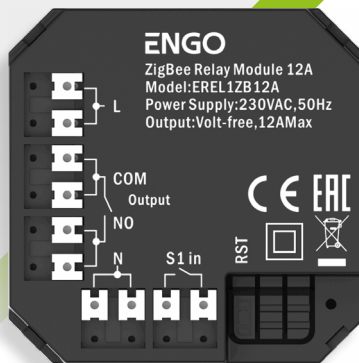


# EREL1ZB12A

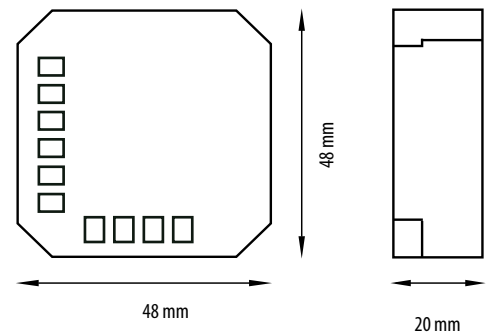
ZigBee Smart Relay, 1x12A, NO-COM out-put



## Technical Informations

The product is designed for an intelligent control of devices that require potential-free control. The voltage-free output makes it possible to control devices that require 230V. The size of the module allows it to be placed in a flush-mounted installation box. It can be used as a boiler control relay for a heating system ("normally open" output logic) or a heat pump. It operates according to programmed schedules or scenarios (e.g., operation dependent on the operation of other system components, such as a window/door sensor or temperature thermostat). The module can be controlled remotely (via smartphone and the Engo Smart/Tuya app) or locally with a bistable/monostable connector. In order to use this device, it is necessary to have a universal ZigBee 3.0 gateway.

Power supply	230V AC 50Hz
Max current	12A
Communication	ZigBee 3.0 2,4GHz
Dimensions [mm]	NO/COM (voltage free) 48x48x20



## Connection description:

