



www.esbe.se



SERIES LTC100



NO.1 IN HYDRONIC SYSTEM CONTROL

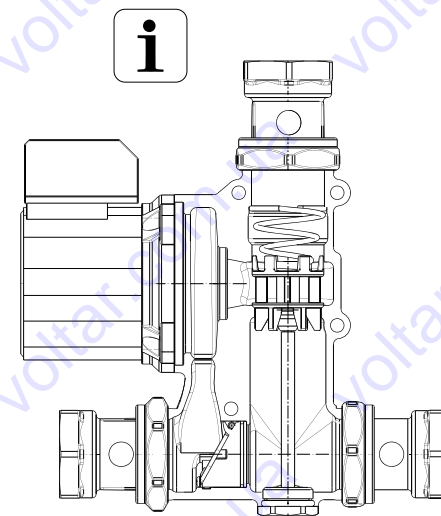
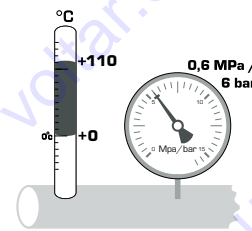
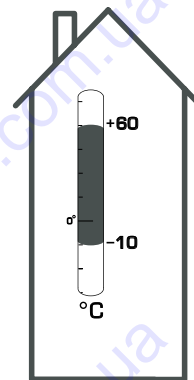
Mtrl.nr.9814 02 99 • Ritn.nr. 9145 utg. A • Rev. 0711



Series LTC141
Series LTC143
Series LTC171

CE

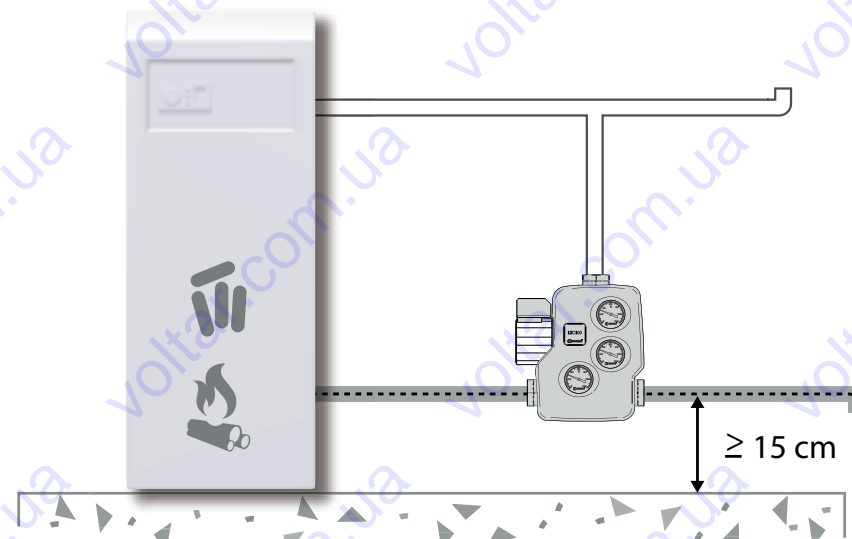
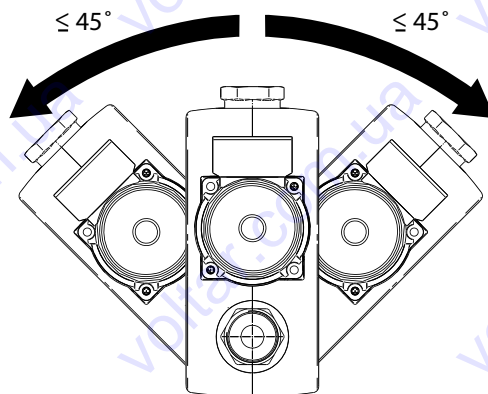
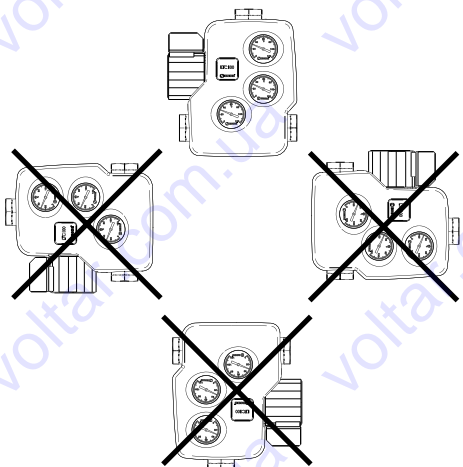
LVD 73/23/EEC
EMC 89/336/EEC
PED

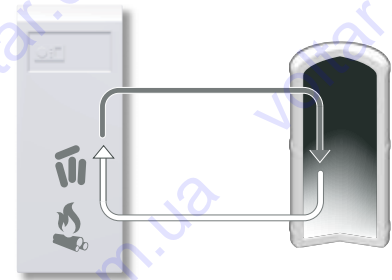
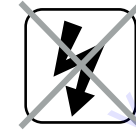
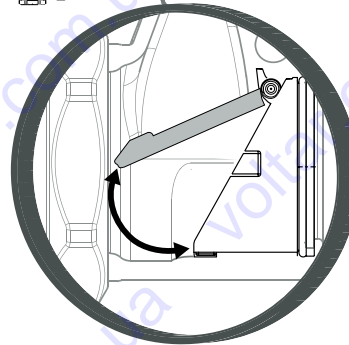
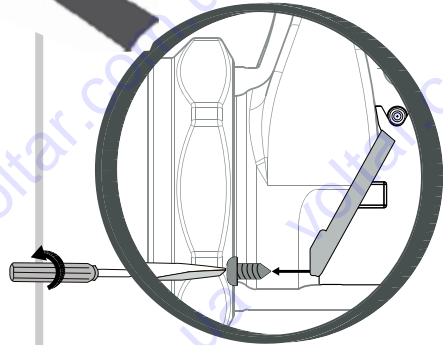
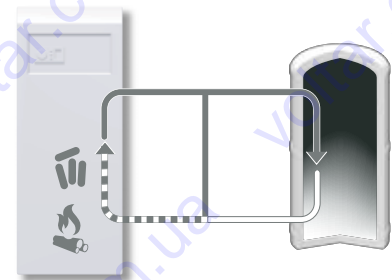
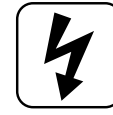
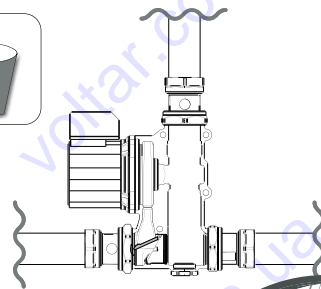
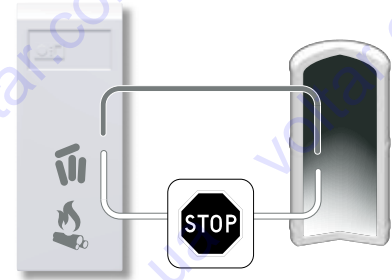
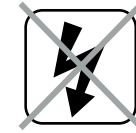
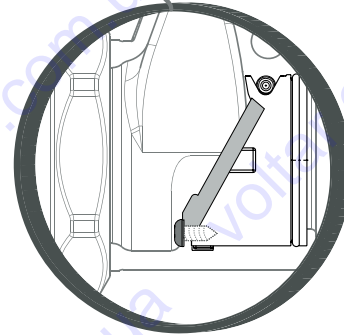
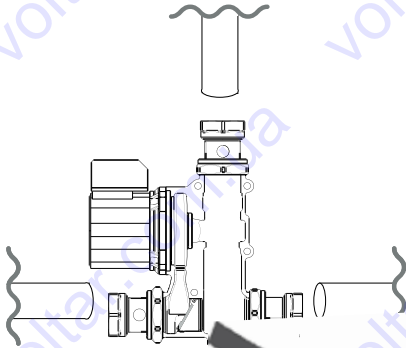
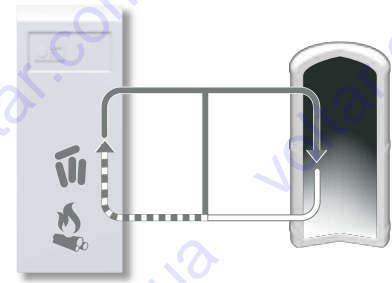
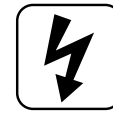
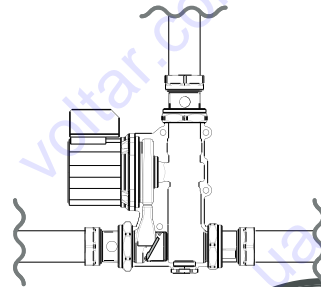


1

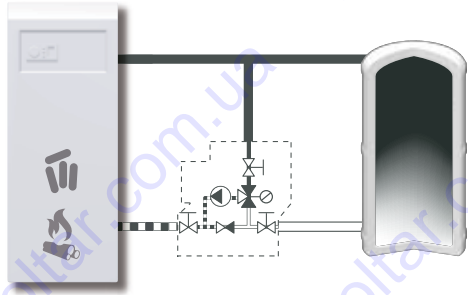
2

3

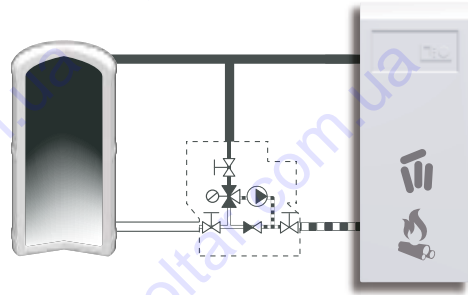




5a

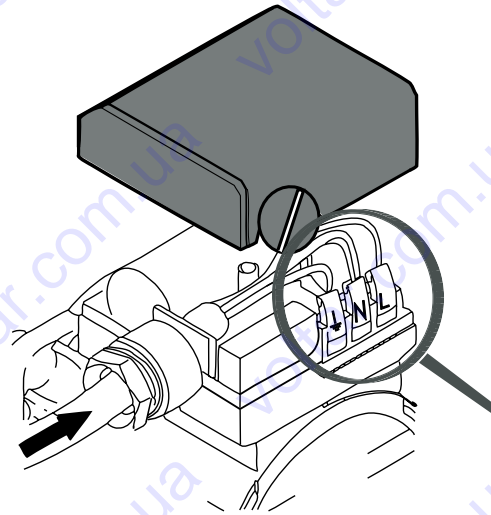


5b



230 VAC, 50Hz

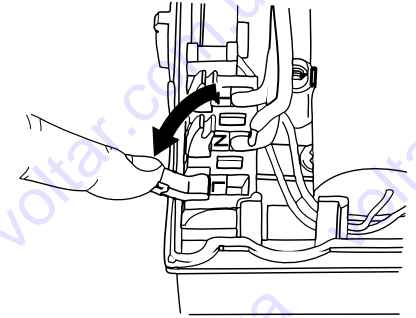
6a



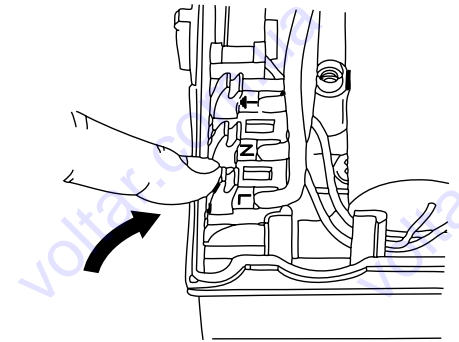
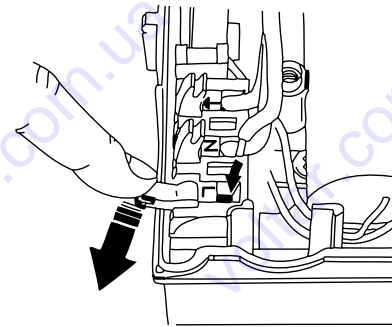
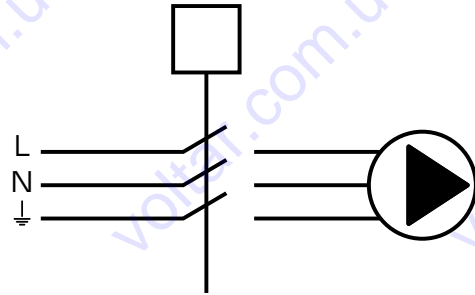
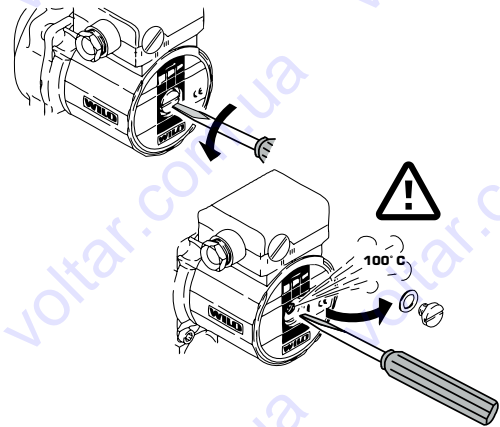
6c

6b

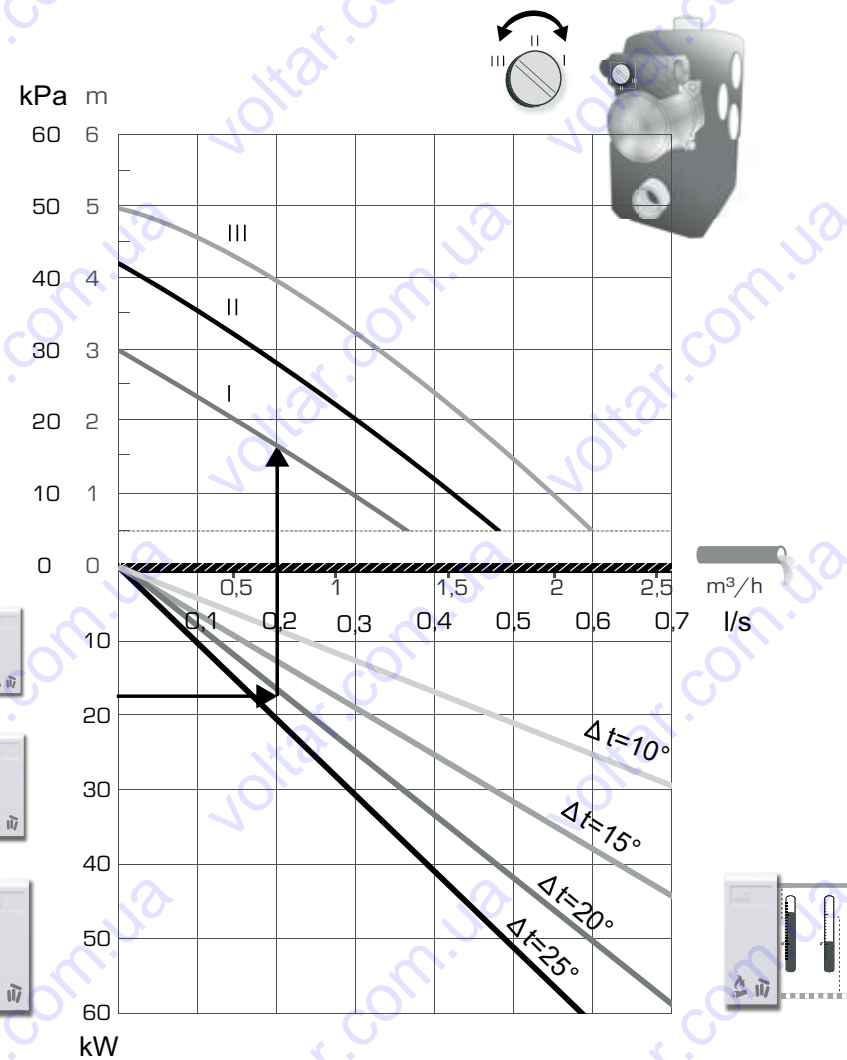
230 VAC, 50Hz



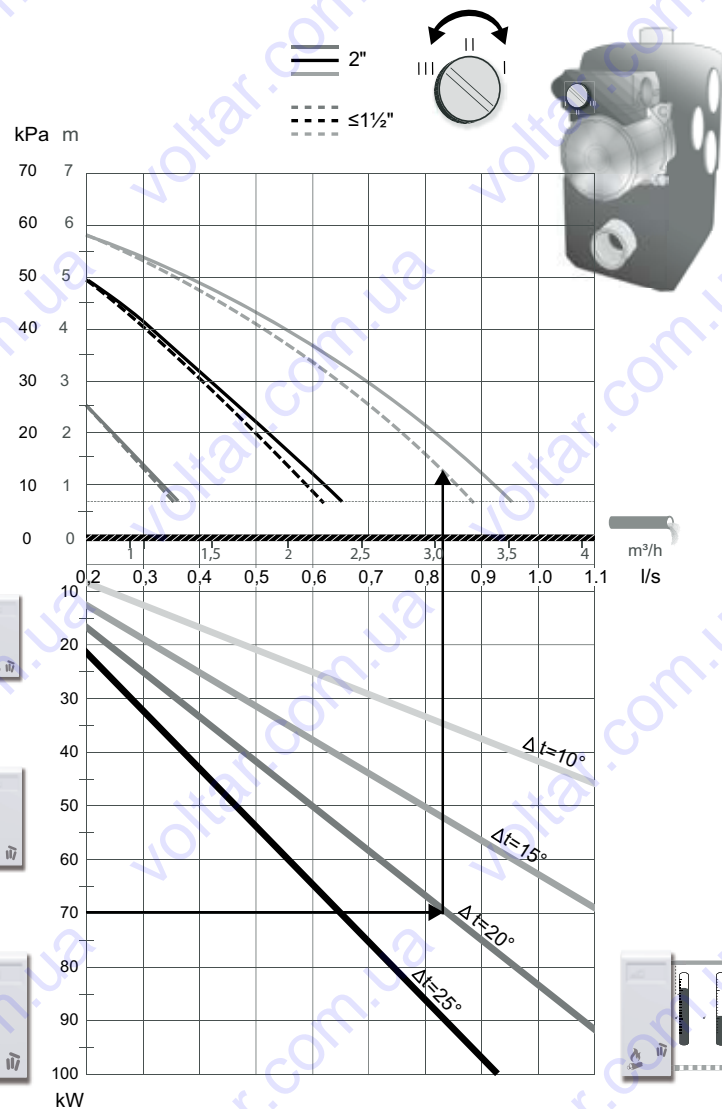
6d



LTC140



LTC170



1	2	3	4	5	6
kW	→	Δt	↑	↑	↑