



**SERIES VTC500**



**NO.1 IN HYDRONIC SYSTEM CONTROL**

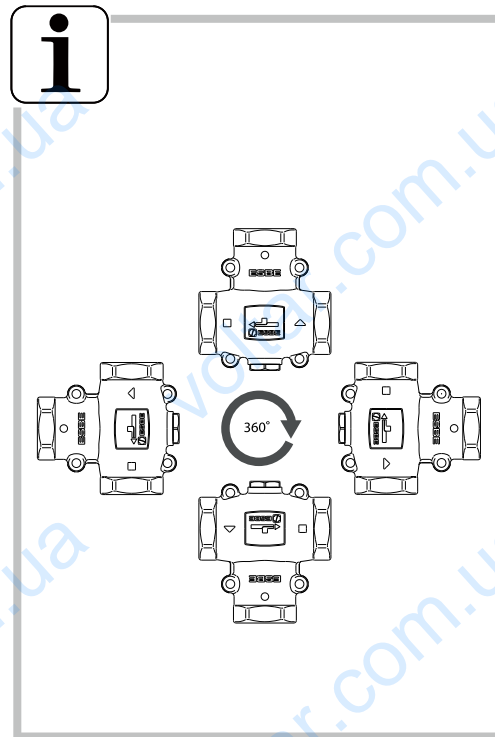
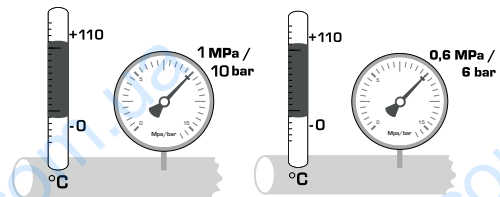


Series VTC511  
Series VTC512  
Series VTC531

CE  
PED 2014/68/EU, article 4.3

Series VTC511  
Series VTC512

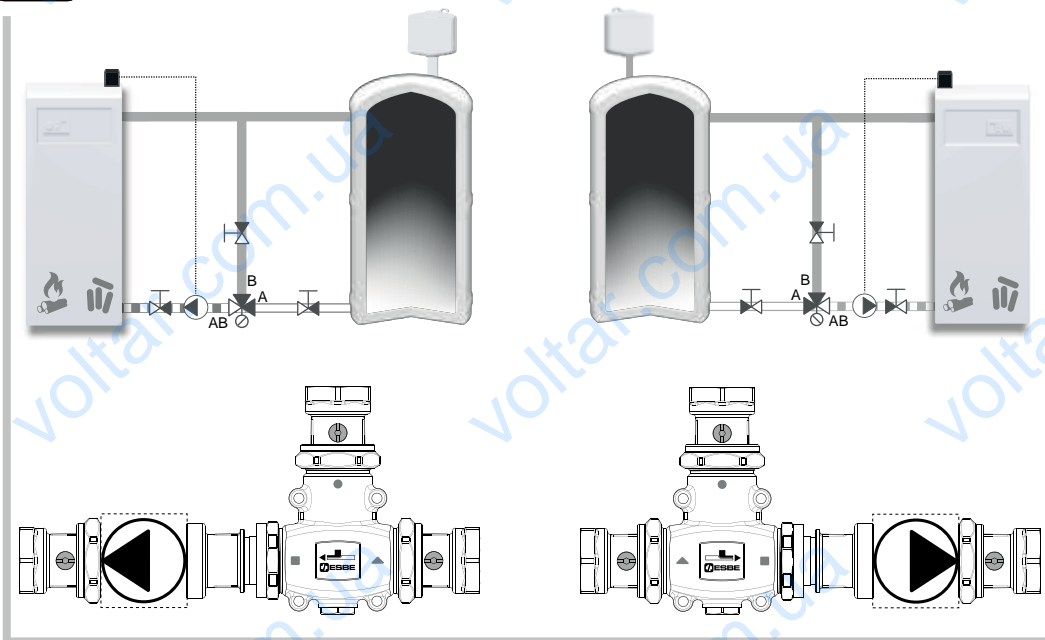
Series VTC531



Mtrl.nr: 9814 02 98 • Ritn.nr: 9144 utg.C • Rev. 1609

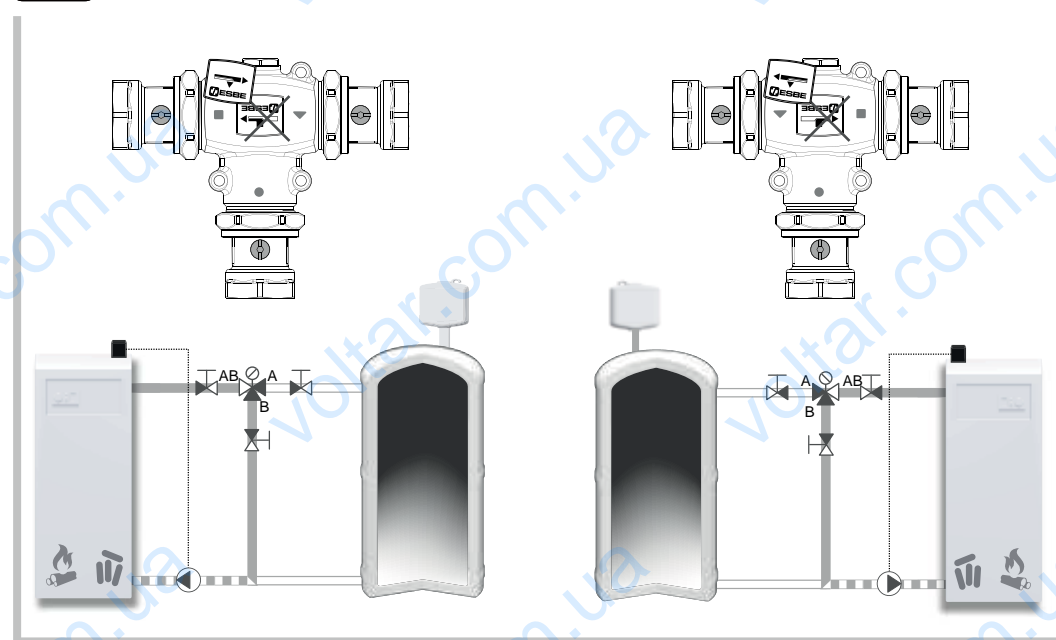
**1**

**50/55/60/65/70/75 °C**

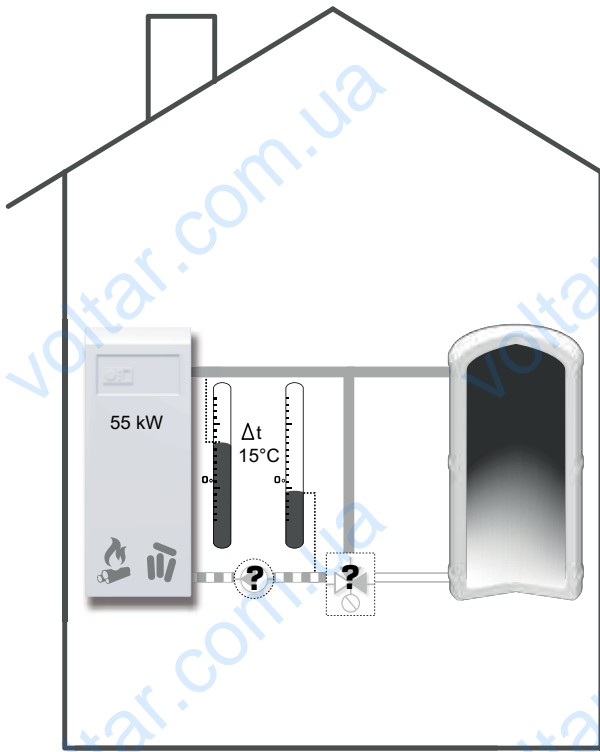


**2**

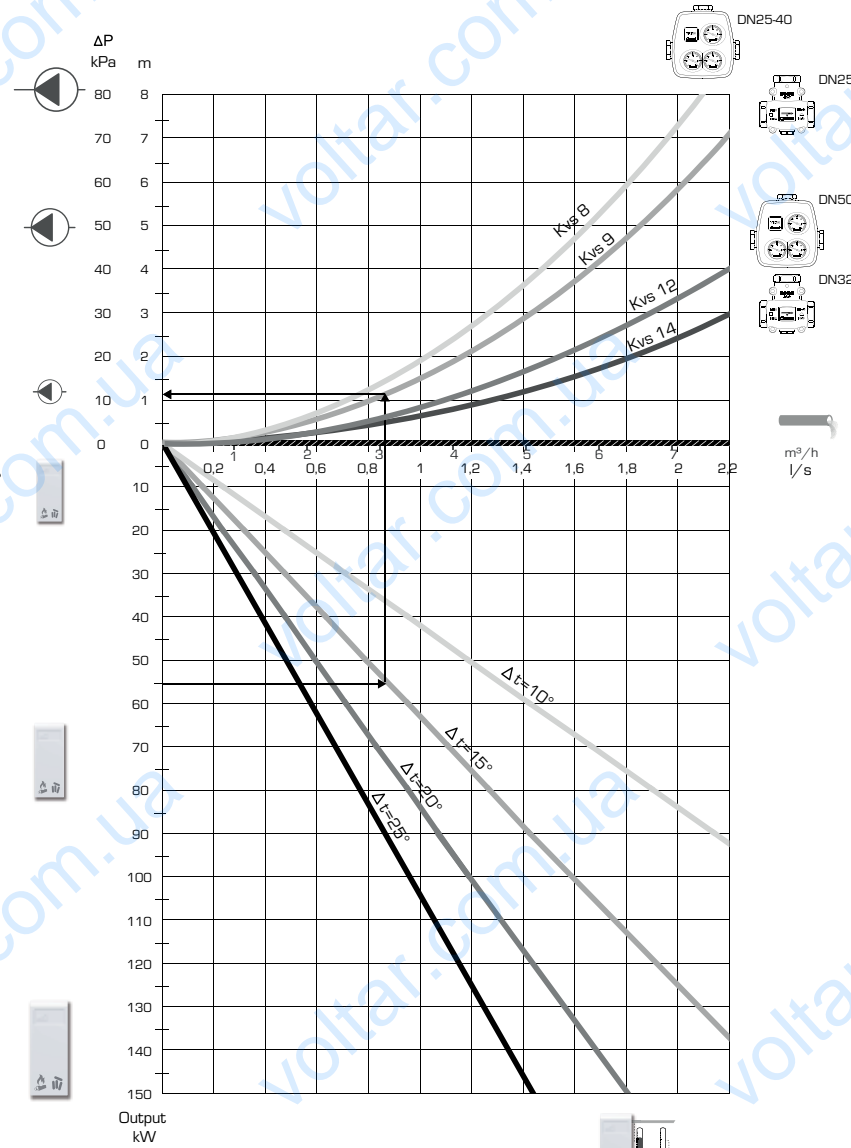
**70/75 °C**



1



2



3

