

3D SERIES

NORMALISED AND MONOBLOCK CENTRIFUGAL ELECTROPUMPS CONFORMING TO EN 733 (EX DIN 24255)



Cast iron monoblock (3D) and normalised centrifugal electropumps conforming to EN 733 (3DS-3DP).



APPLICATIONS

- Handling of water and clean, chemically non-aggressive liquids
- Water supply
- Pressurisation
- Washing and industrial plants
- Water circulation in climate control systems
- Irrigation and agriculture

TECHNICAL FEATURES

- Highly robust construction
- Stainless steel impeller
- High efficiency

PUMP SPECIFICATIONS

- Maximum operating pressure: 10 bar
- Temperature of the liquid:
 - 5°C – +90°C
 - 5°C – +110°C (versions H-HS-HW-HSW)
 - 5°C – +120°C (version E)
- MEI > 0.4

For further information, please consult our Data Books on the website www.ebara-europe.com

MOTOR SPECIFICATIONS

- IE2 high energy-efficiency motors: from 1.1kW up to 5.5 kW for 3D4
- IE3 high energy-efficiency motors: from 7.5kW up to 22kW for 3D series
- from 1.1kW up to 22kW for 3DS 3DP series
- from 0.75kW to 3kW for 3DS4 3DP4
- Self-ventilated 2-pole and 4-pole motors
- Isolation class F (B for high temperatures)
- Protection rating IP 55
- Single-phase voltage 230V ±10%, 50Hz, three-phase voltage 230/400 ±10% (up to 4kW included) 50Hz, three-phase voltage 400/690V ±10% (from 5.5 kW and above) 50Hz
- Protection to be arranged by the user

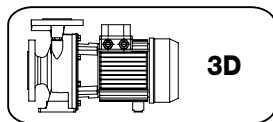
MATERIALS

- Cast iron pump body EN-GJL-250-EN 1561
- Impeller made of:
 - AISI 304 steel for SERIES 3D 32, 40, 50
 - AISI 316 microcast steel for SERIES 3D 65
- AISI 304 steel shaft (part coming into contact with liquid)
- Mechanical seal made of:
 - Ceramic/Carbon/NBR (standard)
 - Ceramic/Carbon/FPM (version H)
 - SiC/SiC/FPM (version HS)
 - Tungsten carbide/Tungsten carbide/FPM (version HW)
 - SiC/Tungsten carbide/FPM (version HSW)
 - Ceramic/Carbon/EPDM (version E)

SPECIAL VERSIONS

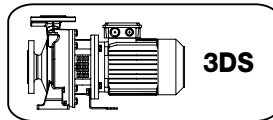
- Special voltages
- Special mechanical seals

Available in 3 different versions with 2-pole and 4-pole motors



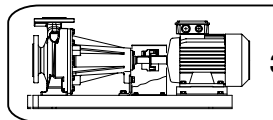
3D

Monoblock with extended motor shaft



3DS

Monoblock with standard motor and rigid joint



3DP

On base, with standard motor and elastic joint

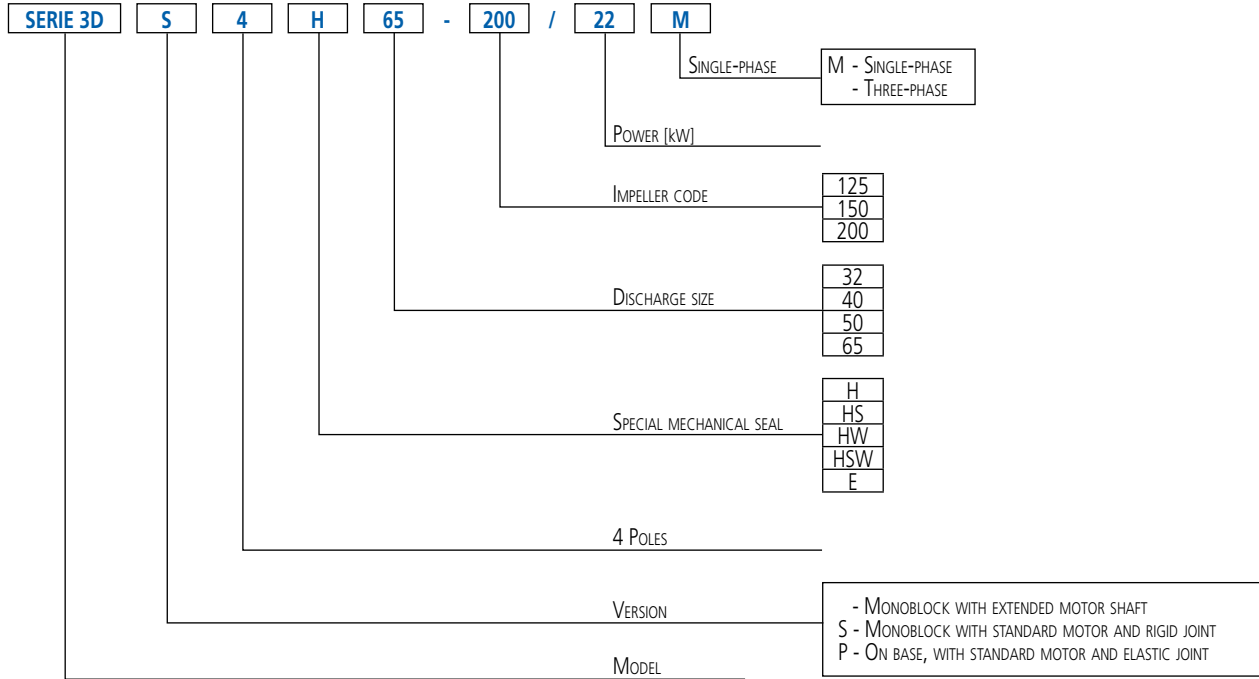
3DPF version (only hydraulic part) available on request



3D SERIES

NORMALISED AND MONOBLOCK CENTRIFUGAL ELECTROPUMPS CONFORMING TO EN 733 (EX DIN 24255)

IDENTIFICATION CODE



The contents of this publication must not be regarded as binding. EBARA Pumps Europe S.p.A. reserves the right to effect any modification it deems necessary, without prior notice.

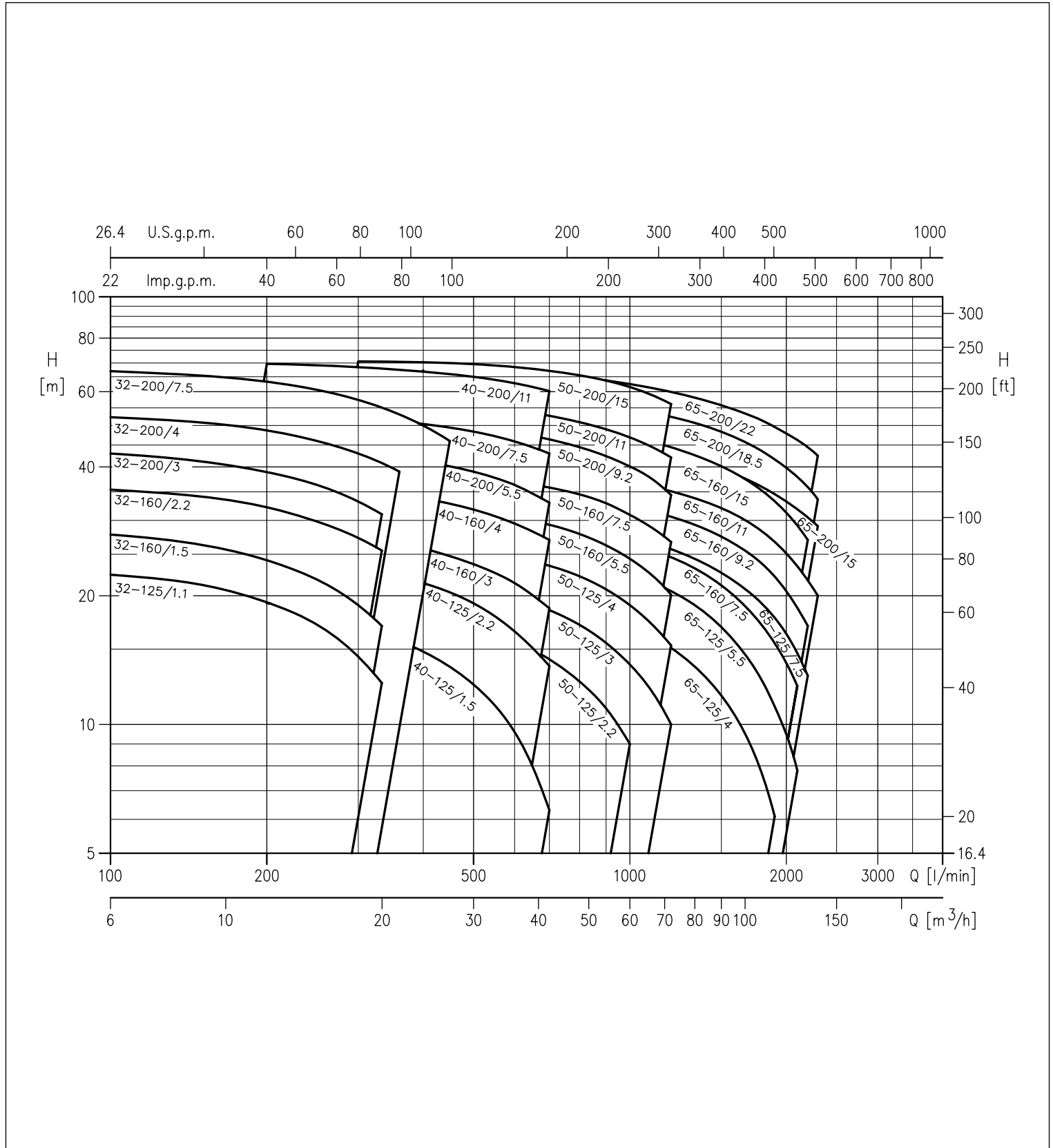


3D SERIES

NORMALISED AND MONOBLOCK CENTRIFUGAL ELECTROPUMPS CONFORMING TO EN 733 (EX DIN 24255)

PERFORMANCE RANGE at 2900 min⁻¹ (according to ISO 9906 Attachment A)

2 Poles



The contents of this publication must not be regarded as binding. EBARA Pumps Europe S.p.A. reserves the right to effect any modification it deems necessary, without prior notice.

3D SERIES

NORMALISED AND MONOBLOCK CENTRIFUGAL ELECTROPUMPS CONFORMING TO EN 733 (EX DIN 24255)

SERIES 3D(.) 32 PERFORMANCE TABLE

2 Poles

Model	P ₂		Q=Flow rate									
	[HP]	[kW]	l/min m ³ /h	100 6	150 9	200 12	250 15	300 18	333 20	360 21,6	400 24	450 27
			H=Head [m]									
3D(.) 32-125/1.1 (M)	1,5	1,1		22,4	21,2	19,3	17,1	14,4	12,5	-	-	-
3D(.) 32-160/1.5 (M)	2	1,5		27,5	25,9	23,7	21,3	18,5	16,4	-	-	-
3D(.) 32-160/2.2 (M)	3	2,2		35,4	34,1	32,2	29,8	27,3	25,5	-	-	-
3D(.) 32-200/3.0	4	3		43,0	41,0	39,0	36,5	33,0	31,0	-	-	-
3D(.) 32-200/4.0	5,5	4		52,5	51,0	49,0	46,0	43,0	41,0	39,0	-	-
3D(.) 32-200/7.5	10	7,5		67,0	65,0	63,0	61,0	57,0	55,0	53,0	50,0	46,0

SERIES 3D(.) 40 PERFORMANCE TABLE

2 Poles

Model	P ₂		Q=Flow rate									
	[HP]	[kW]	l/min m ³ /h	200 12	250 15	300 18	350 21	400 24	450 27	500 30	600 36	700 42
			H=Head [m]									
3D(.) 40-125/1.5 (M)	2	1,5		18,2	17,6	16,8	15,9	14,8	13,7	12,4	9,6	6,3
3D(.) 40-125/2.2 (M)	3	2,2		24,4	23,9	23,2	22,4	21,4	20,4	19,2	16,5	13,7
3D(.) 40-160/3.0	4	3		29,4	28,7	27,8	26,8	25,8	24,8	23,7	21,4	18,7
3D(.) 40-160/4.0	5,5	4		37,2	36,5	35,7	34,8	33,8	32,8	31,8	29,5	27,0
3D(.) 40-200/5.5	7,5	5,5		44,5	44,0	43,0	42,0	41,0	40,0	39,0	36,3	33,0
3D(.) 40-200/7.5	10	7,5		53,5	53,0	52,0	51,5	50,5	49,5	48,5	46,0	43,0
3D(.) 40-200/11	15	11		70,0	69,0	68,5	67,5	67,0	66,0	65,0	63,0	60,0

SERIES 3D(.) 50 PERFORMANCE TABLE

2 Poles

Model	P ₂		Q=Flow rate									
	[HP]	[kW]	l/min m ³ /h	400 24	500 30	600 36	700 42	800 48	900 54	1000 60	1100 66	1200 72
			H=Head [m]									
3D(.) 50-125/2.2 (M)	3	2,2		18,0	17,0	15,7	14,2	12,6	10,9	9,0	-	-
3D(.) 50-125/3.0	4	3		21,5	20,8	19,8	18,5	17,1	15,5	13,8	12,0	10,0
3D(.) 50-125/4.0	5,5	4		25,8	25,3	24,5	23,5	22,2	20,7	19,0	17,2	15,3
3D(.) 50-160/5.5	7,5	5,5		32,0	31,5	30,5	29,3	27,9	26,2	24,4	22,4	20,0
3D(.) 50-160/7.5	10	7,5		38,2	37,6	36,9	35,8	34,5	32,9	30,9	28,9	26,7
3D(.) 50-200/9.2	12,5	9,2		-	49,5	48,0	46,5	44,5	42,5	40,0	37,6	34,4
3D(.) 50-200/11	15	11		-	55,5	54,5	52,5	51,0	49,0	47,0	44,5	42,0
3D(.) 50-200/15	20	15		-	69,5	68,5	67,0	65,5	63,5	61,5	59,0	56,0

SERIES 3D(.) 65 PERFORMANCE TABLE

2 Poles

Model	P ₂		Q=Flow rate									
	[HP]	[kW]	l/min m ³ /h	600 36	700 42	1000 60	1300 78	1600 96	1900 114	2100 126	2200 132	2300 138
			H=Head [m]									
3D(.) 65-125/4.0	5,5	4		20,4	19,8	17,2	14,0	10,4	6,0	-	-	-
3D(.) 65-125/5.5	7,5	5,5		-	25,0	22,5	19,4	15,5	11,0	8,0	-	-
3D(.) 65-125/7.5	10	7,5		-	29,6	27,5	24,7	21,5	17,8	14,7	13,0	-
3D(.) 65-160/7.5	10	7,5		-	29,0	26,6	23,5	19,8	15,5	12,3	-	-
3D(.) 65-160/9.2	12,5	9,2		-	34,7	32,4	29,6	26,3	22,2	18,8	17,0	-
3D(.) 65-160/11	15	11		-	39,0	37,0	34,0	31,0	27,0	23,0	22,0	20,0
3D(.) 65-160/15	20	15		-	46,0	44,0	41,5	38,4	34,6	31,9	30,5	29,0
3D(.) 65-200/15	20	15		-	51,0	47,0	43,0	38,6	33,3	29,2	27,0	-
3D(.) 65-200/18.5	25	18,5		-	58,0	55,0	51,0	47,0	41,5	37,9	35,9	33,6
3D(.) 65-200/22	30	22		-	65,5	62,5	58,5	54,5	49,5	46,0	44,5	42,5

(M) Single-phase version only for 3D SERIES

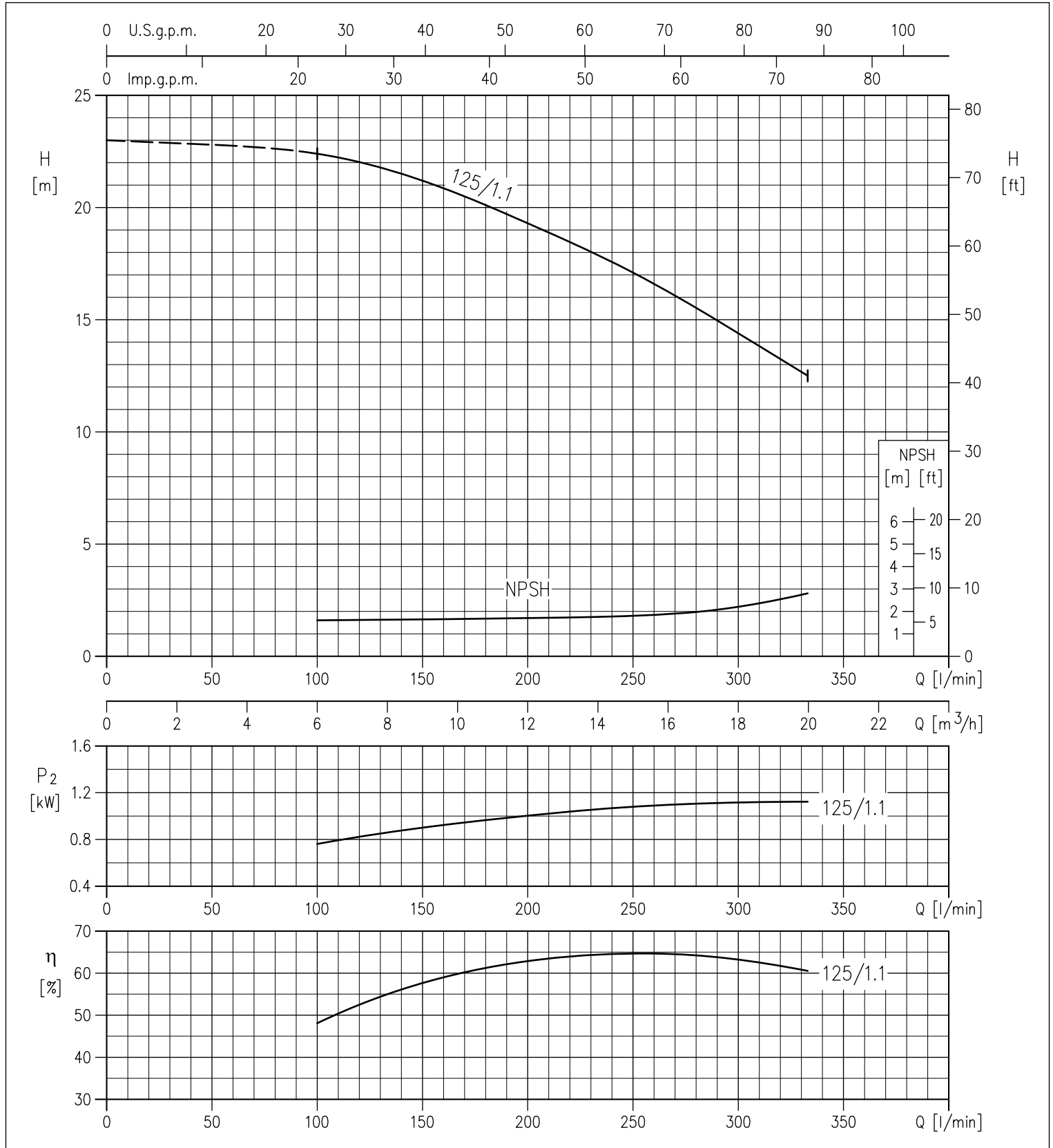


3D SERIES

NORMALISED AND MONOBLOCK CENTRIFUGAL ELECTROPUMPS CONFORMING TO EN 733 (EX DIN 24255)

PERFORMANCE CURVES 3D(.) 32-125 series at 2900 min⁻¹ (according to ISO 9906 Attachment A)

2 Poles



The contents of this publication must not be regarded as binding. EBARA Pumps Europe S.p.A. reserves the right to effect any modification it deems necessary, without prior notice.

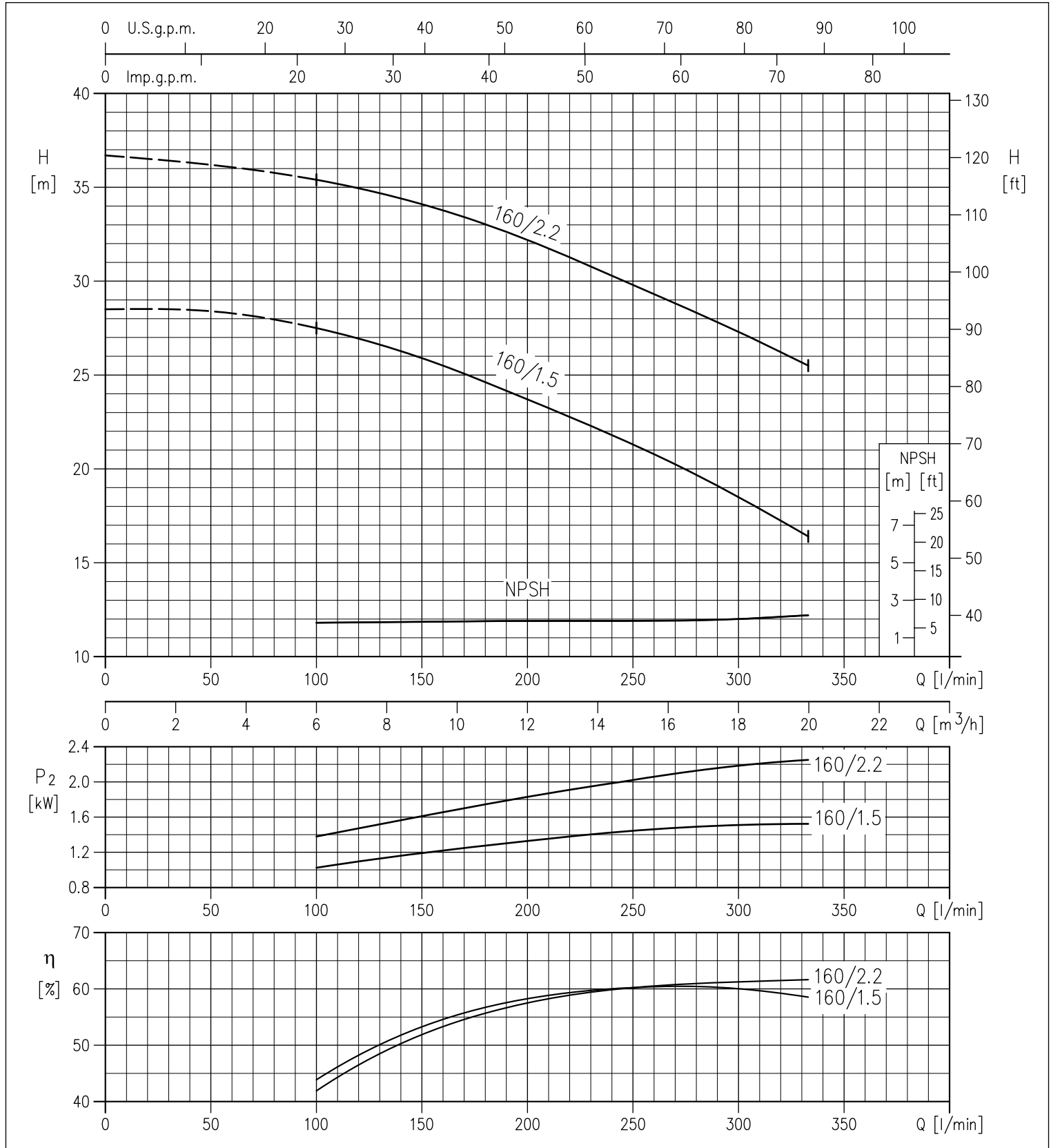


3D SERIES

NORMALISED AND MONOBLOCK CENTRIFUGAL ELECTROPUMPS CONFORMING TO EN 733 (EX DIN 24255)

PERFORMANCE CURVES 3D(.) 32-160 series at 2900 min⁻¹ (according to ISO 9906 Attachment A)

2 Poles



The contents of this publication must not be regarded as binding. EBARA Pumps Europe SpA reserves the right to effect any modification it deems necessary, without prior notice.

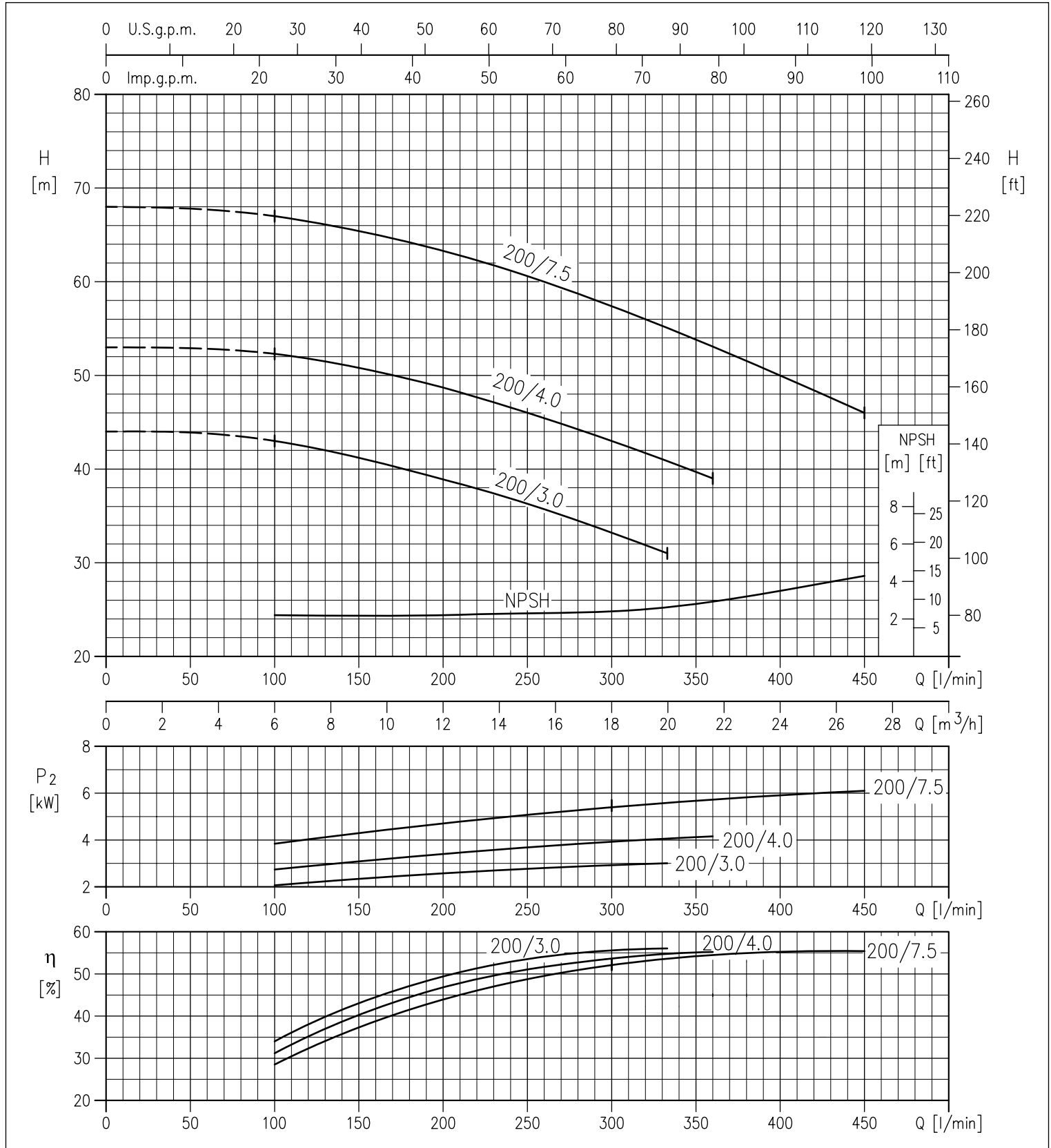


3D SERIES

NORMALISED AND MONOBLOCK CENTRIFUGAL ELECTROPUMPS CONFORMING TO EN 733 (EX DIN 24255)

PERFORMANCE CURVES 3D(.) 32-200 series at 2900 min⁻¹ (according to ISO 9906 Attachment A)

2 Poles



The contents of this publication must not be regarded as binding. EBARA Pumps Europe S.p.A. reserves the right to effect any modification it deems necessary, without prior notice.

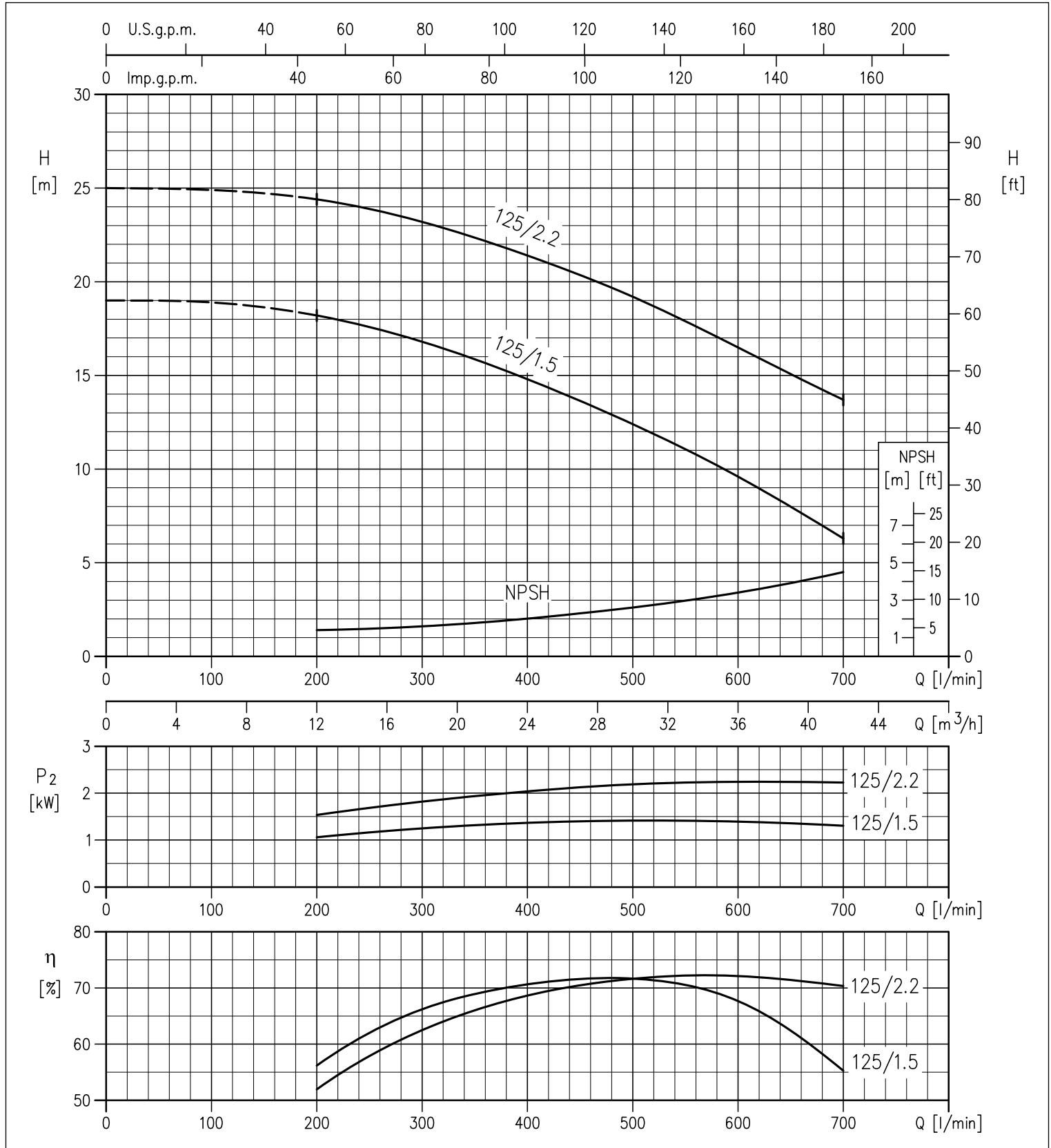


3D SERIES

NORMALISED AND MONOBLOCK CENTRIFUGAL ELECTROPUMPS CONFORMING TO EN 733 (EX DIN 24255)

PERFORMANCE CURVES 3D(.) 40-125 series at 2900 min⁻¹ (according to ISO 9906 Attachment A)

2 Poles



The contents of this publication must not be regarded as binding. EBARA Pumps Europe S.p.A. reserves the right to effect any modification it deems necessary, without prior notice.

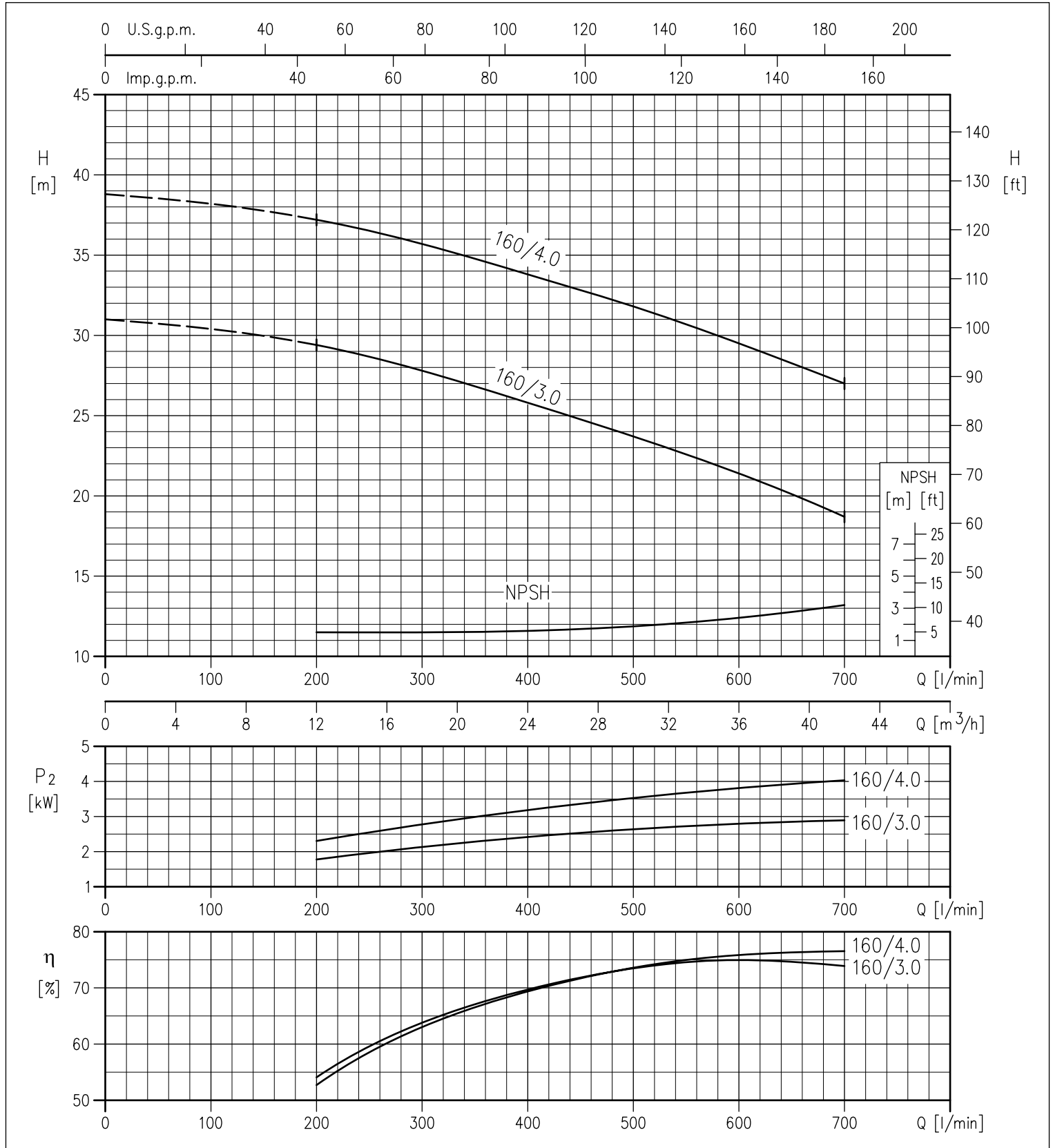


3D SERIES

NORMALISED AND MONOBLOCK CENTRIFUGAL ELECTROPUMPS CONFORMING TO EN 733 (EX DIN 24255)

PERFORMANCE CURVES 3D(.) 40-160 series at 2900 min⁻¹ (according to ISO 9906 Attachment A)

2 Poles



The contents of the publication must not be regarded as binding. EBARA Pumps Europe S.p.A. reserves the right to effect any modification it deems necessary, without prior notice.

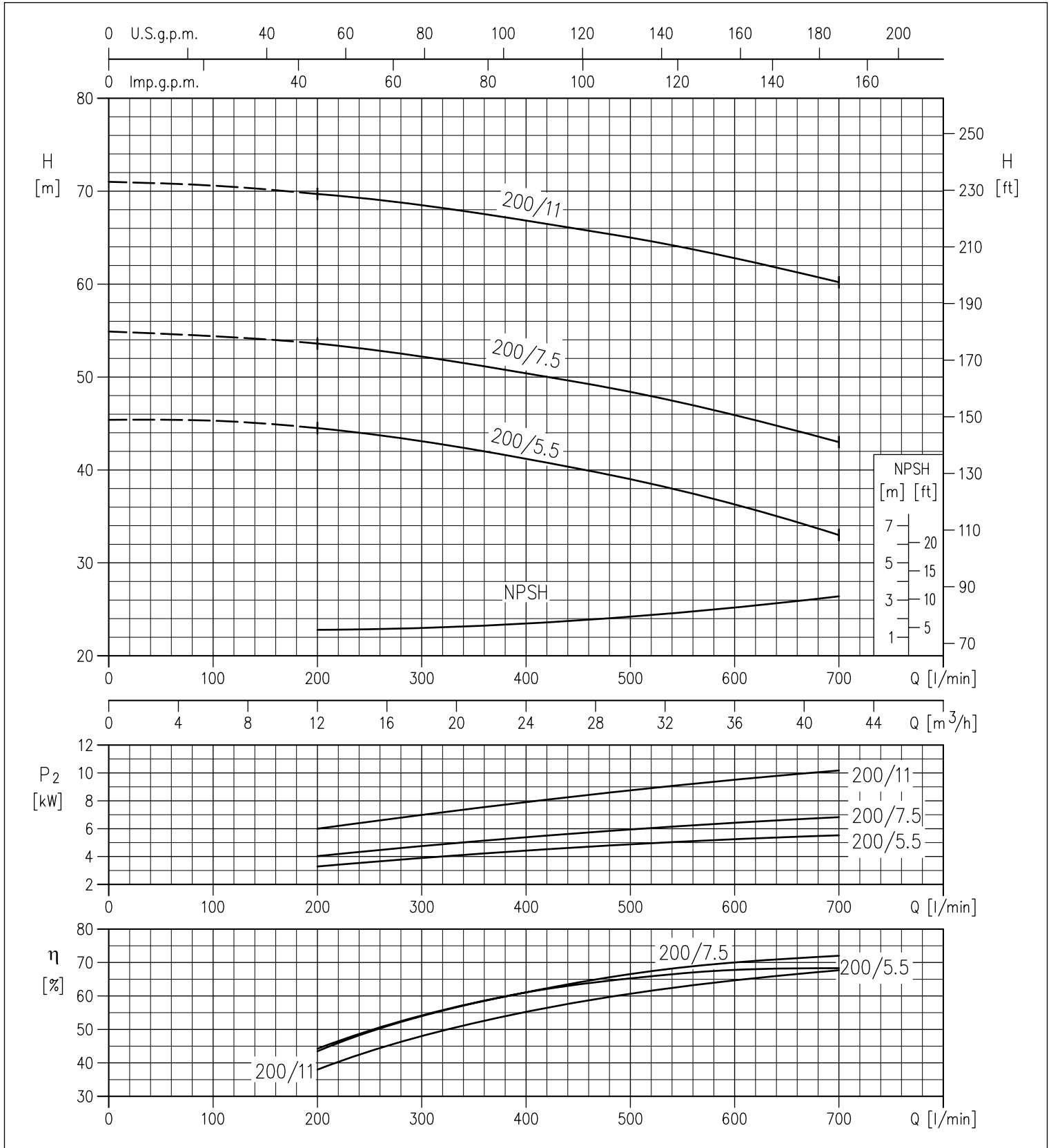


3D SERIES

NORMALISED AND MONOBLOCK CENTRIFUGAL ELECTROPUMPS CONFORMING TO EN 733 (EX DIN 24255)

PERFORMANCE CURVES 3D(.) 40-200 series at 2900 min⁻¹ (according to ISO 9906 Attachment A)

2 Poles



The contents of this publication must not be regarded as binding. EBARA Pumps Europe S.p.A. reserves the right to effect any modification it deems necessary, without prior notice.

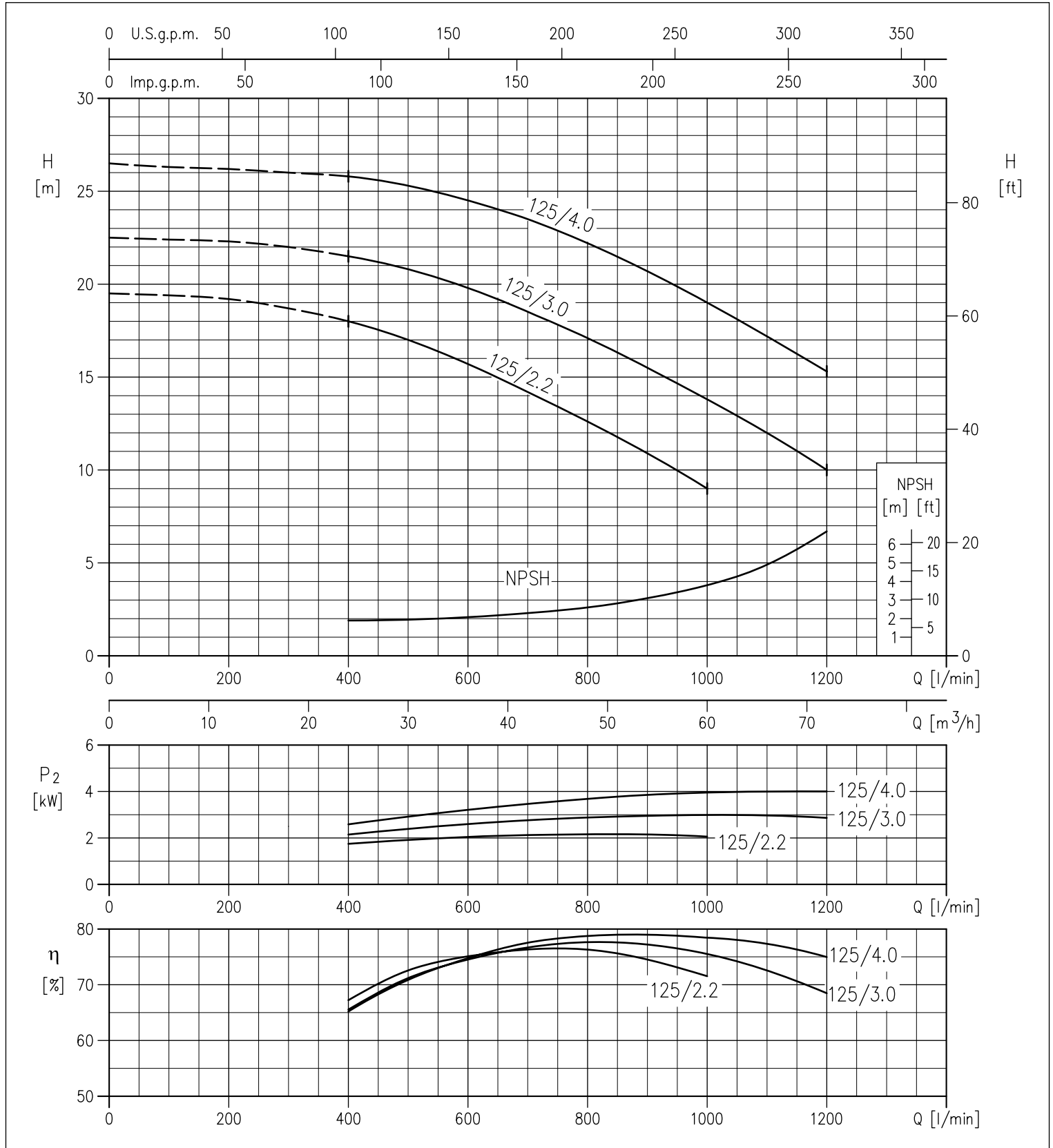


3D SERIES

NORMALISED AND MONOBLOCK CENTRIFUGAL ELECTROPUMPS CONFORMING TO EN 733 (EX DIN 24255)

PERFORMANCE CURVES 3D(.) 50-125 series at 2900 min⁻¹ (according to ISO 9906 Attachment A)

2 Poles



The contents of this publication must not be regarded as binding. EBARA Pumps Europe S.p.A. reserves the right to effect any modification it deems necessary, without prior notice.

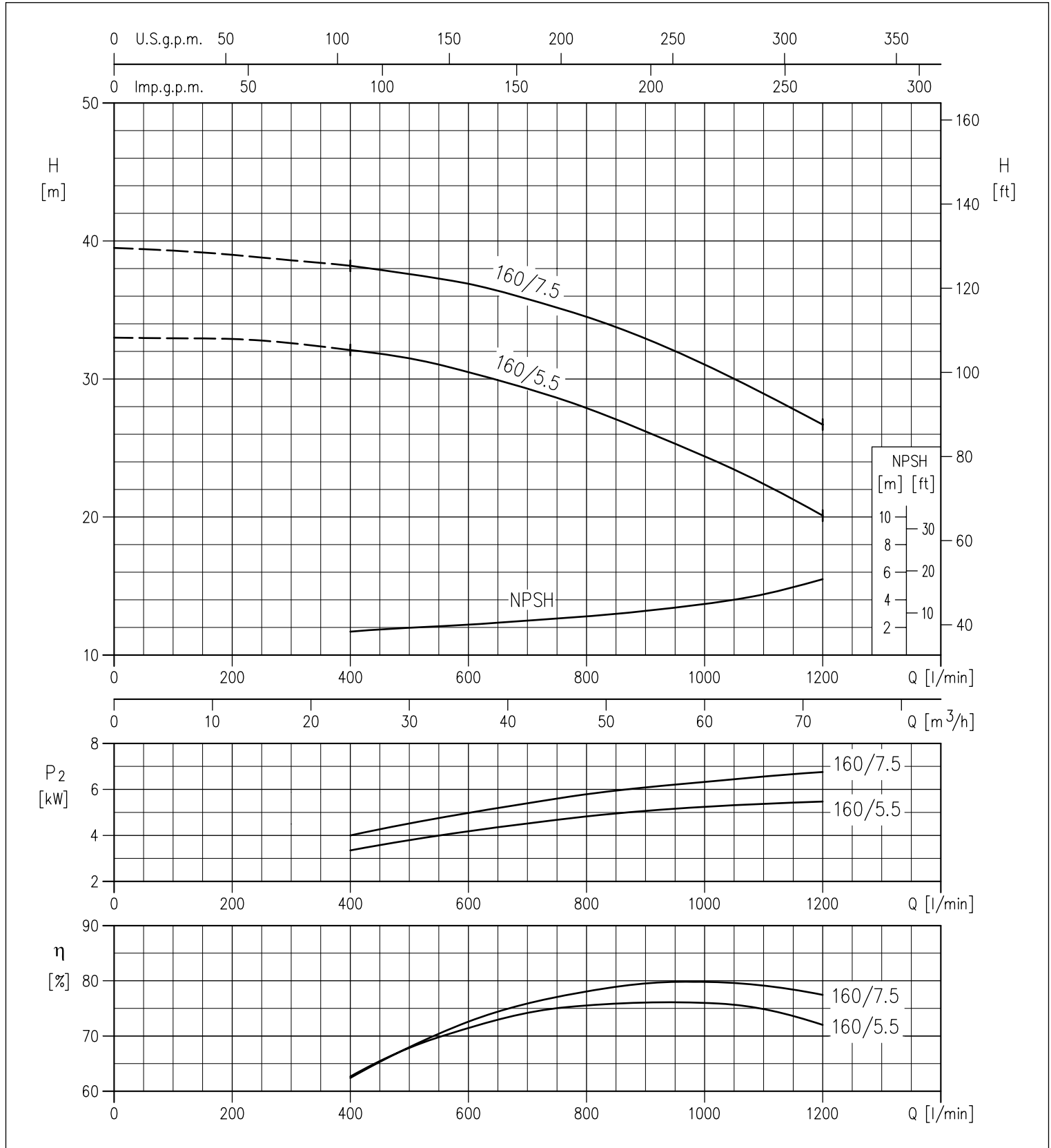


3D SERIES

NORMALISED AND MONOBLOCK CENTRIFUGAL ELECTROPUMPS CONFORMING TO EN 733 (EX DIN 24255)

PERFORMANCE CURVES 3D(.) 50-160 series at 2900 min⁻¹ (according to ISO 9906 Attachment A)

2 Poles



The contents of this publication must not be regarded as binding. EBARA Pumps Europe S.p.A. reserves the right to effect any modification it deems necessary, without prior notice.

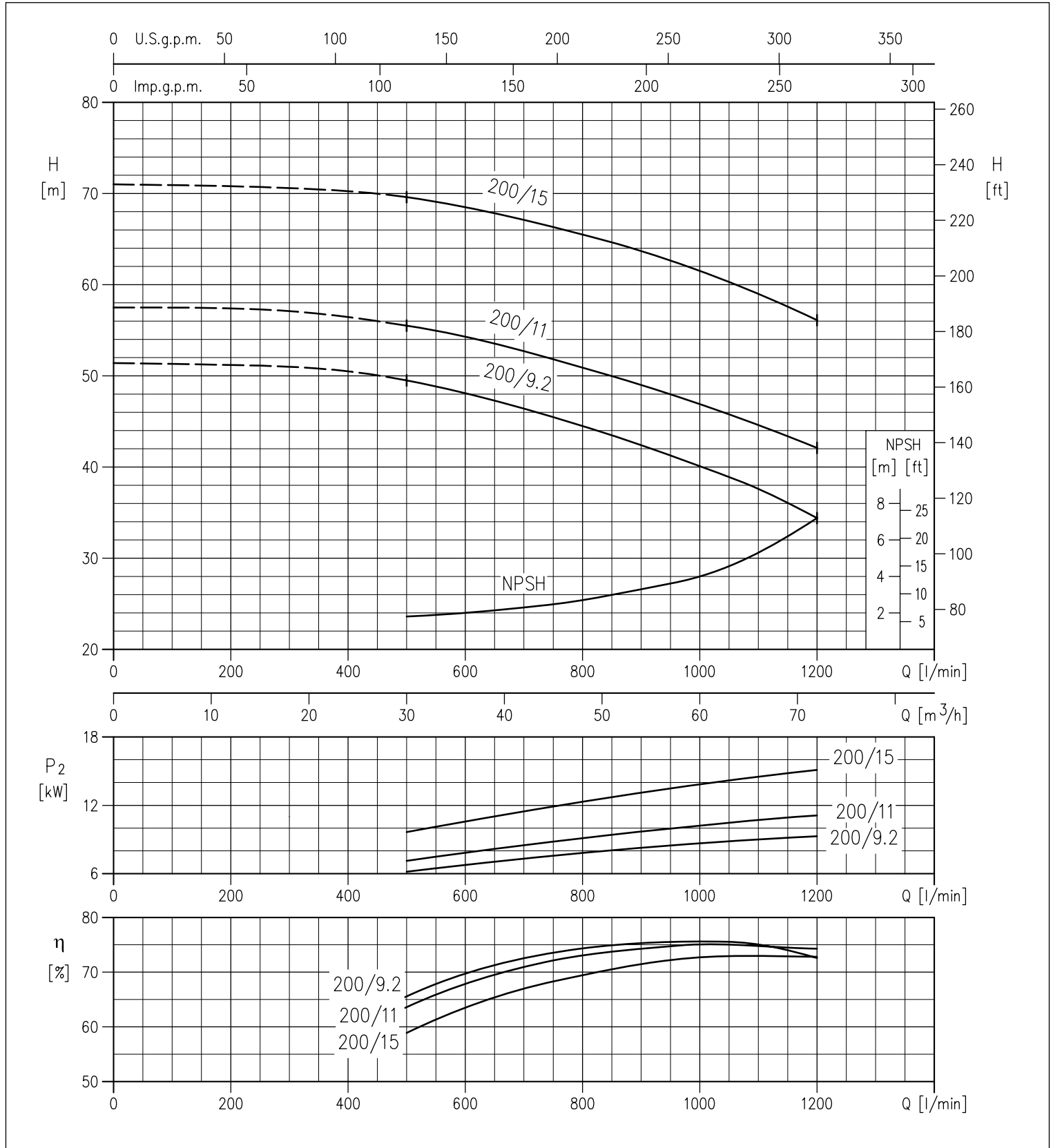


3D SERIES

NORMALISED AND MONOBLOCK CENTRIFUGAL ELECTROPUMPS CONFORMING TO EN 733 (EX DIN 24255)

PERFORMANCE CURVES 3D(.) 50-200 series at 2900 min⁻¹ (according to ISO 9906 Attachment A)

2 Poles



The contents of this publication must not be regarded as binding. EBARA Pumps Europe S.p.A. reserves the right to effect any modification it deems necessary, without prior notice.

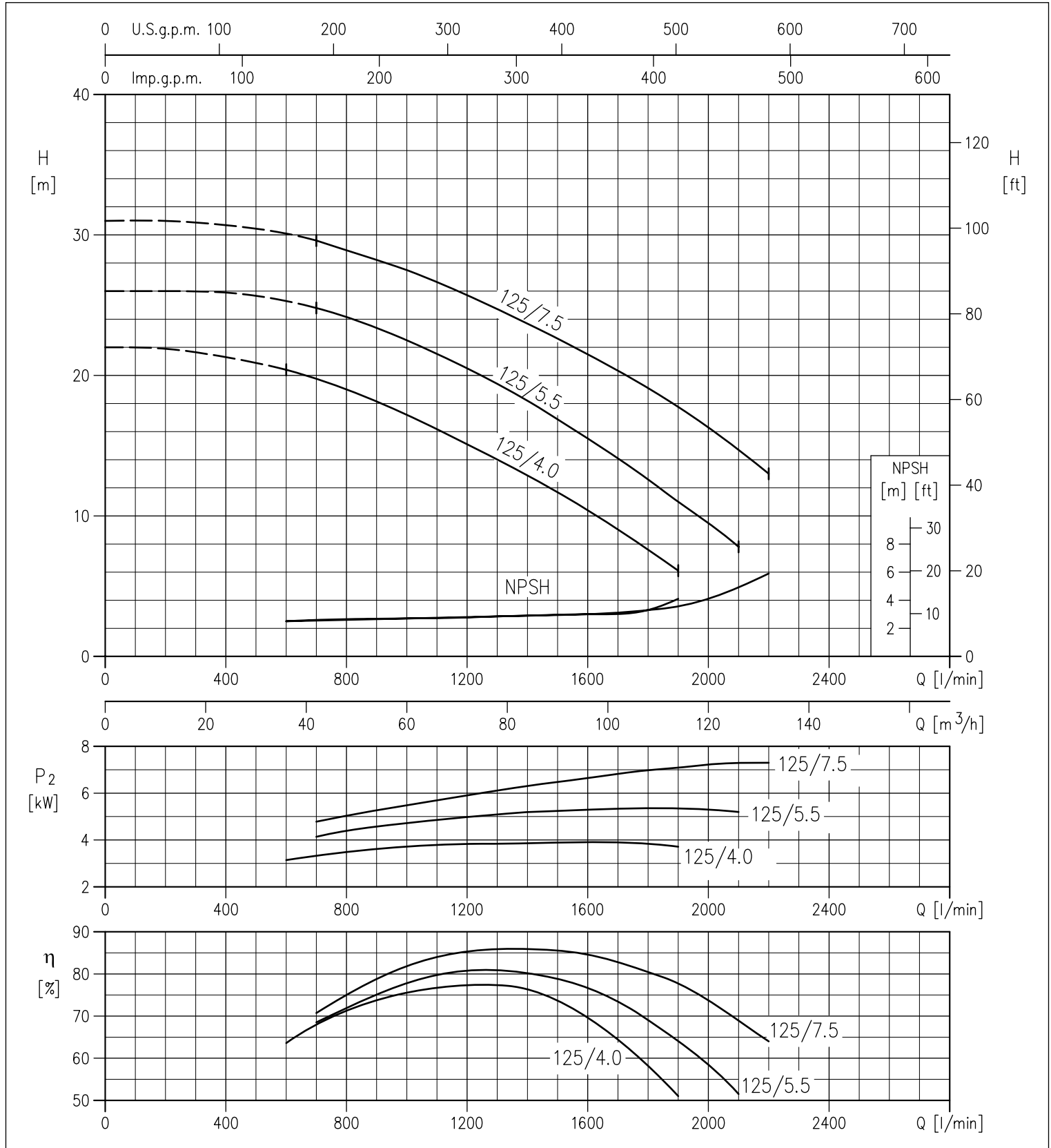


3D SERIES

NORMALISED AND MONOBLOCK CENTRIFUGAL ELECTROPUMPS CONFORMING TO EN 733 (EX DIN 24255)

PERFORMANCE CURVES 3D(.) 65-125 series at 2900 min⁻¹ (according to ISO 9906 Attachment A)

2 Poles



The contents of this publication must not be regarded as binding. EBARA Pumps Europe S.p.A. reserves the right to effect any modification it deems necessary, without prior notice.

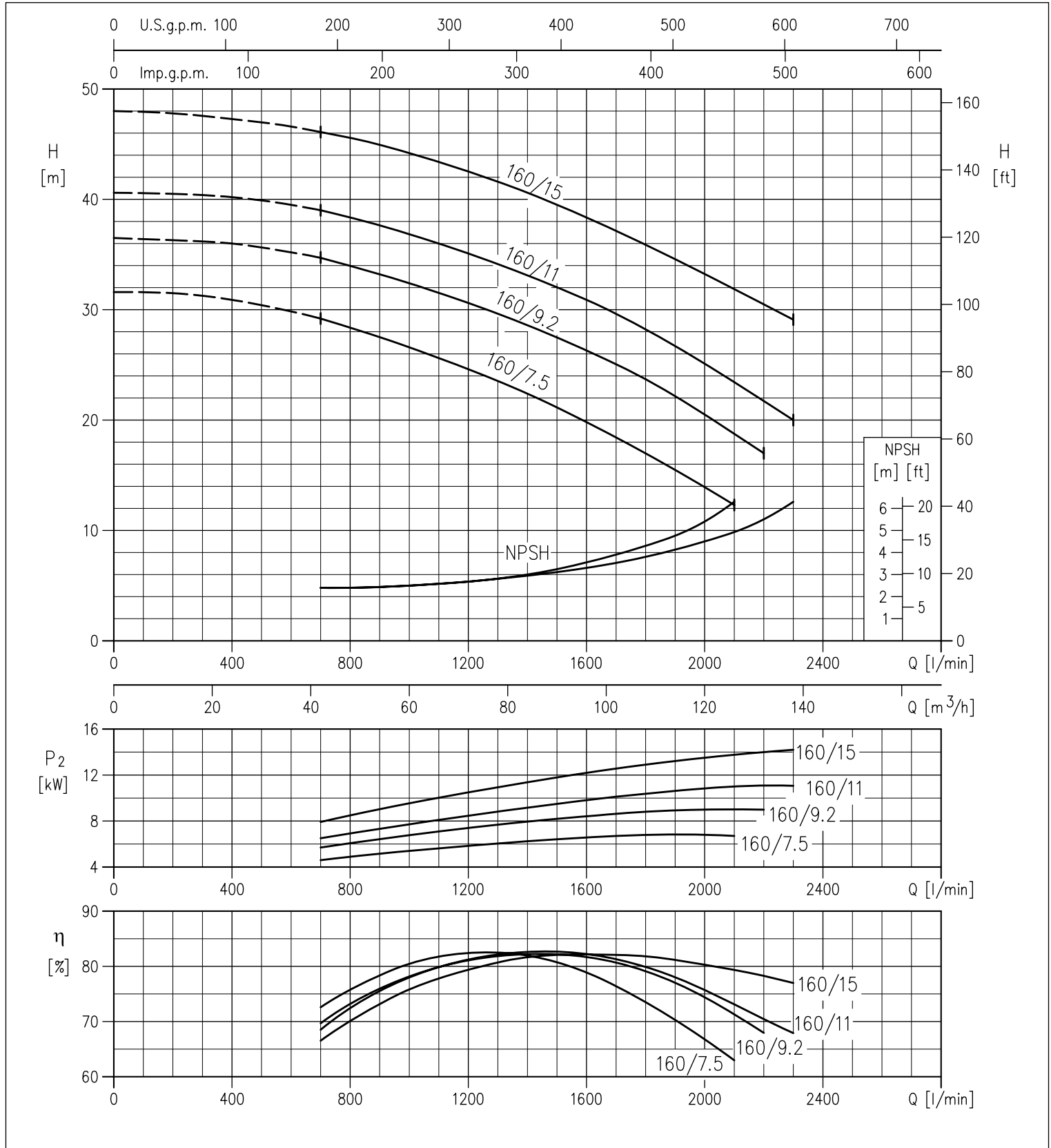


3D SERIES

NORMALISED AND MONOBLOCK CENTRIFUGAL ELECTROPUMPS CONFORMING TO EN 733 (EX DIN 24255)

PERFORMANCE CURVES 3D(.) 65-160 series at 2900 min⁻¹ (according to ISO 9906 Attachment A)

2 Poles



The contents of this publication must not be regarded as binding. EBARA Pumps Europe S.p.A. reserves the right to effect any modification it deems necessary, without prior notice.

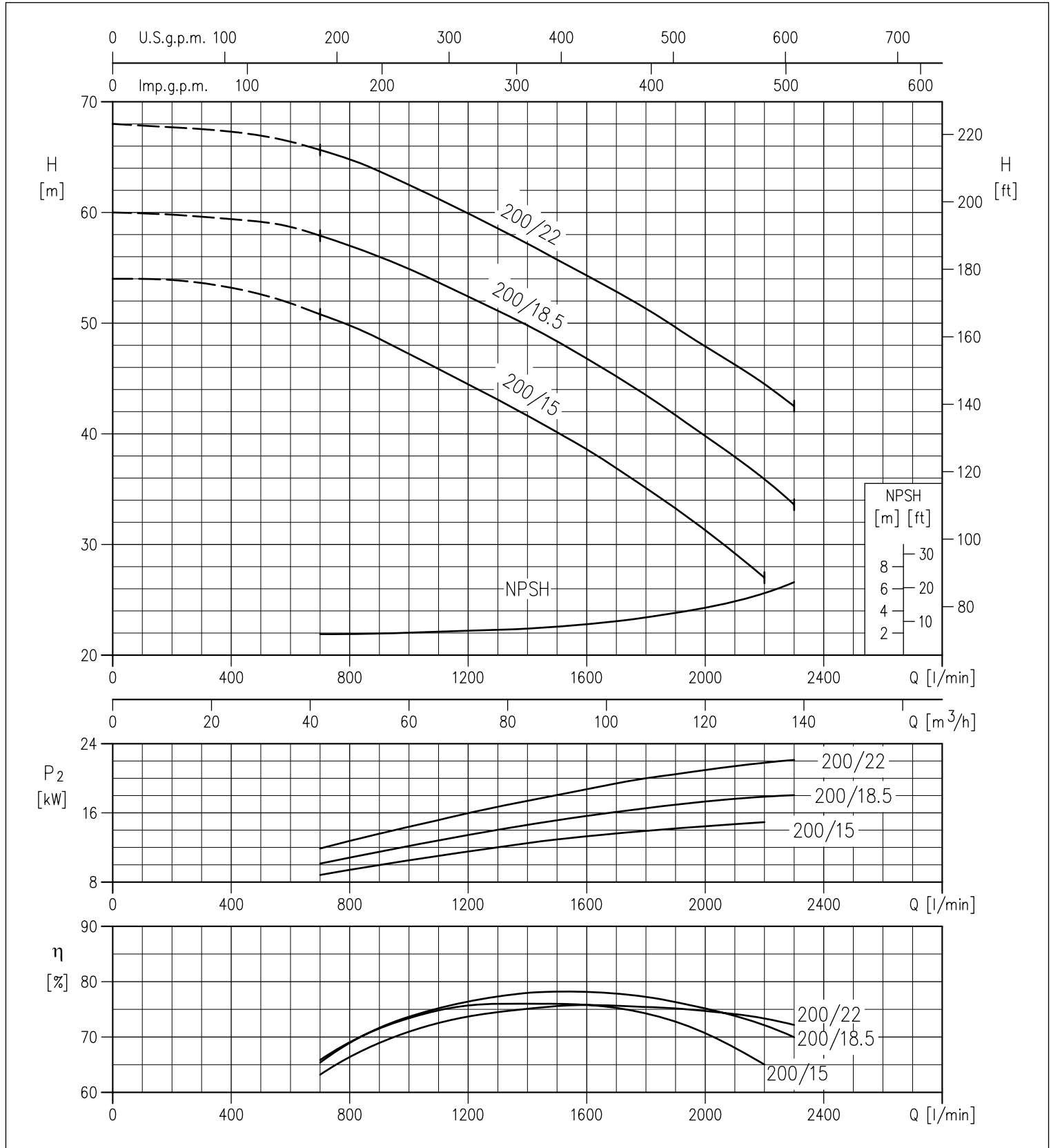


3D SERIES

**NORMALISED AND MONOBLOCK CENTRIFUGAL ELECTROPUMPS
CONFORMING TO EN 733 (EX DIN 24255)**

PERFORMANCE CURVES 3D(.) 65-200 series at 2900 min⁻¹ (according to ISO 9906 Attachment A)

2 Poles



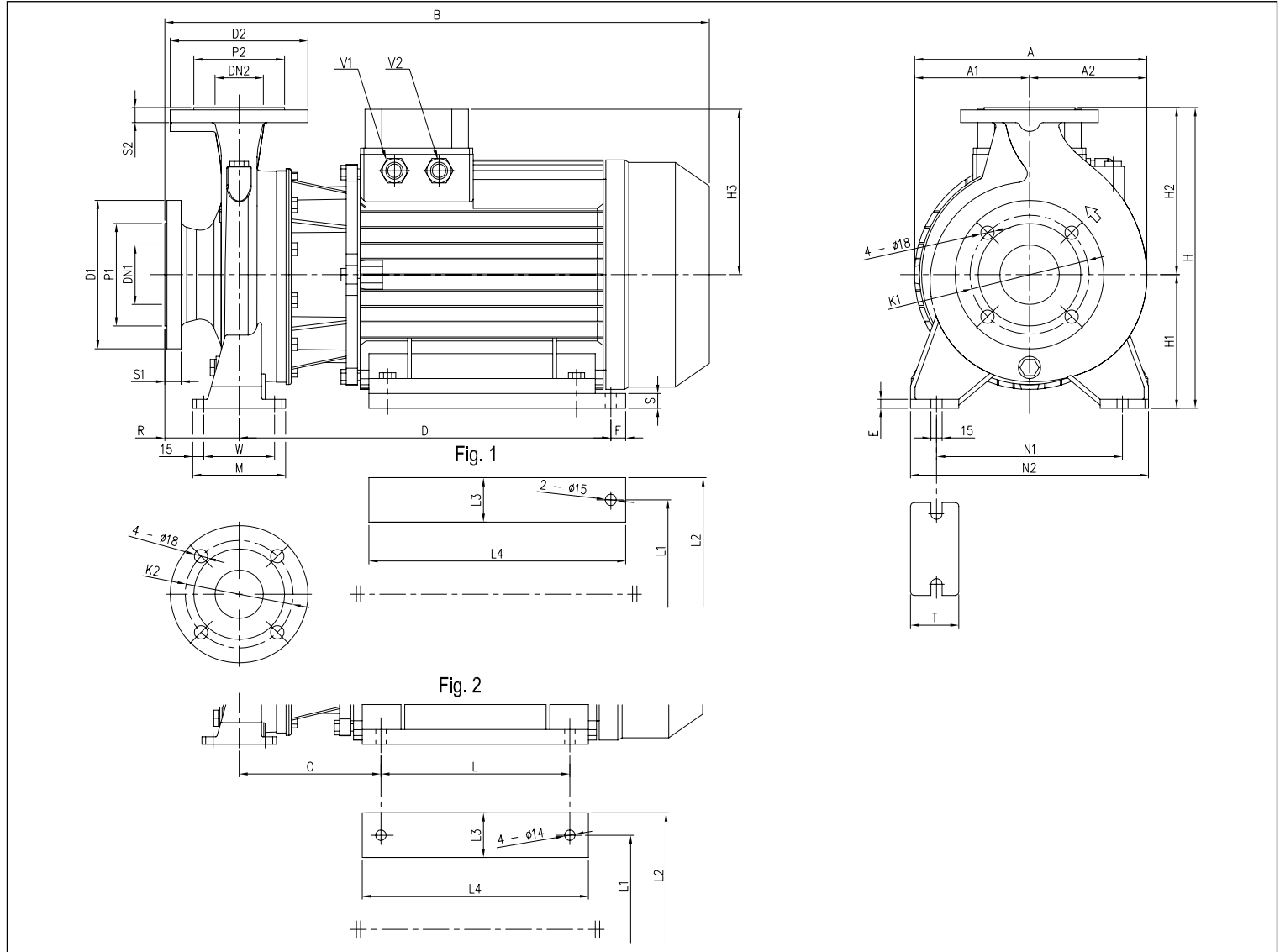
The contents of this publication must not be regarded as binding. EBARA Pumps Europe S.p.A. reserves the right to effect any modification it deems necessary, without prior notice.

3D SERIES

NORMALISED AND MONOBLOCK CENTRIFUGAL ELECTROPUMPS
CONFORMING TO EN 733 (EX DIN 24255)

DIMENSIONS 3D SERIES - from 15kW and above

2 Poles



DIMENSIONAL TABLE

Model	Dimensions [mm]																				Weight [kg]																	
	DN1	P1	K1	D1	S1	DN2	P2	K2	D2	S2	H	H1	H2	H3	Fig.	R	W	M	N1	N2		T	E	A	A1	A2	B	C	L	L1	L2	L3	L4	D	F	S	V1	V2
3D 50-200/15	65	122	145	185	20	50	102	125	165	20	360	160	200	223	2	100	70	100	212	265	50	10	296	154,5	141,5	723	190,5	254	254	318	64	304	-	-	-	PG 21	PG 21	124,1
3D 65-160/15	80	138	160	200	22	65	122	145	185	20	360	160	200	223	2	100	95	125	212	280	65	12	296	154,5	141,5	732	199,5	254	254	318	64	304	-	-	-	PG 21	PG 21	129,1
3D 65-200/15	80	138	160	200	22	65	122	145	185	20	405	180	225	223	1	100	95	125	250	320	65	12	312	154,5	157,5	732	-	-	254	314	60	345	499,5	20	20	PG 21	PG 21	129,1
3D 65-200/18,5	80	138	160	200	22	65	122	145	185	20	405	180	225	223	1	100	95	125	250	320	65	12	312	154,5	157,5	732	-	-	254	314	60	345	499,5	20	20	PG 21	PG 21	146,3
3D 65-200/22	80	138	160	200	22	65	122	145	185	20	405	180	225	223	1	100	95	125	250	320	65	12	312	154,5	157,5	732	-	-	254	314	60	345	499,5	20	20	PG 21	PG 21	158,1

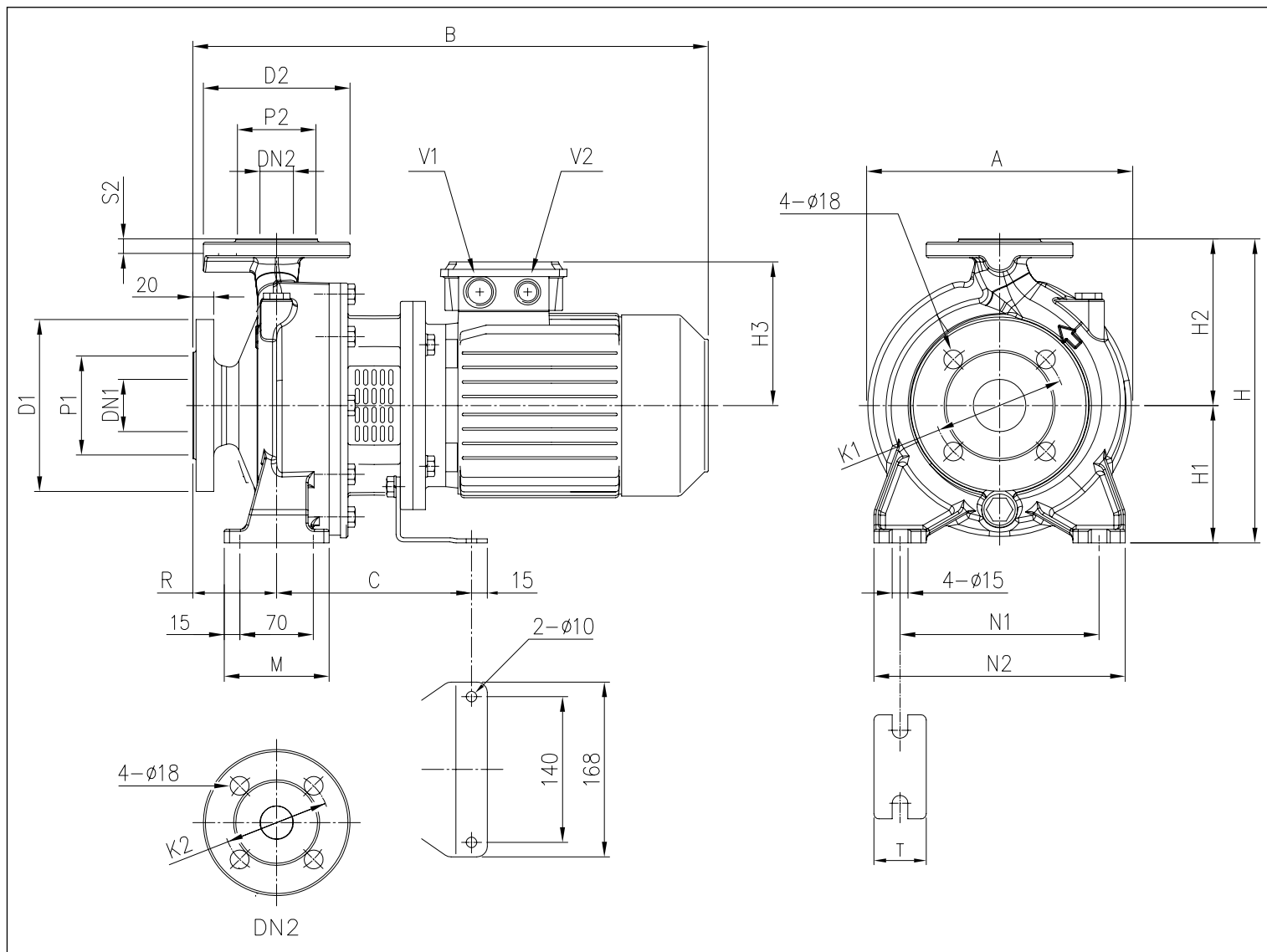
The contents of this publication must not be regarded as binding. EBARA Pumps Europe S.p.A. reserves the right to effect any modification it deems necessary, without prior notice.

3D SERIES

NORMALISED AND MONOBLOCK CENTRIFUGAL ELECTROPUMPS
CONFORMING TO EN 733 (EX DIN 24255)

DIMENSIONS 3DS 32, 40, 50 SERIES

2 Poles



DIMENSIONAL TABLE

Model	Dimensions [mm]																				Weight [kg]				
	DN1 Ø	P1 Ø	K1 Ø	D1 Ø	DN2 Ø	P2 Ø	K2 Ø	D2 Ø	S2	H	H1	H2	H3	R	M	N1	N2	T	A	B	C	V1	V2	[*]	
3DS 32-125/1.1	50	102	125	165	32	78	100	140	18	252	112	140	139	80	100	140	190	50	213	430	174	M25x1,5	M20x1,5	30.5	32.1
3DS 32-160/1.5	50	102	125	165	32	75	100	140	18	292	132	160	148	80	100	190	240	50	254	477	186	M25x1,5	M20x1,5	36.3	36.3
3DS 32-160/2.2	50	102	125	165	32	75	100	140	18	292	132	160	148	80	100	190	240	50	254	477	186	M25x1,5	M20x1,5	40.4	40.4
3DS 40-125/1.5	65	115	145	185	40	80	110	150	14	252	112	140	148	80	114	160	210	50	213	477	186	M25x1,5	M20x1,5	31.9	31.9
3DS 40-125/2.2	65	115	145	185	40	80	110	150	14	252	112	140	148	80	114	160	210	50	213	477	186	M25x1,5	M20x1,5	35.5	35.5
3DS 50-125/2.2	65	115	145	185	50	95	125	165	16	292	132	160	148	100	114	190	240	50	254	497	186	M25x1,5	M20x1,5	37.9	37.9

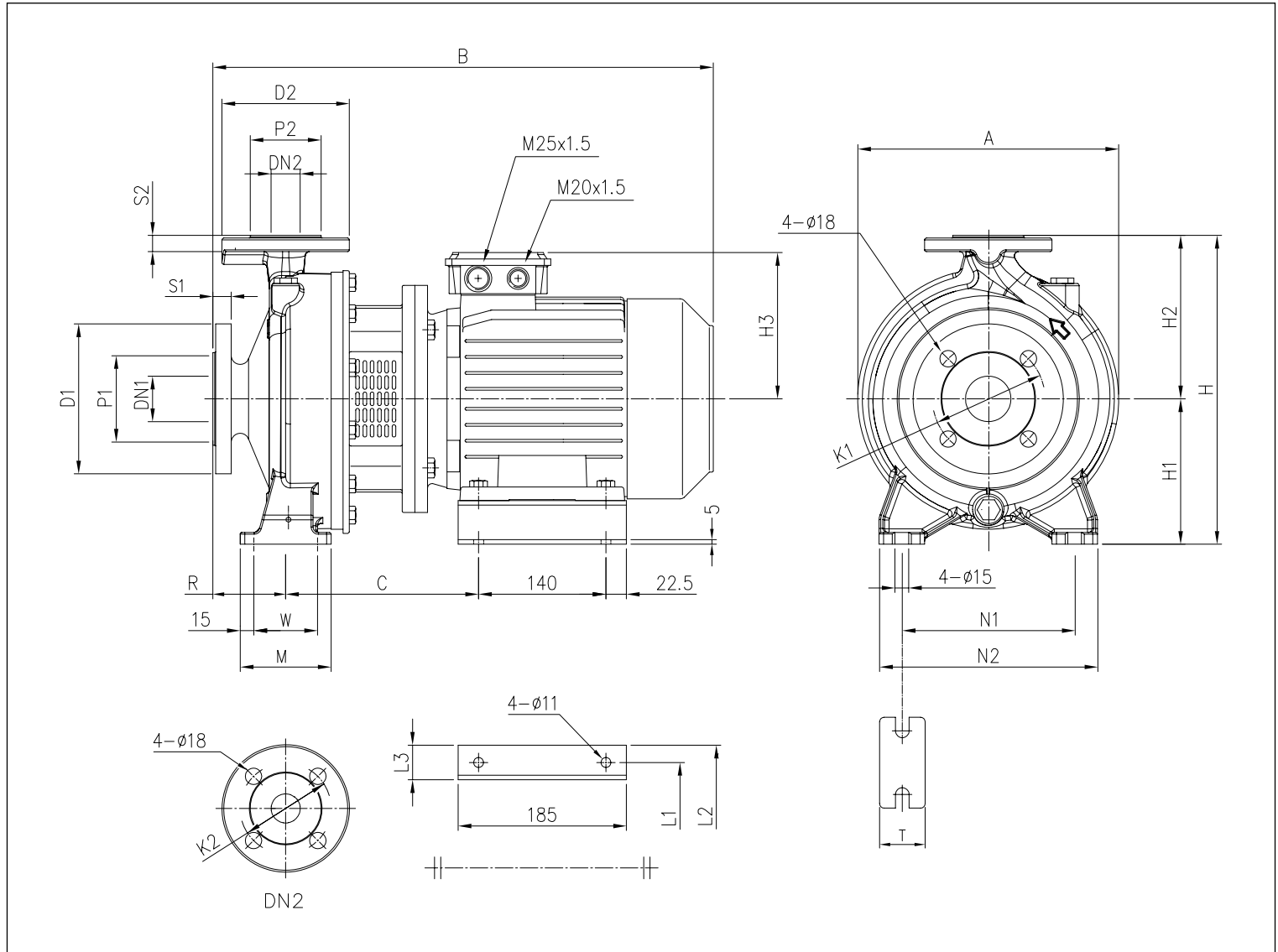
[*]= Only for IE3 motors

3D SERIES

NORMALISED AND MONOBLOCK CENTRIFUGAL ELECTROPUMPS
CONFORMING TO EN 733 (EX DIN 24255)

DIMENSIONS 3DS 32, 65 SERIES

2 Poles



DIMENSIONAL TABLE

Model	Dimensions [mm]																				Weight [kg]							
	DN1 Ø	P1 Ø	K1 Ø	D1 Ø	S1	DN2 Ø	P2 Ø	K2 Ø	D2 Ø	S2	H	H1	H2	H3	R	W	M	N1	N2	T	A	B	C	L1	L2	L3	[*]	
3DS 32-200/3.0	50	102	125	165	20	32	78	100	140	18	340	160	180	155	80	70	100	190	240	50	296	528	205	160	202	42	59,3	59,3
3DS 32-200/4.0	50	102	125	165	20	32	78	100	140	18	340	160	180	171	80	70	100	190	240	50	296	550	212	190	228	38	60,8	60,8
3DS 65-125/4.0	80	138	160	200	22	65	122	145	185	20	340	160	180	171	100	95	125	212	280	65	180	570	212	190	228	38	65,4	65,4

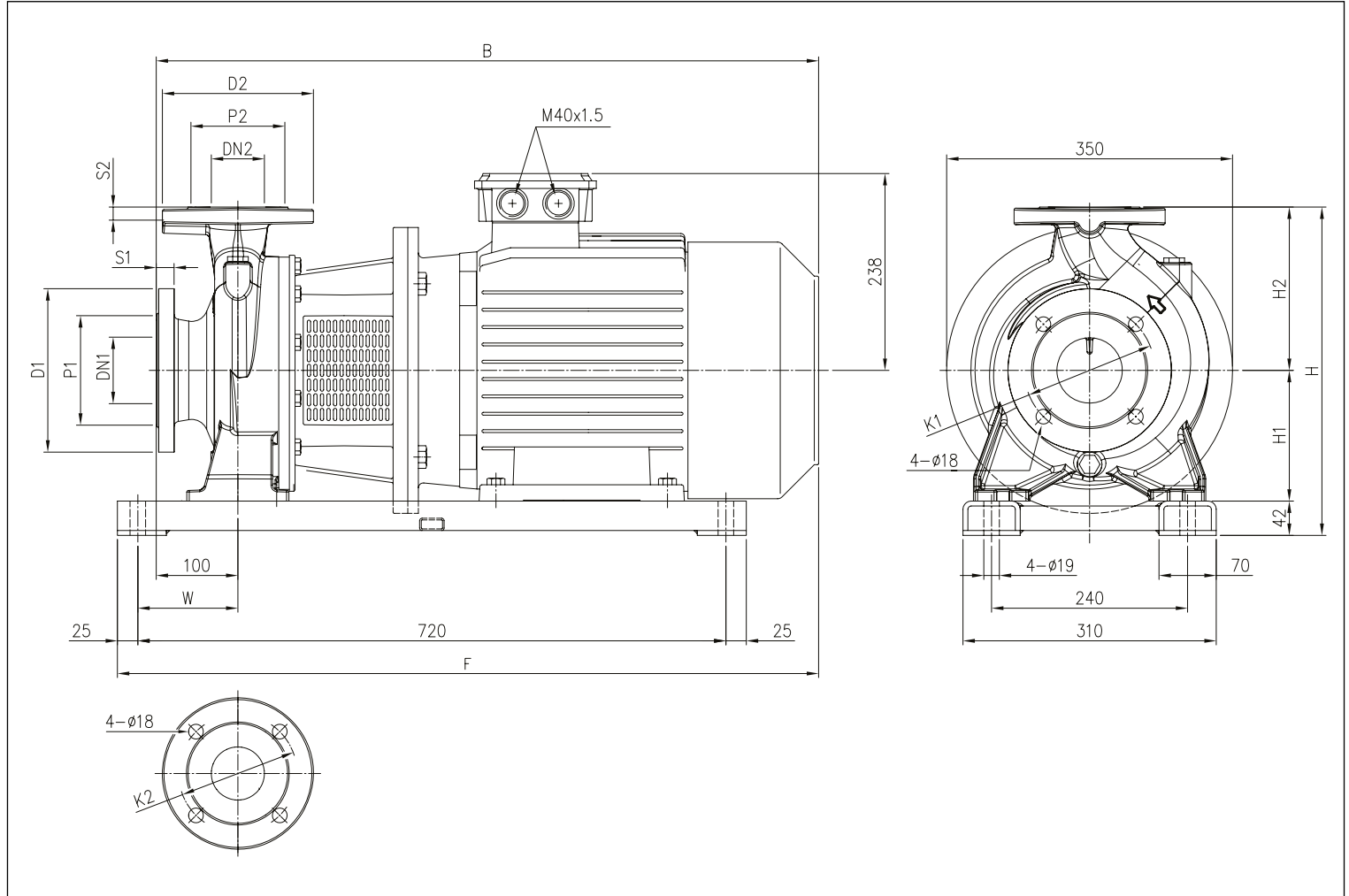
[*]= Only for IE3 motors

3D SERIES

NORMALISED AND MONOBLOCK CENTRIFUGAL ELECTROPUMPS
CONFORMING TO EN 733 (EX DIN 24255)

DIMENSIONS 3DS 40, 50, 65 SERIES

2 Poles



DIMENSIONAL TABLE

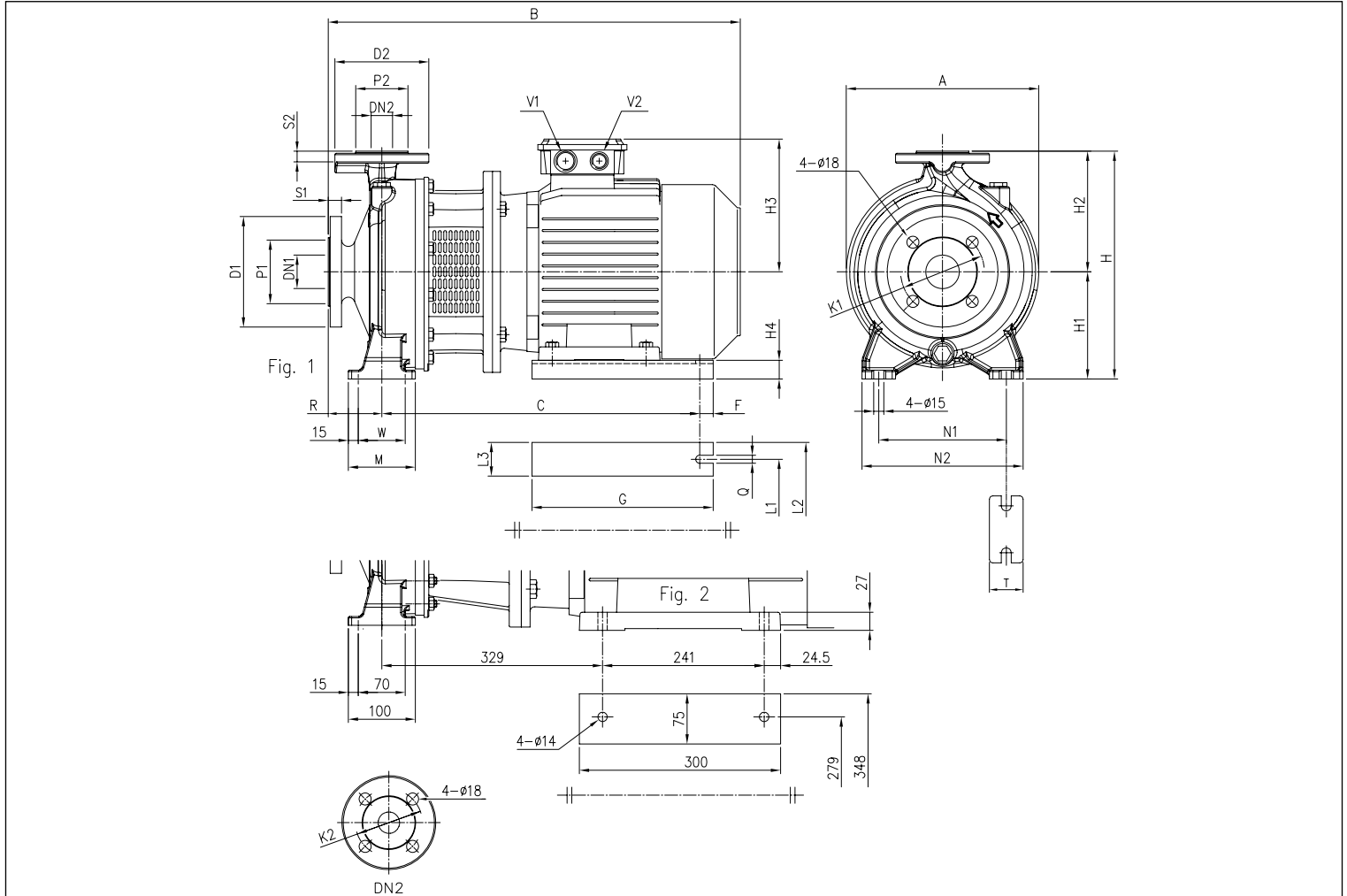
Model	Dimensions [mm]																Weight [kg]
	DN1 Ø	P1 Ø	K1 Ø	D1 Ø	S1	DN2 Ø	P2 Ø	K2 Ø	D2 Ø	S2	H	H1	H2	W	B	F	
3DS 40-200/11	65	122	145	185	20	40	88	110	150	18	382	160	180	110	796	833	130,8
3DS 50-200/11	65	122	145	185	20	50	102	125	165	20	402	160	200	110	796	833	130,8
3DS 50-200/15	65	122	145	185	20	50	102	125	165	20	402	160	200	110	796	833	166,9
3DS 65-160/11	80	138	160	200	22	65	115	145	185	20	402	160	200	123	806	846	106,8
3DS 65-160/15	80	138	160	200	22	65	115	145	185	20	402	160	200	123	806	846	142,9

3D SERIES

NORMALISED AND MONOBLOCK CENTRIFUGAL ELECTROPUMPS CONFORMING TO EN 733 (EX DIN 24255)

DIMENSIONS 3DS 32, 40, 50, 65 SERIES

2 Poles



DIMENSIONAL TABLE

Model	Dimensions [mm]																								Weight [kg]												
	DN1	P1	K1	D1	S1	DN2	P2	K2	D2	S2	Fig.	H	H1	H2	H3	H4	R	W	M	N1	N2	T	A	B	C	F	G	Q	L1	L2	L3	V1	V2	[*]			
3DS 32-200/7.5	50	102	125	165	20	32	78	100	140	18	1	340	160	180	198	28	80	70	100	190	240	50	296	607	479	15	270	12	216	266	50	M32X1,5	M32X1,5	-	92		
3DS 40-160/3.0	65	122	145	185	20	40	88	110	150	18	1	292	132	160	155	32	80	70	100	190	240	50	254	528	388	15	220	12	160	200	40	M25X1,5	M20X1,5	65,6	65,6		
3DS 40-160/4.0	65	122	145	185	20	40	88	110	150	18	1	292	132	160	171	20	80	70	100	190	240	50	254	550	395	15	220	12	190	240	50	M25X1,5	M20X1,5	51,8	51,8		
3DS 40-200/5.5	65	122	145	185	20	40	88	110	150	18	2	340	160	180	198	28	100	70	100	212	265	50	296	627	479	15	270	12	216	266	50	M32X1,5	M32X1,5	79,7	79,7		
3DS 40-200/7.5	65	122	145	185	20	40	88	110	150	18	2	340	160	180	198	28	100	70	100	212	265	50	296	627	479	15	270	12	216	266	50	M32X1,5	M32X1,5	-	88,8		
3DS 50-125/3.0	65	122	145	185	20	50	102	125	165	20	2	292	132	160	155	32	100	70	100	190	240	50	254	548	388	15	220	12	160	200	40	M25X1,5	M20X1,5	44,1	44,1		
3DS 50-125/4.0	65	122	145	185	20	50	102	125	165	20	2	292	132	160	171	20	100	70	100	190	240	50	254	570	395	15	220	12	190	240	50	M25X1,5	M20X1,5	52,7	52,7		
3DS 50-160/5.5	65	122	145	185	20	50	102	125	165	20	2	340	160	180	198	28	100	70	100	212	265	50	296	627	479	15	270	12	216	266	50	M32X1,5	M32X1,5	77,3	77,3		
3DS 50-160/7.5	65	122	145	185	20	50	102	125	165	20	2	340	160	180	198	28	100	70	100	212	265	50	296	627	479	15	270	12	216	266	50	M32X1,5	M32X1,5	-	99,5		
3DS 50-200/9.2	65	122	145	185	20	50	102	125	165	20	2	360	160	200	198	28	100	70	100	212	265	50	296	667	479	15	270	12	216	266	50	M32X1,5	M32X1,5	-	104		
3DS 65-125/5.5	80	138	160	200	22	65	122	145	185	20	2	340	160	180	198	28	100	95	125	212	280	65	263	627	479	15	270	12	216	266	50	M32X1,5	M32X1,5	76,3	76,3		
3DS 65-125/7.5	80	138	160	200	22	65	122	145	185	20	2	340	160	180	198	28	100	95	125	212	280	65	263	627	479	15	270	12	216	266	50	M32X1,5	M32X1,5	-	99,9		
3DS 65-160/7.5	80	138	160	200	22	65	122	145	185	20	2	360	160	200	198	28	100	95	125	212	280	65	296	627	479	15	270	12	216	266	50	M32X1,5	M32X1,5	-	99,2		
3DS 65-160/9.2	80	138	160	200	22	65	122	145	185	20	2	360	160	200	198	28	100	95	125	212	280	65	296	667	479	15	270	12	216	266	50	M32X1,5	M32X1,5	-	108		
3DS 65-200/15	80	138	160	200	22	65	122	145	185	20	2	405	180	225	238	20	100	95	125	250	320	65	312	806	621	20	350	14	254	314	60	M40X1,5	M40X1,5	-	156,9		
3DS 65-200/18.5	80	138	160	200	22	65	122	145	185	20	2	405	180	225	238	20	100	95	125	250	320	65	312	850	621	20	350	14	254	314	60	M40X1,5	M40X1,5	-	158,5		
3DS 65-200/22	80	138	160	200	22	65	122	145	185	20	3	405	180	225	238	-	100	-	-	250	320	65	312	885	-	-	-	-	-	-	-	-	-	-	-	-	197

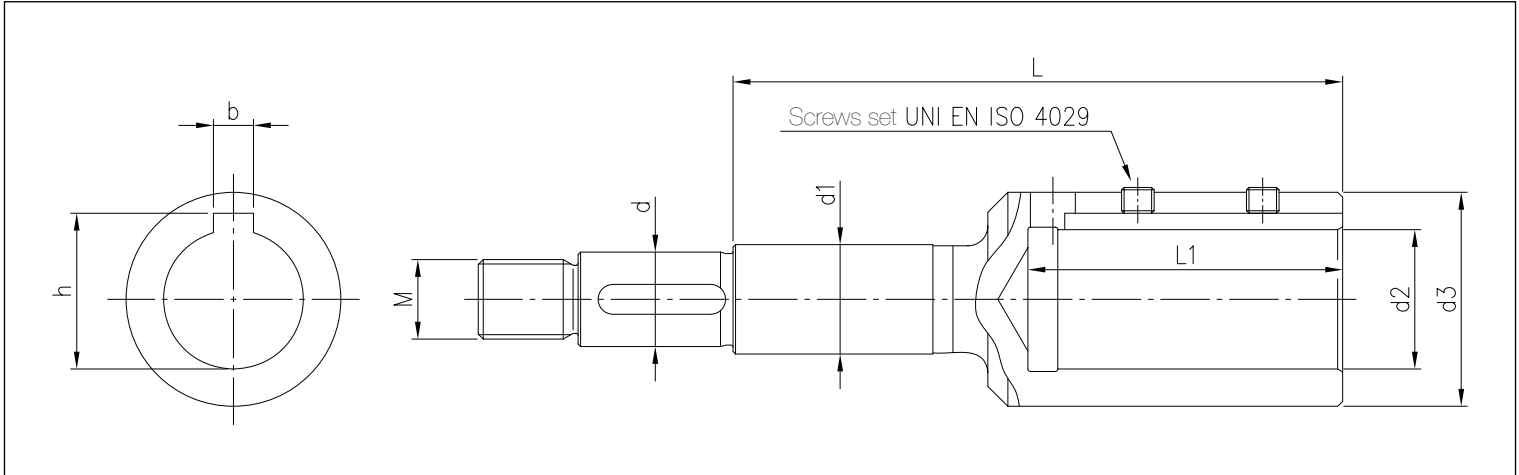
[*]= Only for IE3 motors

3D SERIES

NORMALISED AND MONOBLOCK CENTRIFUGAL ELECTROPUMPS CONFORMING TO EN 733 (EX DIN 24255)

JOINT FOR SERIES 3DS

2 Poles



DIMENSIONAL TABLE

Model	[HP]	[kW]	Motor size	Dimensions [mm]									
				d	d1	d2	d3	M	L	L1	b	h	Set viti
3DS 32-125/1.1	1,5	1,1	80	19	22	19	33	M16x1,5	98	43	6	21,8	M6x6
3DS 32-160/1.5	2	1,5	90	19	22	24	39	M16x1,5	110	53	8	27,3	M8x8
3DS 32-160/2.2	3	2,2	90	19	22	24	39	M16x1,5	110	53	8	27,3	M8x8
3DS 32-200/3.0	4	3	100	19	22	28	43	M16x1,5	122	63	8	31,3	M8x8
3DS 32-200/4.0	5,5	4	112	19	22	28	43	M16x1,5	122	63	8	31,3	M8x8
3DS 32-200/7.5	10	7,5	132	19	22	38	58	M16x1,5	145	84	10	41,3	M8x8
3DS 40-125/1.5	2	1,5	90	19	22	24	39	M16x1,5	110	53	8	27,3	M8x8
3DS 40-125/2.2	3	2,2	90	19	22	24	39	M16x1,5	110	53	8	27,3	M8x8
3DS 40-160/3.0	4	3	100	19	22	28	43	M16x1,5	122	63	8	31,3	M8x8
3DS 40-160/4.0	5,5	4	112	19	22	28	43	M16x1,5	122	63	8	31,3	M8x8
3DS 40-200/5.5	7,5	5,5	132	19	22	38	58	M16x1,5	145	84	10	41,3	M8x8
3DS 40-200/7.5	10	7,5	132	19	22	38	58	M16x1,5	145	84	10	41,3	M8x8
3DS 40-200/11	15	11	160	19	22	42	63	M16x1,5	178	114	12	45,3	M8x8
3DS 50-125/2.2	3	2,2	90	19	22	24	39	M16x1,5	110	53	8	27,3	M8x8
3DS 50-125/3.0	4	3	100	19	22	28	43	M16x1,5	122	63	8	31,3	M8x8
3DS 50-125/4.0	5,5	4	112	19	22	28	43	M16x1,5	122	63	8	31,3	M8x8
3DS 50-160/5.5	7,5	5,5	132	19	22	38	58	M16x1,5	145	84	10	41,3	M8x8
3DS 50-160/7.5	10	7,5	132	19	22	38	58	M16x1,5	145	84	10	41,3	M8x8
3DS 50-200/9.2	12,5	9,2	132	19	22	38	58	M16x1,5	145	84	10	41,3	M8x8
3DS 50-200/11	15	11	160	19	22	42	63	M16x1,5	178	114	12	45,3	M8x8
3DS 50-200/15	20	15	160	22	22	42	63	M18x1,5	209	114	12	45,3	M8x8
3DS 65-125/4.0	5,5	4	112	19	22	28	43	M16x1,5	122	63	8	31,3	M8x8
3DS 65-125/5.5	7,5	5,5	132	19	22	38	58	M16x1,5	145	84	10	41,3	M8x8
3DS 65-125/7.5	10	7,5	132	19	22	38	58	M16x1,5	145	84	10	41,3	M8x8
3DS 65-160/7.5	10	7,5	132	19	22	38	58	M16x1,5	145	84	10	41,3	M8x8
3DS 65-160/9.2	12,5	9,2	132	19	22	38	58	M16x1,5	145	84	10	41,3	M8x8
3DS 65-160/11	15	11	160	19	22	42	63	M16x1,5	178	114	12	45,3	M8x8
3DS 65-160/15	20	15	160	24	30	42	63	M20x1,5	184	114	12	45,3	M8x8
3DS 65-200/15	20	15	160	24	30	42	63	M20x1,5	184	114	12	45,3	M8x8
3DS 65-200/18.5	25	18,5	160	24	30	42	63	M20x1,5	184	114	12	45,3	M8x8
3DS 65-200/22	30	22	180	24	30	48	72	M20x1,5	184	114	14	51,8	M10x10

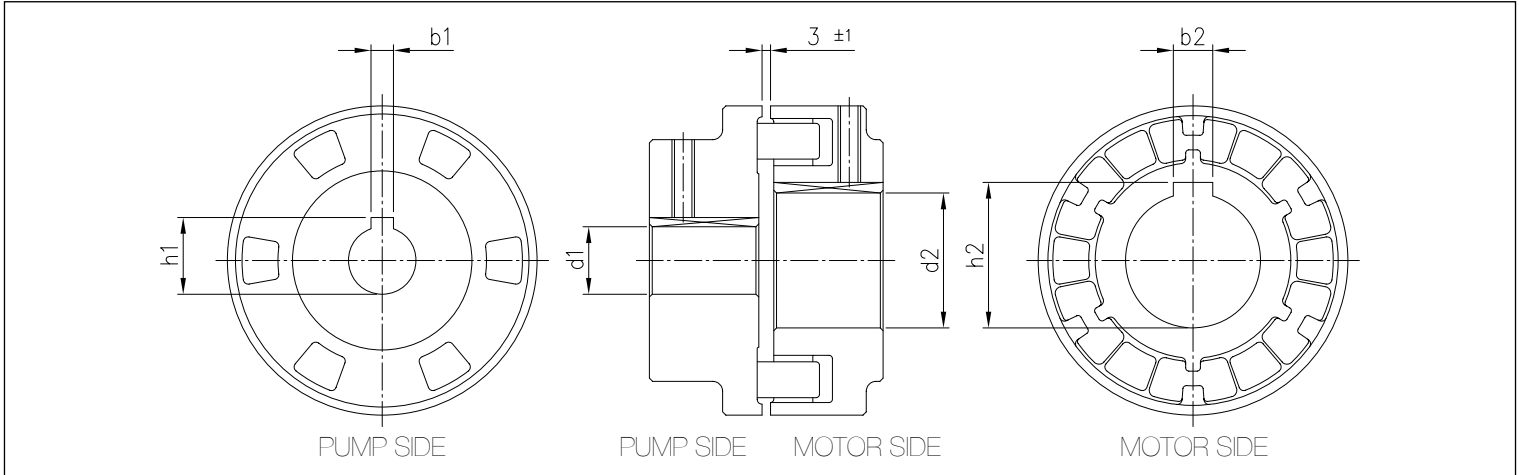
The contents of this publication must not be regarded as binding. EBARA Pumps Europe S.p.A. reserves the right to effect any modification it deems necessary, without prior notice.

3D SERIES

NORMALISED AND MONOBLOCK CENTRIFUGAL ELECTROPUMPS CONFORMING TO EN 733 (EX DIN 24255)

JOINT FOR SERIES 3DP

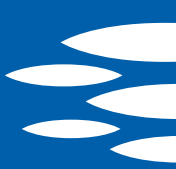
2 Poles



DIMENSIONAL TABLE

Model	[HP]	[kW]	Motor size	Dimensions [mm]					
				d1	b1	h1	d2	b2	h2
3DP 32-125/1.1	1,5	1,1	80	24	8	27,3	19	6	21,8
3DP 32-160/1.5	2	1,5	90	24	8	27,3	24	8	27,3
3DP 32-160/2.2	3	2,2	90	24	8	27,3	24	8	27,3
3DP 32-200/3.0	4	3	100	24	8	27,3	28	8	31,3
3DP 32-200/4.0	5,5	4	112	24	8	27,3	28	8	31,3
3DP 32-200/7.5	10	7,5	132	24	8	27,3	38	10	41,3
3DP 40-125/1.5	2	1,5	90	24	8	27,3	24	8	27,3
3DP 40-125/2.2	3	2,2	90	24	8	27,3	24	8	27,3
3DP 40-160/3.0	4	3	100	24	8	27,3	28	8	31,3
3DP 40-160/4.0	5,5	4	112	24	8	27,3	28	8	31,3
3DP 40-200/5.5	7,5	5,5	132	24	8	27,3	38	10	41,3
3DP 40-200/7.5	10	7,5	132	24	8	27,3	38	10	41,3
3DP 40-200/11	15	11	160	24	8	27,3	42	12	45,3
3DP 50-125/2.2	3	2,2	90	24	8	27,3	24	8	27,3
3DP 50-125/3.0	4	3	100	24	8	27,3	28	8	31,3
3DP 50-125/4.0	5,5	4	112	24	8	27,3	28	8	31,3
3DP 50-160/5.5	7,5	5,5	132	24	8	27,3	38	10	41,3
3DP 50-160/7.5	10	7,5	132	24	8	27,3	38	10	41,3
3DP 50-200/9.2	12,5	9,2	132	24	8	27,3	38	10	41,3
3DP 50-200/11	15	11	160	24	8	27,3	42	12	45,3
3DP 50-200/15	20	15	160	24	8	27,3	42	12	45,3
3DP 65-125/4.0	5,5	4	112	24	8	27,3	28	8	31,3
3DP 65-125/5.5	7,5	5,5	132	24	8	27,3	38	10	41,3
3DP 65-160/7.5	10	7,5	132	24	8	27,3	38	10	41,3
3DP 65-160/9.2	12,5	9,2	132	24	8	27,3	38	10	41,3
3DP 65-160/11	15	11	160	24	8	27,3	42	12	45,3
3DP 65-160/15	20	15	160	24	8	27,3	42	12	45,3
3DP 65-200/15	20	15	160	24	8	27,3	42	12	45,3
3DP 65-200/18.5	25	18,5	160	24	8	27,3	42	12	45,3
3DP 65-200/22	30	22	180	24	8	27,3	48	14	51,8

The contents of the publication must not be regarded as binding. EBARA Pumps Europe S.p.A. reserves the right to effect any modification it deems necessary, without prior notice.

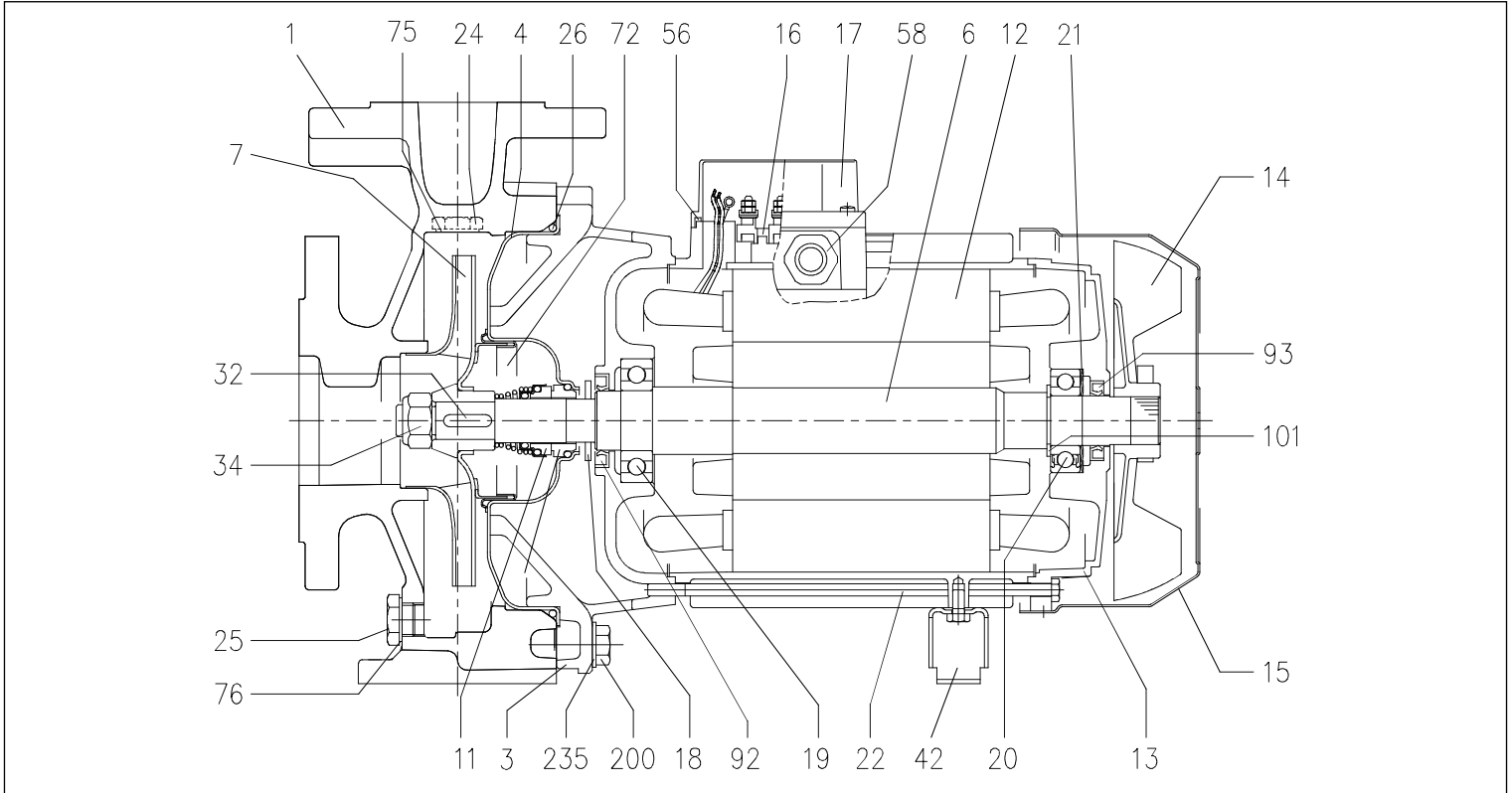


3D SERIES

**NORMALISED AND MONOBLOCK CENTRIFUGAL ELECTROPUMPS
CONFORMING TO EN 733 (EX DIN 24255)**

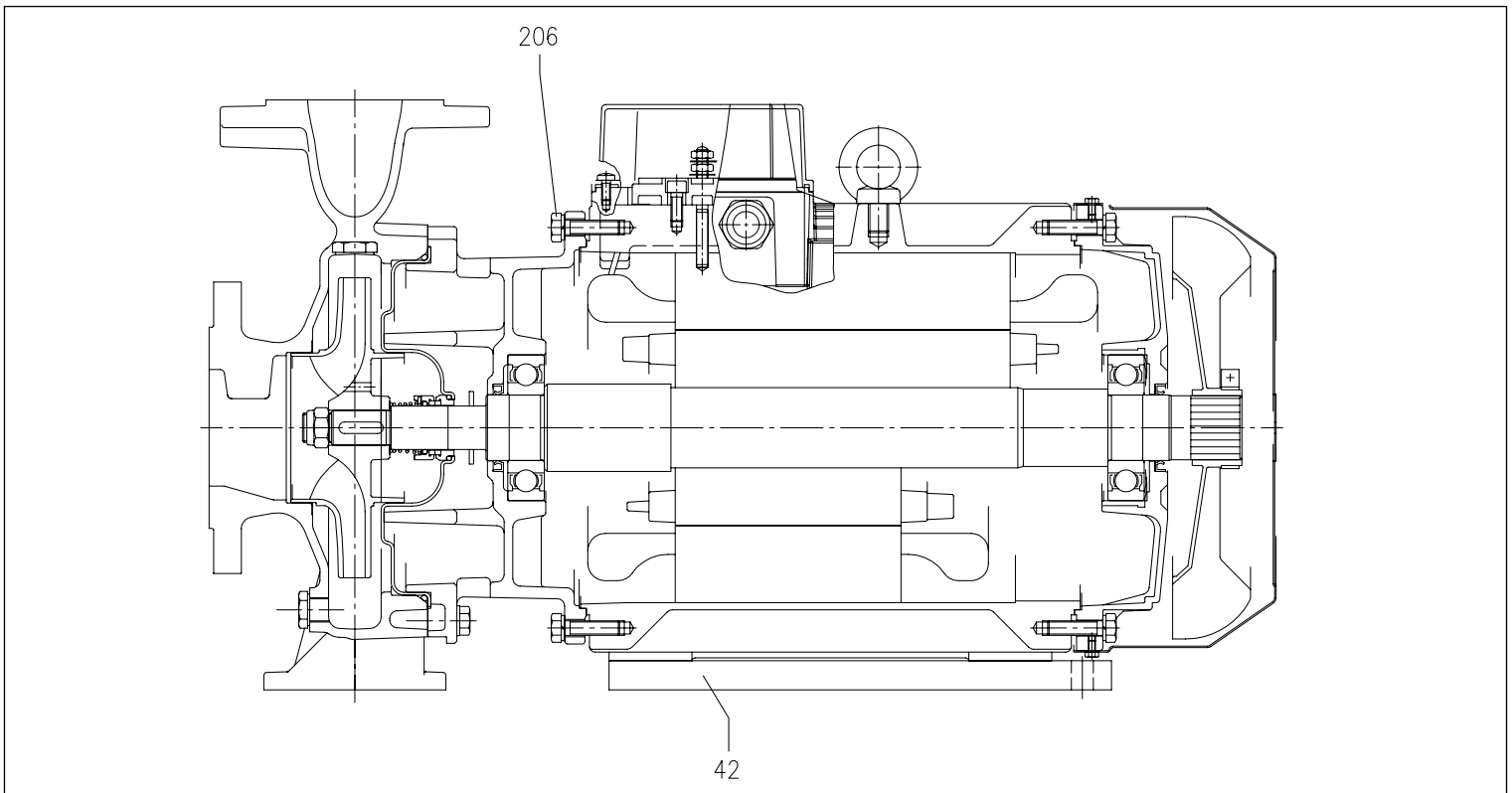
SECTIONAL VIEW 3D 32, 40, 50, 65 SERIES - up to 11 kW

2 Poles



SECTIONAL VIEW 3D 32, 40, 50, 65 SERIES - from 15 kW and above

2 Poles



The contents of this publication must not be regarded as binding. EBARA Pumps Europe S.p.A. reserves the right to effect any modification it deems necessary, without prior notice.

MATERIALS TABLE

Rif.	Name	Material
001	Pump body	Cast iron EN-GJL-250-EN 1561
003	Motor support	[1]
004	Seal housing disc	EN 1.4301 (AISI 304)
006	Shaft (part coming into contact with liquid)	EN 1.4301 (AISI 304)
007	Impeller	[2]
011	Mechanical seal	Ceramic/Carbon/NBR
012	Motor casing	-
013	Motor cover	Aluminium
014	Fan	PA
015	Fan cover	Fe P04 Galvanised
016	Terminal block	-
017	Terminal block cover	Aluminium (for three-phase version only)
018	Splash guard washer	NBR
019	Bearing (pump side)	-
020	Bearing (motor side)	-
021	Adjusting ring	Steel C70
022	Tie rod	Fe 42 Galvanised
	Screw	Galvanised steel 8.8 class ISO 898-1
024	Filler plug	Brass
025	Discharge plug	Brass
026	O-ring	NBR [3]
032	Key	EN 1.4401 (AISI 304)
034	Impeller nut	EN 1.4301 (AISI 304)
042	Foot	Aluminium / Galvanised steel
056	Terminal block	NBR
058	Cable gland	-
072	Wear ring [4]	EN 1.4301 (AISI 304)
075	Washer	Aluminium
076	Washer	Aluminium
092	Sealing ring	-
093	Sealing ring	-
101	Elastic ring [5]	Carbon Steel TC 80
200	Screw	Galvanised steel 8.8 class ISO 898-1
235	Washer	Galvanised steel
206	Screw (support) [6]	Galvanised steel 8.8 class ISO 898-1

[1]= Cast iron EN-GJL-200-EN 1561 for 3D 32-200/3 and models with 15, 18.5 and 22 kW; aluminium AL-EN-1706-AC-46000-D for the remaining models of the range

[2]= EN 1.4301 (AISI 304) for SERIES 3D 32, 40, 50; EN 1.4401 (AISI 316) for SERIES 3D 65

[3]= FPM for versions H, HS, HW, HSW; EDPM for version E

[4]= Only for SERIES 3D 32-200, 40-200, 50-160, 50-200

[5]= Only for 9.2kW and 11kW models

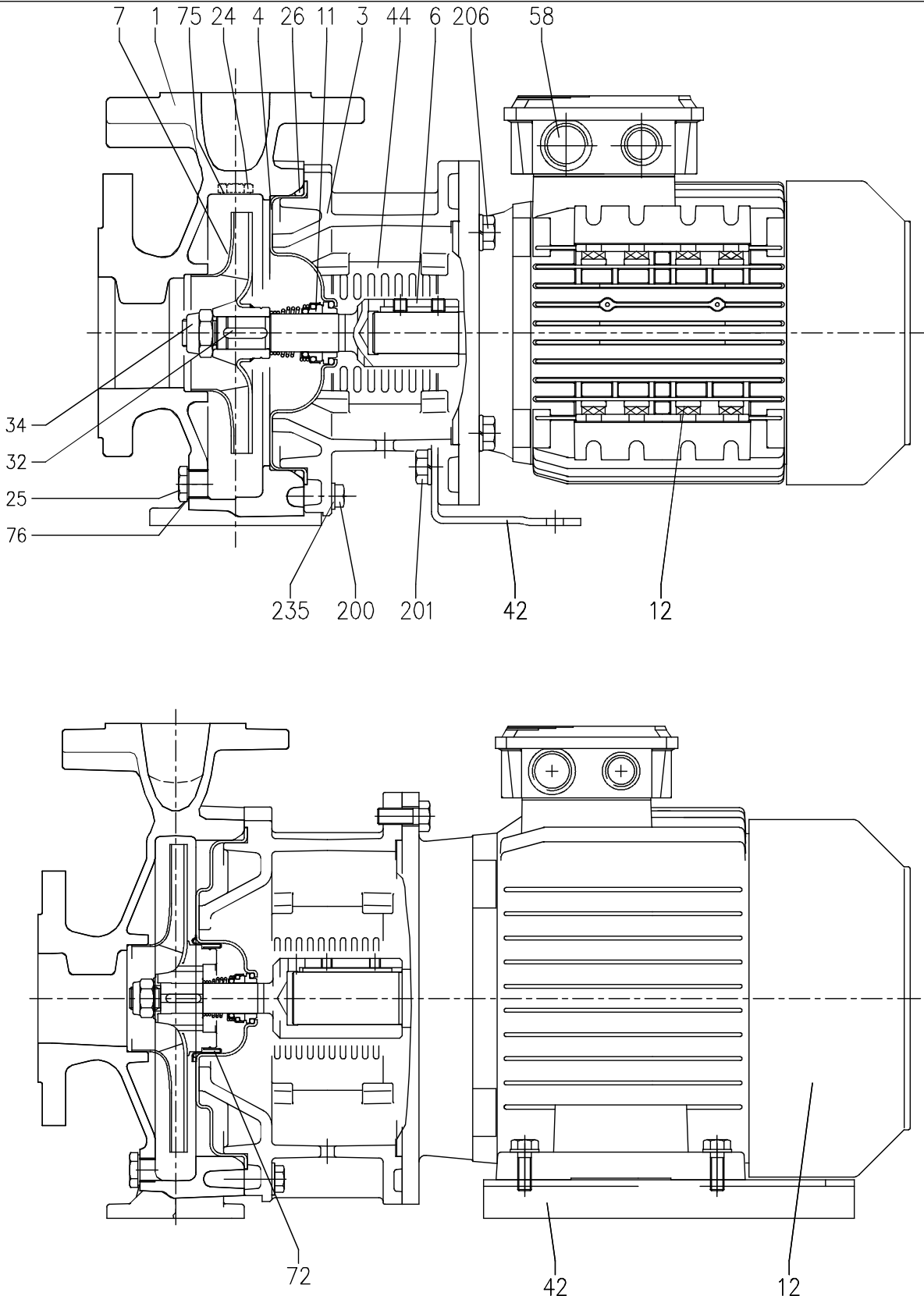
[6]= Only for 11kW models

3D SERIES

NORMALISED AND MONOBLOCK CENTRIFUGAL ELECTROPUMPS
CONFORMING TO EN 733 (EX DIN 24255)

SECTIONAL VIEW 3DS 32, 40, 50 SERIES

2 Poles



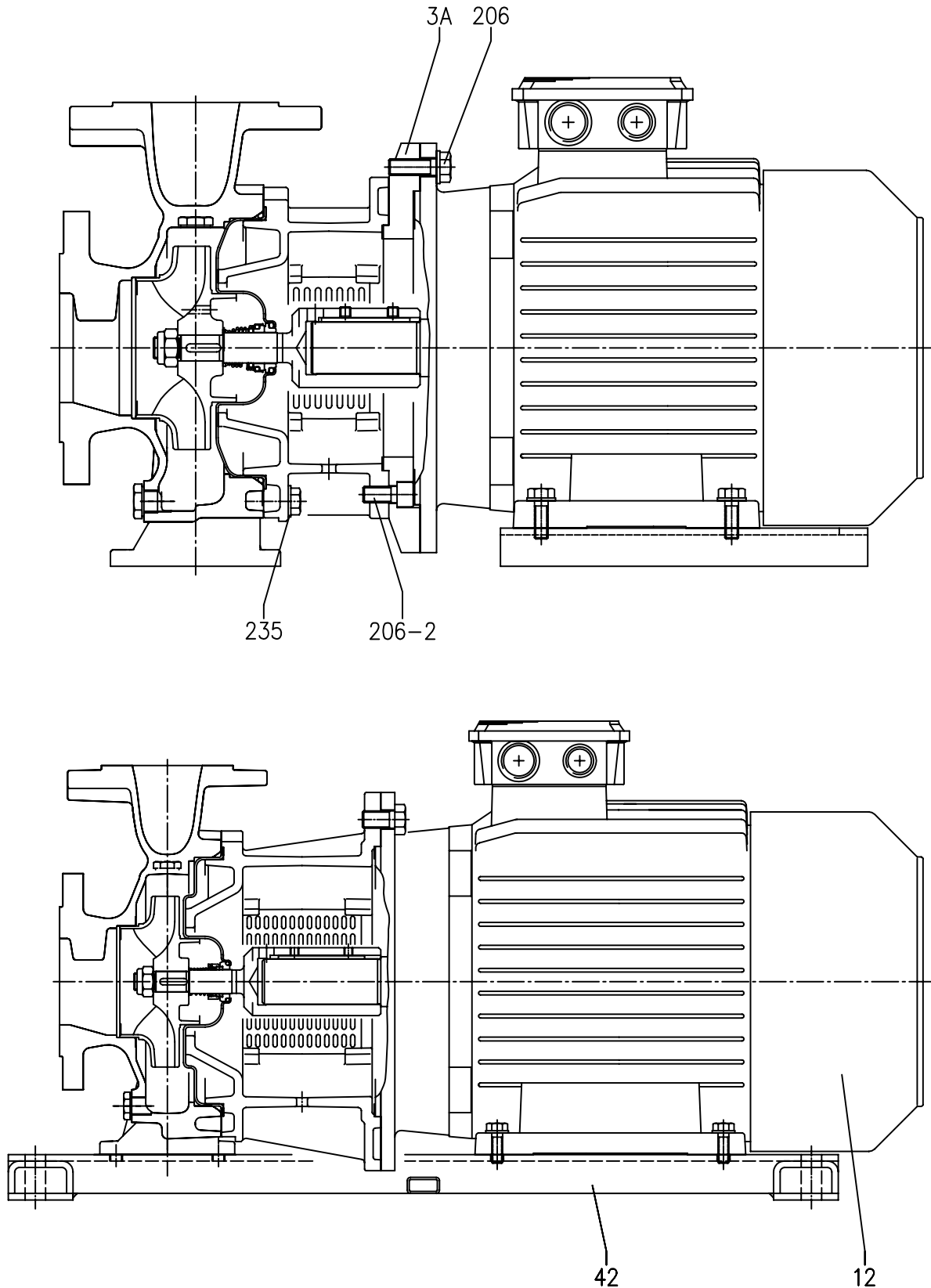
The contents of this publication must not be regarded as binding. EBARA Pumps Europe S.p.A. reserves the right to effect any modification it deems necessary, without prior notice.

3D SERIES

**NORMALISED AND MONOBLOCK CENTRIFUGAL ELECTROPUMPS
CONFORMING TO EN 733 (EX DIN 24255)**

SECTIONAL VIEW 3DS 65 SERIES

2 Poles



The contents of this publication must not be regarded as binding. EBARA Pumps Europe S.p.A. reserves the right to effect any modification it deems necessary, without prior notice.



3D SERIES

NORMALISED AND MONOBLOCK CENTRIFUGAL ELECTROPUMPS CONFORMING TO EN 733 (EX DIN 24255)

MATERIALS TABLE

Rif.	Name	Material
001	Pump body	Cast iron EN-GJL-250-EN 1561
003	Motor support	Cast iron EN-GJL-250-EN 1561
003A	Adapter ring [1]	Cast iron EN-GJL-250-EN 1561
004	Rotor shaft	EN 1.4301 (AISI 304)
006	Joint (part coming into contact with liquid)	EN 1.4301 (AISI 304)
007	Impeller	[2]
011	Mechanical seal	Ceramic/Carbon/NBR
012	Motor	-
024	Filler plug	Brass
025	Discharge plug	Brass
026	O-ring	NBR [3]
032	Key	EN 1.4401 (AISI 304)
034	Impeller nut	EN 1.4301 (AISI 304)
042	Foot	Galvanised steel
044	Support protection	EN 1.4301 (AISI 304)
058	Cable gland	-
072	Wear ring [4]	EN 1.4301 (AISI 304)
075	Washer	Aluminium
076	Washer	Aluminium
200	Screw	Galvanised steel 8.8 class ISO 898-1
201	Screw [5]	Galvanised steel 8.8 class ISO 898-1
206	Screw (support)	Galvanised steel 8.8 class ISO 898-1
206-2	Adapter ring screw	Galvanised steel 8.8 class ISO 898-1
235	Washer	Galvanised steel

[1]= Only for SERIES 3D models 65-125/5.5 and 65-125/7.5

[2]= EN 1.4301 (AISI 304) for SERIES 3D 32, 40, 50; EN 1.4401 (AISI 316) for SERIES 3D 65

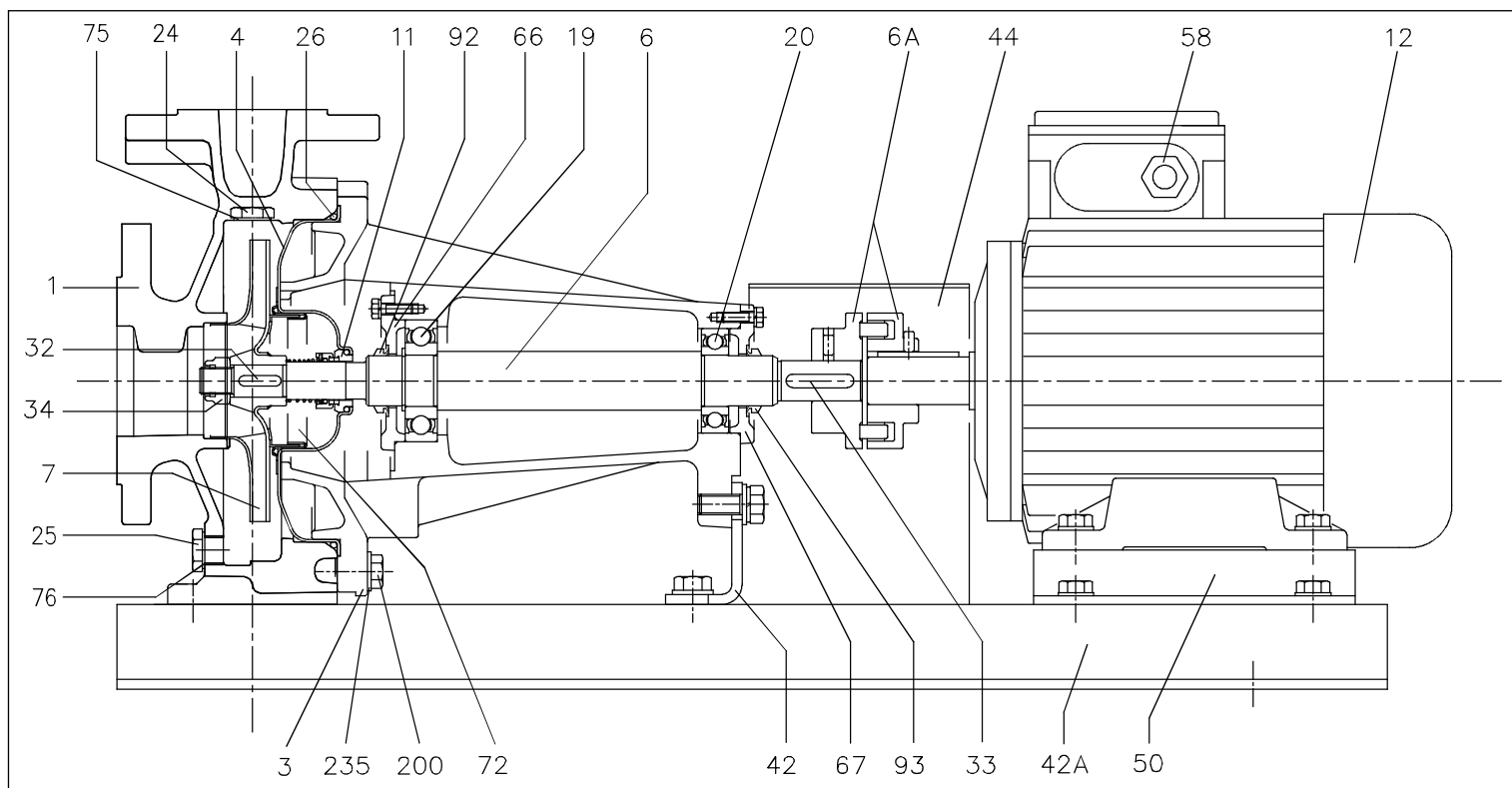
[3]= FPM for versions H, HS, HW, HSW; EPDM for version E

[4]= Only for SERIES 3D models 32-200, 40-200, 50-160, 50-200

[5]= Only for SERIES 3D models 32-125/1.1, 32-160/1.5, 32-160/2.2, 40-125/1.5, 40-125/2.2, 50-125/2.2

SECTIONAL VIEW 3DP 32, 40, 50, 65 SERIES

2 Poles



MATERIALS TABLE

Rif.	Name	Material
001	Pump body	Cast iron EN-GJL-250-EN 1561
003	Motor support	Cast iron EN-GJL-250-EN 1561
004	Seal housing disc	EN 1.4301 (AISI 304)
006	Rotor shaft (part coming into contact with liquid)	EN 1.4301 (AISI 304)
006A	Flexible joint	Cast iron EN-GJL-250-EN 1561
007	Impeller	[1]
011	Mechanical seal	Ceramic/Carbon/NBR
012	Motor	-
019	Bearing	-
020	Bearing	-
024	Filler plug	Brass
025	Discharge plug	Brass
026	O-ring	NBR [2]
032	Key	EN 1.4401 (AISI 316)
033	Key	C 40
034	Impeller nut	EN 1.4301 (AISI 304)
042	Pump support	Fe 37 Galvanised
042A	Base	Fe 37 Galvanised
044	Support protection	Fe 37 Galvanised
050	Foot	Aluminium / Galvanised steel
058	Cable gland	-
066	Bearing cover (impeller side)	Cast iron EN-GJL-250-EN 1561
067	Bearing cover (motor side)	Cast iron EN-GJL-250-EN 1561
072	Wear ring [3]	EN 1.4301 (AISI 304)
075	Washer	Aluminium
076	Washer	Aluminium
092	V-ring	-
093	V-ring	-
200	Screw	Galvanised steel 8.8 class ISO 898-1
235	Washer	Galvanised steel

[1]= EN 1.4301 (AISI 304) for SERIES 3D 32, 40, 50; EN 1.4401 (AISI 316) for SERIES 3D 65

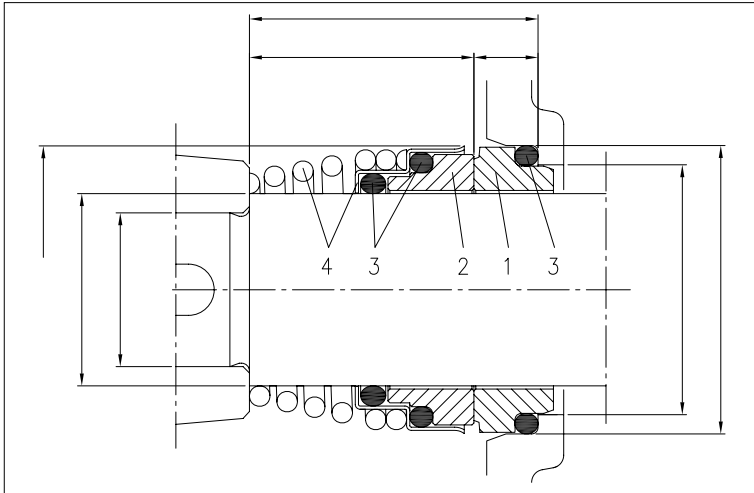
[2]= FPM for versions H, HS, HW, HSW; EPDM for version E

[3]= Only for SERIES 3D models 32-200, 40-200, 50-160, 50-200

3D SERIES

NORMALISED AND MONOBLOCK CENTRIFUGAL ELECTROPUMPS CONFORMING TO EN 733 (EX DIN 24255)

MECHANICAL SEAL standard version



MATERIALS TABLE

Rif.	Name	Material
1	Fixed part	Carbon
2	Rotary part	Ceramic
3	Seal	NBR
4	Frame + spring	EN 1.4401 (AISI 316)

SPECIAL MECHANICAL SEALS (on request)

Rif.	Name	Version H	Version HS	Material Version HW	Version HSW	Version E
1	Fixed part	Carbon	SiC	Tungsten carbide	Tungsten carbide	Carbon
2	Rotary part	Ceramic	SiC	Tungsten carbide	SiC	Ceramic
3	Seal	FPM	FPM	FPM	FPM	EPDM
4	Frame + spring	EN 1.4401 (AISI 316)	EN 1.4571 (AISI 316Ti)	EN 1.4401 (AISI 316)	EN 1.4401 (AISI 316)	EN 1.4401 (AISI 316)

3D SERIES

NORMALISED AND MONOBLOCK CENTRIFUGAL ELECTROPUMPS CONFORMING TO EN 733 (EX DIN 24255)

ELECTRIC DATA TABLE 3D SERIES

2 Poles

Single-phase 230V	Model Three-phase 230/400/690V	P ₂		Motor efficiency		Capacitor Single-phase		Efficiency (%) Three-phase			Absorbed Current [A]			
		[HP]	[kW]	Single-phase	Three-phase	μF	V.	50%	75%	100%	Single-phase 230V	Three-phase		
												230V	400V	690V
3D 32-125/1.1 M	3D 32-125/1.1	1,5	1,1	-	IE2	31,5	450	79,5	82,0	82,5	6,7	5,6	3,2	-
3D 32-160/1.5 M	3D 32-160/1.5	2	1,5	-	IE2	40	450	79,5	82,0	82,5	9,6	5,6	3,2	-
3D 32-160/2.2 M	3D 32-160/2.2	3	2,2	-	IE2	50	450	83,1	85,7	86,2	13,3	7,8	4,5	-
-	3D 32-200/3.0	4	3	-	IE2	-	-	85,0	86,7	86,3	-	10,6	6,1	-
-	3D 32-200/4.0	5,5	4	-	IE2	-	-	84,3	87,2	87,8	-	15,1	8,7	-
-	3D 32-200/7.5	10	7,5	-	IE3	-	-	89,0	90,7	90,8	-	-	13,6	7,9
3D 40-125/1.5 M	3D 40-125/1.5	2	1,5	-	IE2	40	450	79,5	82,0	82,5	9,6	5,6	3,2	-
3D 40-125/2.2 M	3D 40-125/2.2	3	2,2	-	IE2	50	450	83,1	85,7	86,2	13,3	7,8	4,5	-
-	3D 40-160/3.0	4	3	-	IE2	-	-	85,0	86,7	86,3	-	10,6	6,1	-
-	3D 40-160/4.0	5,5	4	-	IE2	-	-	84,3	87,2	87,8	-	15,1	8,7	-
-	3D 40-200/5.5	7,5	5,5	-	IE2	-	-	82,9	86,0	87,4	-	-	10,4	6,0
-	3D 40-200/7.5	10	7,5	-	IE3	-	-	89,0	90,7	90,8	-	-	13,6	7,9
-	3D 40-200/11	15	11	-	IE3	-	-	90,4	91,2	91,8	-	-	21,3	12,3
3D 50-125/2.2 M	3D 50-125/2.2	3	2,2	-	IE2	50	450	83,1	85,7	86,2	13,3	7,8	4,5	-
-	3D 50-125/3.0	4	3	-	IE2	-	-	85,0	86,7	86,3	-	10,6	6,1	-
-	3D 50-125/4.0	5,5	4	-	IE2	-	-	84,3	87,2	87,8	-	15,1	8,7	-
-	3D 50-160/5.5	7,5	5,5	-	IE2	-	-	82,9	86,0	87,4	-	-	10,4	6,0
-	3D 50-160/7.5	10	7,5	-	IE3	-	-	89,0	90,7	90,8	-	-	13,6	7,9
-	3D 50-200/9.2	12,5	9,2	-	IE3	-	-	90,1	90,8	90,9	-	-	17,2	10,0
-	3D 50-200/11	15	11	-	IE3	-	-	90,4	91,2	91,8	-	-	21,3	12,3
-	3D 50-200/15	20	15	-	IE3	-	-	91,2	92,0	91,9	-	-	27,7	17,3
-	3D 65-125/4.0	5,5	4	-	IE2	-	-	84,3	87,2	87,8	-	15,1	8,7	-
-	3D 65-125/5.5	7,5	5,5	-	IE2	-	-	82,9	86,0	87,4	-	-	10,4	6,0
-	3D 65-125/7.5	10	7,5	-	IE3	-	-	89,0	90,7	90,8	-	-	13,6	7,9
-	3D 65-160/7.5	10	7,5	-	IE3	-	-	89,0	90,7	90,8	-	-	13,6	7,9
-	3D 65-160/9.2	12,5	9,2	-	IE3	-	-	90,1	90,8	90,9	-	-	17,2	10,0
-	3D 65-160/11	15	11	-	IE3	-	-	90,4	91,2	91,8	-	-	21,3	12,3
-	3D 65-160/15	20	15	-	IE3	-	-	91,2	92,0	91,9	-	-	27,7	17,3
-	3D 65-200/15	20	15	-	IE3	-	-	91,2	92,0	91,9	-	-	27,7	17,3
-	3D 65-200/18.5	25	18,5	-	IE3	-	-	91,6	93,0	92,6	-	-	35,0	20,3
-	3D 65-200/22	30	22	-	IE3	-	-	92,0	93,1	93,2	-	-	39,7	23,6

3D SERIES

NORMALISED AND MONOBLOCK CENTRIFUGAL ELECTROPUMPS CONFORMING TO EN 733 (EX DIN 24255)

ELECTRIC DATA TABLE 3DS - 3DP SERIES

2 Poles

SERIE 3DS Three-phase 230/400/690V	Model SERIE 3DP Three-phase 230/400/690V	Motor Size	P ₂		Motor efficiency	Efficiency (%) Three-phase			Absorbed Current [A]		
			[HP]	[kW]		η % 75%	100%	Three-phase			
								50%	230V	400V	690V
3DS 32-125/1.1	3DP 32-125/1.1	80	1,5	1,1	IE2	79.5	81.2	81.5	4.3	2.5	-
					IE3	78.7	81.7	82.7	4.2	2.4	-
3DS 32-160/1.5	3DP 32-160/1.5	90S	2	1,5	IE2	81.0	82.8	82.8	5.5	3.2	-
					IE3	83.2	84.8	84.2	5.2	3.0	-
3DS 32-160/2.2	3DP 32-160/2.2	90L	3	2,2	IE2	82.5	84.0	84.0	7.6	4.4	-
					IE3	85.0	86.2	86.5	8.0	4.6	-
3DS 32-200/3.0	3DP 32-200/3.0	100L	4	3	IE2	84.1	85.8	85.5	10.2	5.9	-
					IE3	82.3	85.8	87.1	9.7	5.6	-
3DS 32-200/4.0	3DP 32-200/4.0	112M	5,5	4	IE2	85.2	86.4	86.1	13.5	7.8	-
					IE3	86.8	87.8	88.1	12.1	7.0	-
3DS 32-200/7.5	3DP 32-200/7.5	132S	10	7,5	IE3	88.6	89.2	90.1	-	13.1	7.6
3DS 40-125/1.5	3DP 40-125/1.5	90S	2	1,5	IE2	81.0	82.8	82.8	5.5	3.2	-
					IE3	83.2	84.8	84.2	5.2	3.0	-
3DS 40-125/2.2	3DP 40-125/2.2	90L	3	2,2	IE2	82.5	84.0	84.0	7.6	4.4	-
					IE3	85.0	86.2	86.5	8.0	4.6	-
3DS 40-160/3.0	3DP 40-160/3.0	100L	4	3	IE2	84.1	85.8	85.5	10.2	5.9	-
					IE3	82.3	85.8	87.1	9.7	5.6	-
3DS 40-160/4.0	3DP 40-160/4.0	112M	5,5	4	IE2	85.2	86.4	86.1	13.5	7.8	-
					IE3	86.8	87.8	88.1	12.1	7.0	-
3DS 40-200/5.5	3DP 40-200/5.5	132S	7,5	5,5	IE2	85.8	87.4	87.3	-	10.4	6.0
					IE3	88.0	88.5	89.2	-	10.0	5.8
3DS 40-200/7.5	3DP 40-200/7.5	160M	1,0	7,5	IE3	88.6	89.2	90.1	-	13.1	7.6
3DS 40-200/11	3DP 40-200/11		1,5	11	IE3	87.4	89.8	91.2	-	19.7	11.4
3DS 50-125/2.2	3DP 50-125/2.2	90L	3	2,2	IE2	82.5	84.0	84.0	7.6	4.4	-
					IE3	85.0	86.2	86.5	8.0	4.6	-
3DS 50-125/3.0	3DP 50-125/3.0	100L	4	3	IE2	84.1	85.8	85.5	10.2	5.9	-
					IE3	82.3	85.8	87.1	9.7	5.6	-
3DS 50-125/4.0	3DP 50-125/4.0	112M	5,5	4	IE2	85.2	86.4	86.1	13.5	7.8	-
					IE3	86.8	87.8	88.1	12.1	7.0	-
3DS 50-160/5.5	3DP 50-160/5.5	132S	7,5	5,5	IE2	85.8	87.4	87.3	-	10.4	6.0
					IE3	88.0	88.5	89.2	-	10.0	5.8
3DS 50-160/7.5	3DP 50-160/7.5	132M	1,0	7,5	IE3	88.6	89.2	90.1	-	13.1	7.6
3DS 50-200/9.2	3DP 50-200/9.2		12,5	9,2	IE3	88.6	89.8	90.7	-	16.5	9.5
3DS 50-200/11	3DP 50-200/11	160M	15	11	IE3	87.4	89.8	91.2	-	19.7	11.4
3DS 50-200/15	3DP 50-200/15		20	15	IE3	91.0	91.3	91.9	-	26.7	15.4
3DS 65-125/4	3DP 65-125/4	112M	5,5	4	IE2	85.2	86.4	86.1	13.5	7.8	-
					IE3	86.8	87.8	88.1	12.1	7.0	-
3DS 65-125/5.5	3DP 65-125/5.5	132S	7,5	5,5	IE2	85.8	87.4	87.3	-	10.4	6.0
					IE3	88.0	88.5	89.2	-	10.0	5.8
3DS 65-125/7.5	3DP 65-125/7.5	132M	10	7,5	IE3	88.6	89.2	90.1	-	13.1	7.6
3DS 65-160/7.5	3DP 65-160/7.5				88.6	89.2	90.1	-	13.1	7.6	
3DS 65-160/9.2	3DP 65-160/9.2	160M	15	11	IE3	88.6	89.2	90.1	-	13.1	7.6
3DS 65-160/11	3DP 65-160/11				15	11	IE3	87.4	89.8	91.2	-
3DS 65-160/15	3DP 65-160/15	180M	20	15	IE3	91.0	91.3	91.9	-	26.7	15.4
3DS 65-200/15	3DP 65-200/15				20	15	IE3	91.0	91.3	91.9	-
3DS 65-200/18.5	3DP 65-200/18.5	160L	25	18,5	IE3	91.6	92.8	92.4	-	33.0	19.1
3DS 65-200/22	3DP 65-200/22	180M	30	22	IE3	92.3	92.9	92.9	-	38.0	22.0

The contents of this publication must not be regarded as binding. EBARA Pumps Europe S.p.A. reserves the right to effect any modification it deems necessary, without prior notice.

3D SERIES

NORMALISED AND MONOBLOCK CENTRIFUGAL ELECTROPUMPS CONFORMING TO EN 733 (EX DIN 24255)

NOISE DATA TABLE 3D SERIES

2 Poles

Model	P ₂		L _{pa} - dB(A)*
	[HP]	[kW]	
3D 32-125/1.1 (M)	1,5	1,1	69
3D 32-160/1.5 (M)	2	1,5	
3D 32-160/2.2 (M)	3	2,2	
3D 32-200/3.0	4	3	76
3D 32-200/4.0	5,5	4	
3D 32-200/7.5	10	7,5	79
3D 40-125/1.5 (M)	2	1,5	69
3D 40-125/2.2 (M)	3	2,2	
3D 40-160/3.0	4	3	76
3D 40-160/4.0	5,5	4	
3D 40-200/5.5	7,5	5,5	79
3D 40-200/7.5	10	7,5	
3D 40-200/11	15	11	82
3D 50-125/2.2 (M)	3	2,2	69
3D 50-125/3.0	4	3	76
3D 50-125/4.0	5,5	4	
3D 50-160/5.5	7,5	5,5	79
3D 50-160/7.5	10	7,5	
3D 50-200/9.2	12,5	9,2	82
3D 50-200/11	15	11	
3D 50-200/15	20	15	86
3D 65-125/4.0	5,5	4	76
3D 65-125/5.5	7,5	5,5	79
3D 65-125/7.5	10	7,5	
3D 65-160/7.5	10	7,5	82
3D 65-160/9.2	12,5	9,2	
3D 65-160/11	15	11	86
3D 65-160/15	20	15	
3D 65-200/15	20	15	
3D 65-200/18,5	25	18,5	
3D 65-200/22	30	22	

* Mean value of several measures at 1m distance around the pump.
Tolerance ± 2.5 dB.

NOISE DATA TABLE 3DS - 3DP SERIES

2 Poles

Model		P ₂		L _{pa} - dB(A)*
3DS	3DP	[HP]	[kW]	
3DS 32-125/1.1	3DP 32-125/1.1	1,5	1,1	<70
3DS 32-160/1.5	3DP 32-160/1.5	2	1,5	
3DS 32-160/2.2	3DP 32-160/2.2	3	2,2	
3DS 32-200/3.0	3DP 32-200/3.0	4	3	73
3DS 32-200/4.0	3DP 32-200/4.0	5,5	4	
3DS 32-200/7.5	3DP 32-200/7.5	10	7,5	77
3DS 40-125/1.5	3DP 40-125/1.5	2	1,5	<70
3DS 40-125/2.2	3DP 40-125/2.2	3	2,2	
3DS 40-160/3.0	3DP 40-160/3.0	4	3	73
3DS 40-160/4.0	3DP 40-160/4.0	5,5	4	
3DS 40-200/5.5	3DP 40-200/5.5	7,5	5,5	77
3DS 40-200/7.5	3DP 40-200/7.5	10	7,5	
3DS 40-200/11	3DP 40-200/11	15	11	79
3DS 50-125/2.2	3DP 50-125/2.2	3	2,2	<70
3DS 50-125/3.0	3DP 50-125/3.0	4	3	
3DS 50-125/4.0	3DP 50-125/4.0	5,5	4	73
3DS 50-160/5.5	3DP 50-160/5.5	7,5	5,5	77
3DS 50-160/7.5	3DP 50-160/7.5	10	7,5	
3DS 50-200/9.2	3DP 50-200/9.2	12,5	9,2	79
3DS 50-200/11	3DP 50-200/11	15	11	
3DS 50-200/15	3DP 50-200/15	20	15	73
3DS 65-125/4.0	3DP 65-125/4.0	5,5	4	77
3DS 65-125/5.5	3DP 65-125/5.5	7,5	5,5	
3DS 65-125/7.5	3DP 65-125/7.5	10	7,5	79
3DS 65-160/7.5	3DP 65-160/7.5	10	7,5	
3DS 65-160/9.2	3DP 65-160/9.2	12,5	9,2	80
3DS 65-160/11	3DP 65-160/11	15	11	
3DS 65-160/15	3DP 65-160/15	20	15	
3DS 65-200/15	3DP 65-200/15	20	15	
3DS 65-200/18.5	3DP 65-200/18.5	25	18,5	
3DS 65-200/22	3DP 65-200/22	30	22	

* Mean value of several measures at 1m distance around the pump.
Tolerance ± 2.5 dB.

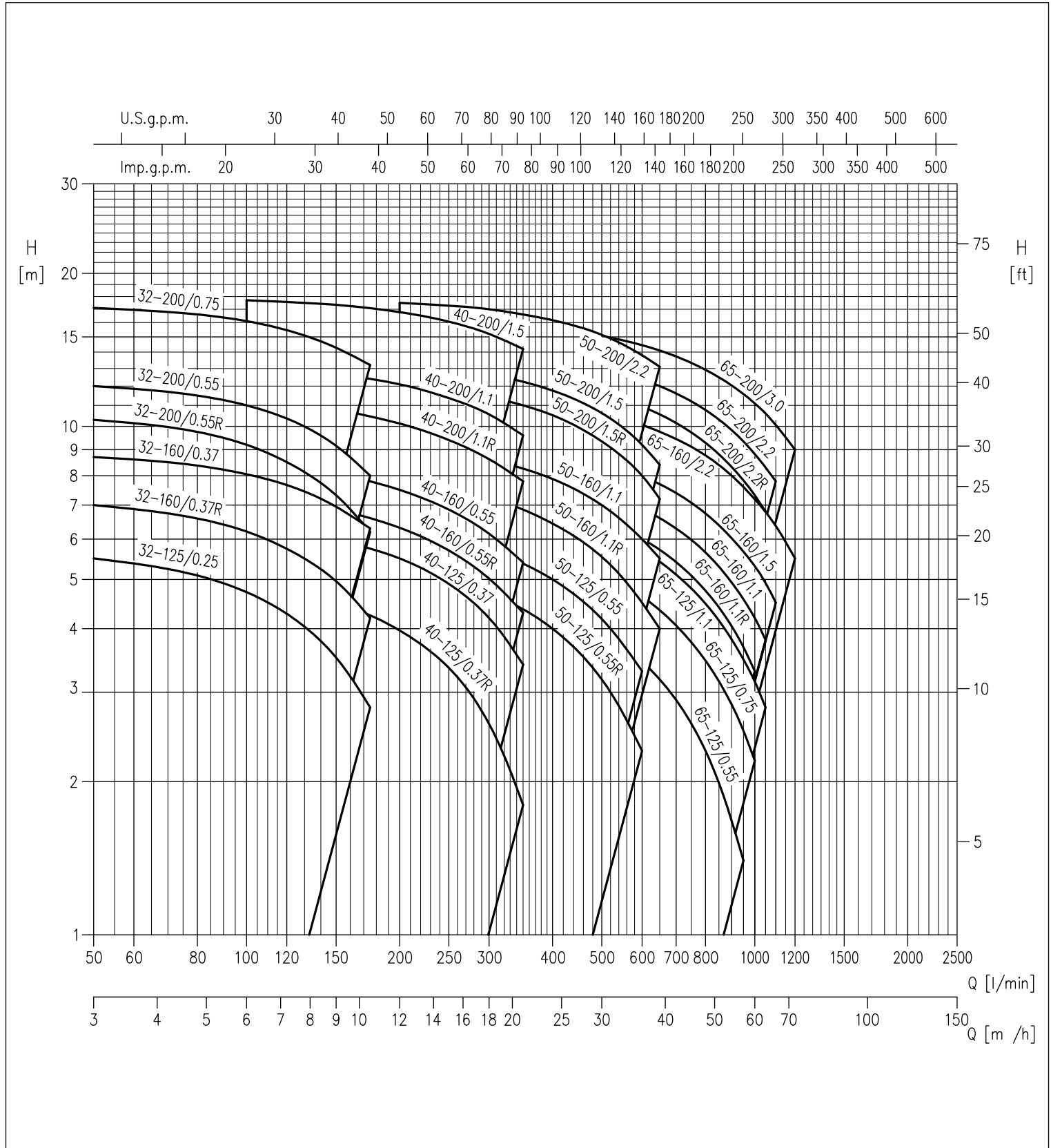


3D SERIES

NORMALISED AND MONOBLOCK CENTRIFUGAL ELECTROPUMPS CONFORMING TO EN 733 (EX DIN 24255)

PERFORMANCE RANGE at 1400 min⁻¹ (according to ISO 9906 Attachment A)

4 Poles



The contents of this publication must not be regarded as binding. EBARA Pumps Europe S.p.A. reserves the right to effect any modification it deems necessary, without prior notice.

3D SERIES

NORMALISED AND MONOBLOCK CENTRIFUGAL ELECTROPUMPS CONFORMING TO EN 733 (EX DIN 24255)

3D SERIES(.)4 32 PERFORMANCE TABLE

4 Poles

Model	P ₂		Q=Flow rate				
	[HP]	[kW]	l/min m ³ /h	50 3	100 6	150 9	175 10,5
			H=Head [m]				
3D(.)4 32-125/0.25	0,33	0,25		5,5	4,7	3,5	2,8
3D(.)4 32-125/0.37R	0,5	0,37		7,0	6,2	5,0	4,2
3D(.)4 32-125/0.37	0,5	0,37		8,7	8,1	7,0	6,3
3D(.)4 32-125/0.55R	0,75	0,55		10,3	9,2	7,3	6,2
3D(.)4 32-125/0.55	0,75	0,55		12,0	11,0	9,2	8,0
3D(.)4 32-125/0.75	1	0,75		17,1	16,1	14,3	13,2

3D SERIES(.)4 40 PERFORMANCE TABLE

4 Poles

Model	P ₂		Q=Flow rate							
	[HP]	[kW]	l/min m ³ /h	100 6	150 9	175 10,5	200 12	250 15	300 18	350 21
			H=Head [m]							
3D(.)4 40-125/0.37R	0,5	0,37		4,8	4,5	4,3	4,0	3,4	2,6	1,8
3D(.)4 40-125/0.37	0,5	0,37		6,3	6,0	5,8	5,5	4,9	4,2	3,4
3D(.)4 40-160/0.55R	0,75	0,55		7,3	6,9	6,6	6,3	5,7	5,0	4,3
3D(.)4 40-160/0.55	0,75	0,55		8,6	8,1	7,8	7,5	6,9	6,2	5,4
3D(.)4 40-200/1.1R	1,5	1,1		11,2	10,8	10,5	10,1	9,4	8,6	7,8
3D(.)4 40-200/1.1	1,5	1,1		13,2	12,7	12,4	12,1	11,4	10,6	9,6
3D(.)4 40-200/1.5	2	1,5		17,7	17,3	17,1	16,8	16,1	15,2	14,2

3D SERIES(.)4 50 PERFORMANCE TABLE

4 Poles

Model	P ₂		Q=Flow rate								
	[HP]	[kW]	l/min m ³ /h	200 12	250 15	300 18	350 21	400 24	500 30	600 36	650 39
			H=Head [m]								
3D(.)4 50-125/0.55R	0,75	0,55		5,2	5,0	4,7	4,4	4,0	3,2	2,3	-
3D(.)4 50-125/0.55	0,75	0,55		6,2	6,0	5,7	5,4	5,0	4,2	3,3	-
3D(.)4 50-160/1.1R	1,5	1,1		7,8	7,6	7,2	6,9	6,4	5,5	4,5	4,0
3D(.)4 50-160/1.1	1,5	1,1		9,1	8,9	8,6	8,3	7,9	7,0	6,0	5,5
3D(.)4 50-200/1.5R	2	1,5		12,1	11,8	11,4	11,0	10,5	9,3	8,0	7,2
3D(.)4 50-200/0.1.5	2	1,5		13,3	13,0	12,7	12,2	11,8	10,6	9,2	8,4
3D(.)4 50-200/2.2	3	2,2		17,5	17,3	17,0	16,6	16,2	15,1	13,8	13,1

3D SERIES(.)4 65 PERFORMANCE TABLE

4 Poles

Model	P ₂		Q=Flow rate										
	[HP]	[kW]	l/min m ³ /h	300 18	350 21	500 30	600 36	800 48	950 57	1000 60	1050 63	1100 66	1200 72
			H=Head [m]										
3D(.)4 65-125/0.55	0,75	0,55		4,8	4,6	4,0	3,5	2,3	1,4	-	-	-	-
3D(.)4 65-125/0.75	1	0,75		6,0	5,8	5,2	4,6	3,5	2,5	2,2	-	-	-
3D(.)4 65-125/1.1	1,50	1,10		7,2	7,0	6,3	5,7	4,5	3,5	3,2	2,8	-	-
3D(.)4 65-160/1.1	1,50	1,10		-	8,1	7,4	6,9	5,7	4,6	4,2	3,8	-	-
3D(.)4 65-160/1.5	2	1,50		-	9,2	8,5	8,0	6,7	5,7	5,3	4,9	4,5	-
3D(.)4 65-160/2.2	3	2,20		-	11,3	10,6	10,1	8,8	7,6	7,2	6,8	6,4	5,5
3D(.)4 65-200/2.2R	3	2,20		-	12,4	11,6	10,9	9,3	7,8	7,3	6,8	-	-
3D(.)4 65-200/2.2	3	2,20		-	13,9	13,0	12,4	10,8	9,3	8,8	8,3	7,8	-
3D(.)4 65-200/3	4	3		-	15,8	15,1	14,4	12,9	11,6	11,1	10,6	10,1	9

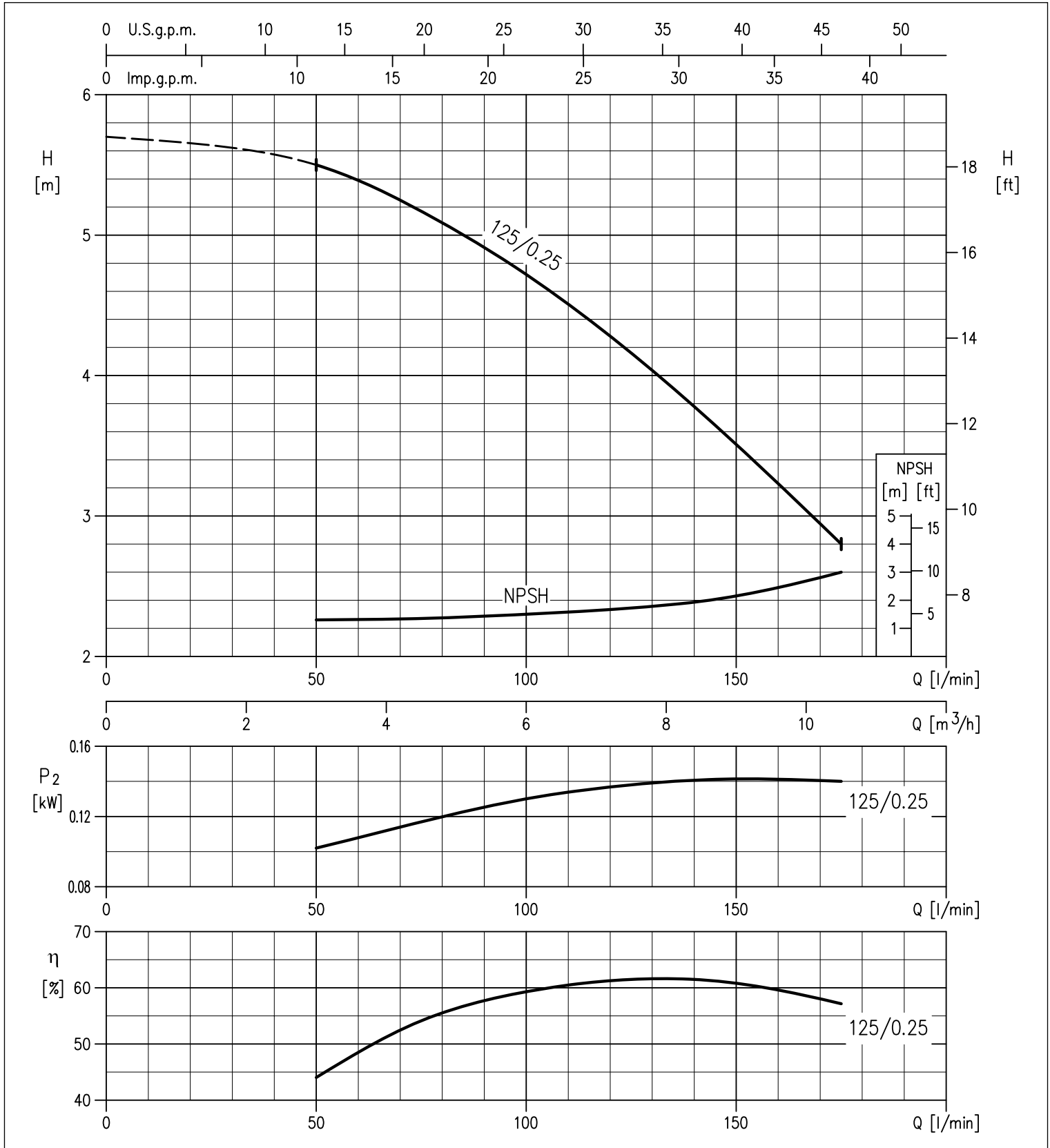


3D SERIES

NORMALISED AND MONOBLOCK CENTRIFUGAL ELECTROPUMPS
CONFORMING TO EN 733 (EX DIN 24255)

PERFORMANCE CURVES 3D(.)4 32-125 series at 1400 min⁻¹ (according to ISO 9906 Attachment A)

4 Poles



The contents of this publication must not be regarded as binding. EBARA Pumps Europe SpA reserves the right to effect any modification it deems necessary, without prior notice.

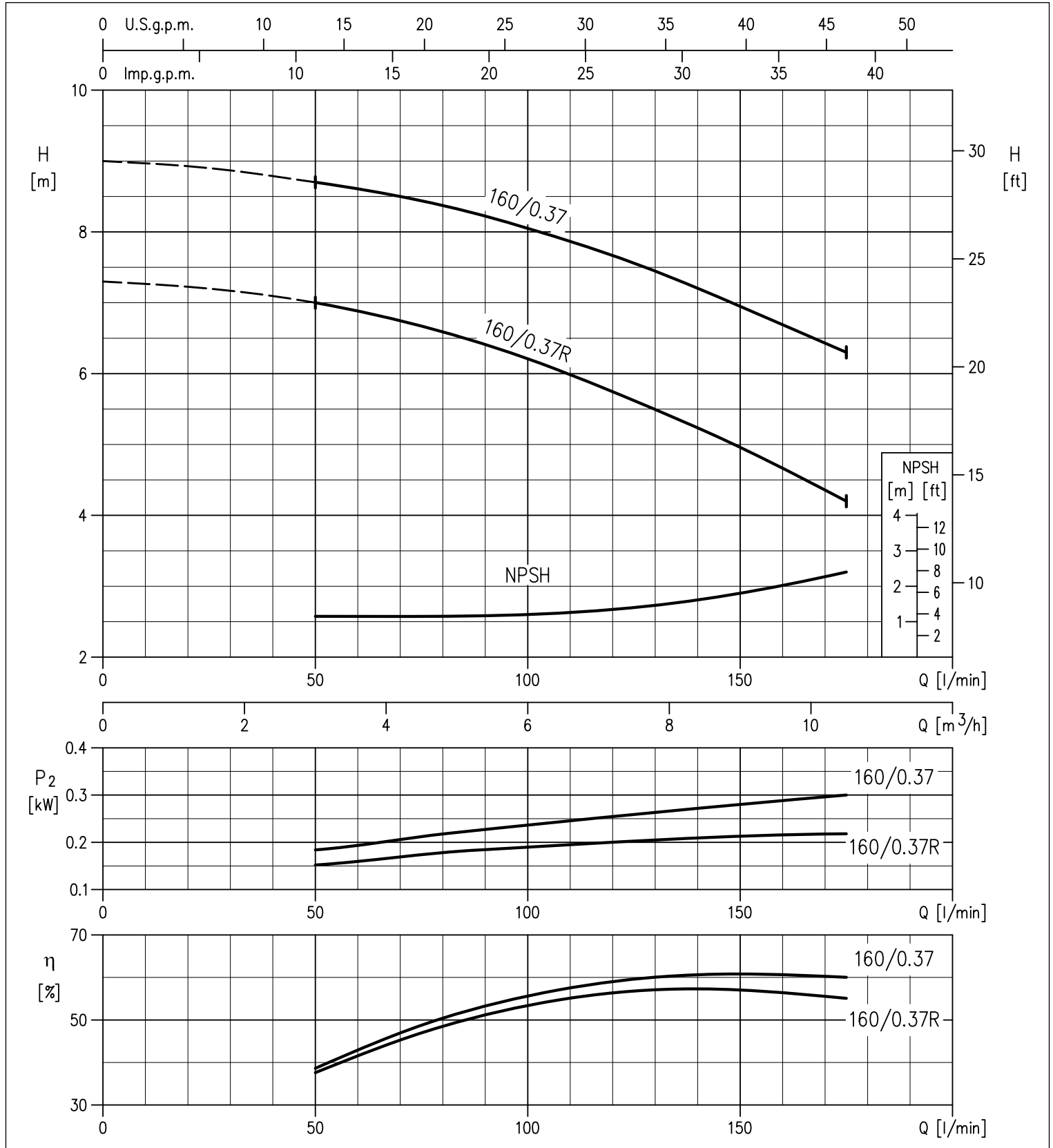


3D SERIES

NORMALISED AND MONOBLOCK CENTRIFUGAL ELECTROPUMPS
CONFORMING TO EN 733 (EX DIN 24255)

PERFORMANCE CURVES 3D(.)4 32-160 series at 1400 min⁻¹ (according to ISO 9906 Attachment A)

4 Poles



The contents of this publication must not be regarded as binding. EBARA Pumps Europe S.p.A. reserves the right to effect any modification it deems necessary, without prior notice.

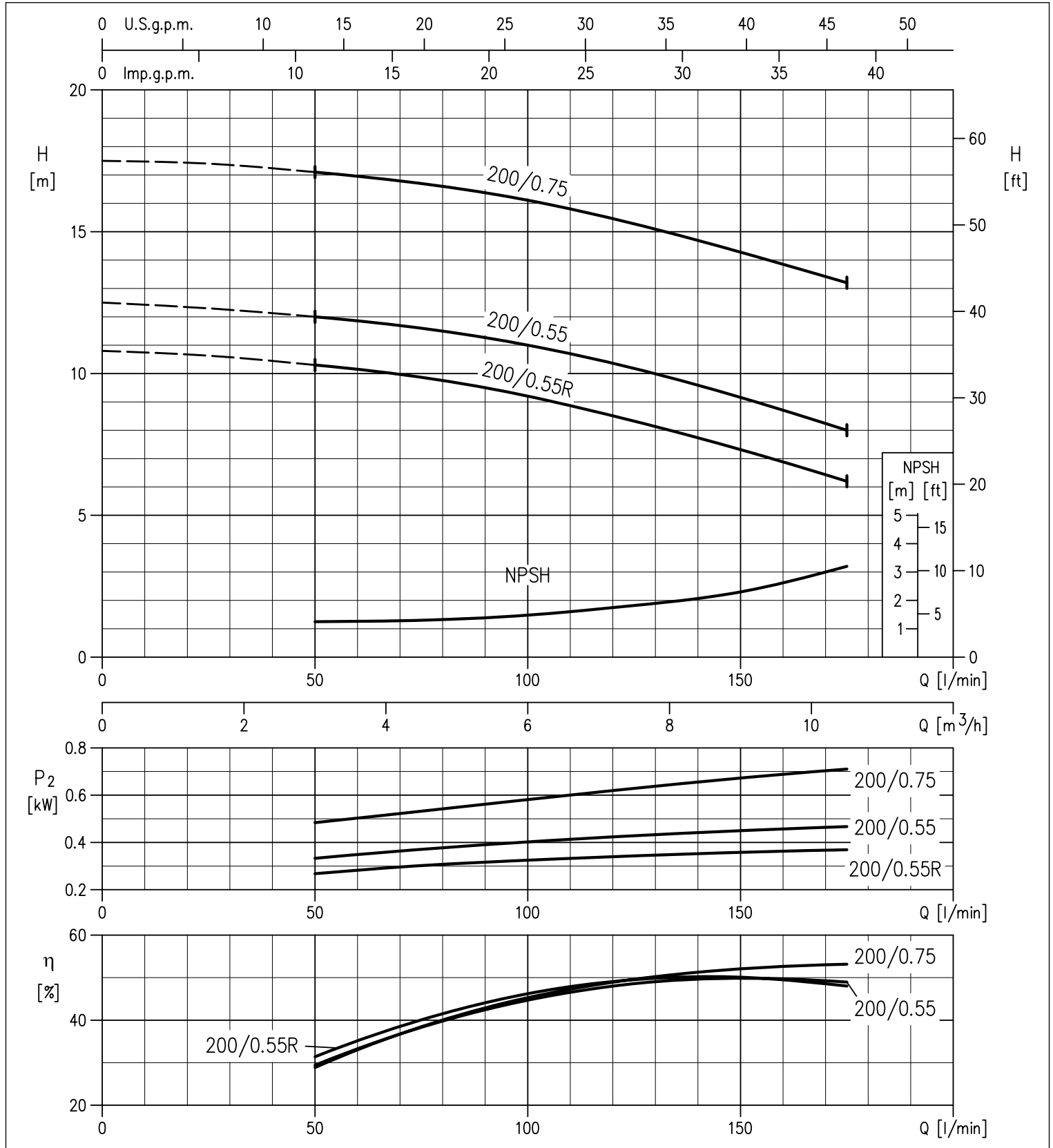


3D SERIES

NORMALISED AND MONOBLOCK CENTRIFUGAL ELECTROPUMPS
CONFORMING TO EN 733 (EX DIN 24255)

PERFORMANCE CURVES 3D(.)4 32-200 series at 1400 min⁻¹ (according to ISO 9906 Attachment A)

4 Poles



The contents of this publication must not be regarded as binding. EBARA Pumps Europe S.p.A. reserves the right to effect any modification it deems necessary, without prior notice.

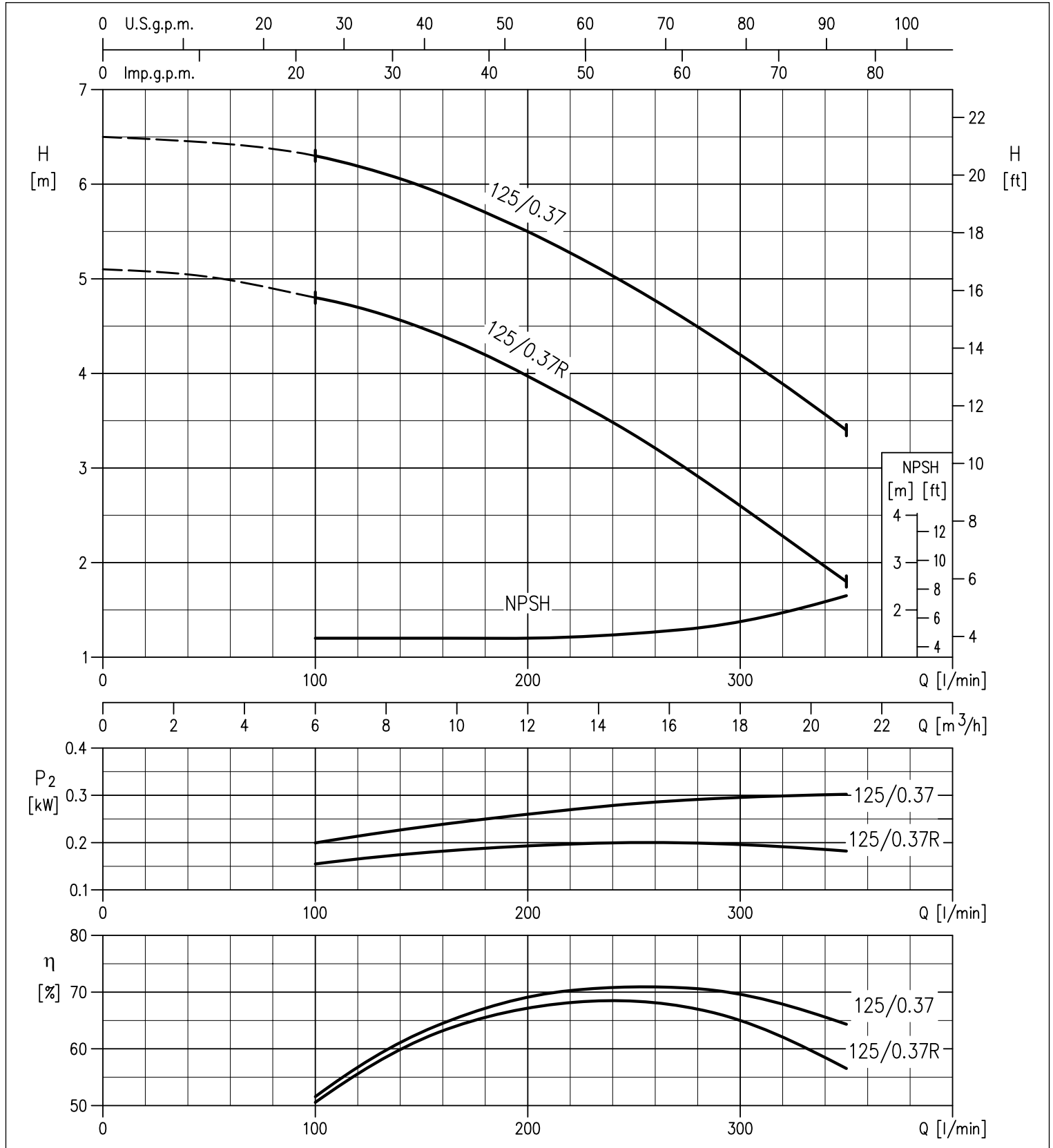


3D SERIES

NORMALISED AND MONOBLOCK CENTRIFUGAL ELECTROPUMPS
CONFORMING TO EN 733 (EX DIN 24255)

PERFORMANCE CURVES 3D(.)4 40-125 series at 1400 min⁻¹ (according to ISO 9906 Attachment A)

4 Poles



The contents of this publication must not be regarded as binding. EBARA Pumps Europe S.p.A. reserves the right to effect any modification it deems necessary, without prior notice.

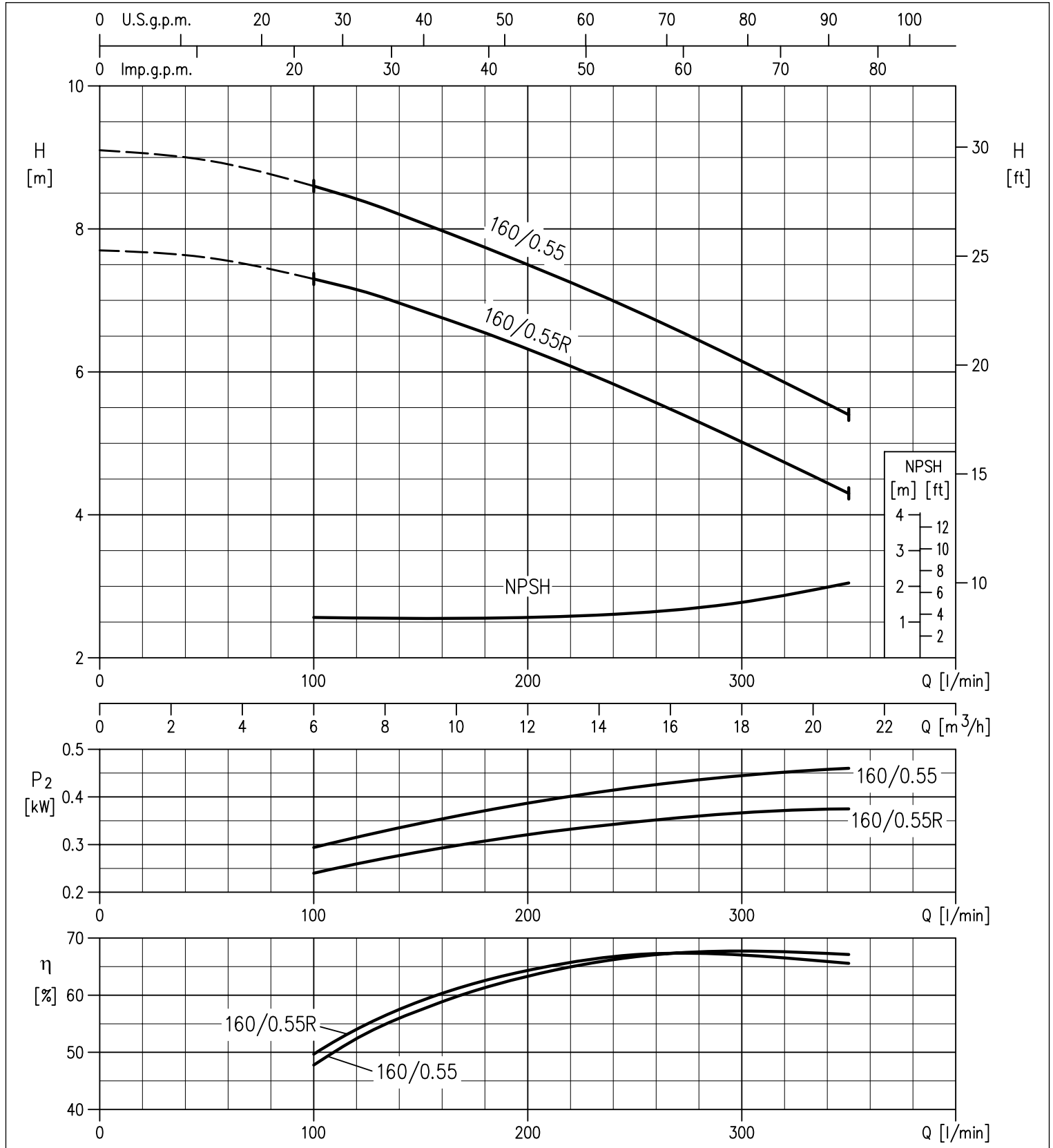


3D SERIES

NORMALISED AND MONOBLOCK CENTRIFUGAL ELECTROPUMPS
CONFORMING TO EN 733 (EX DIN 24255)

PERFORMANCE CURVES 3D(.)4 40-160 series at 1400 min⁻¹ (according to ISO 9906 Attachment A)

4 Poles



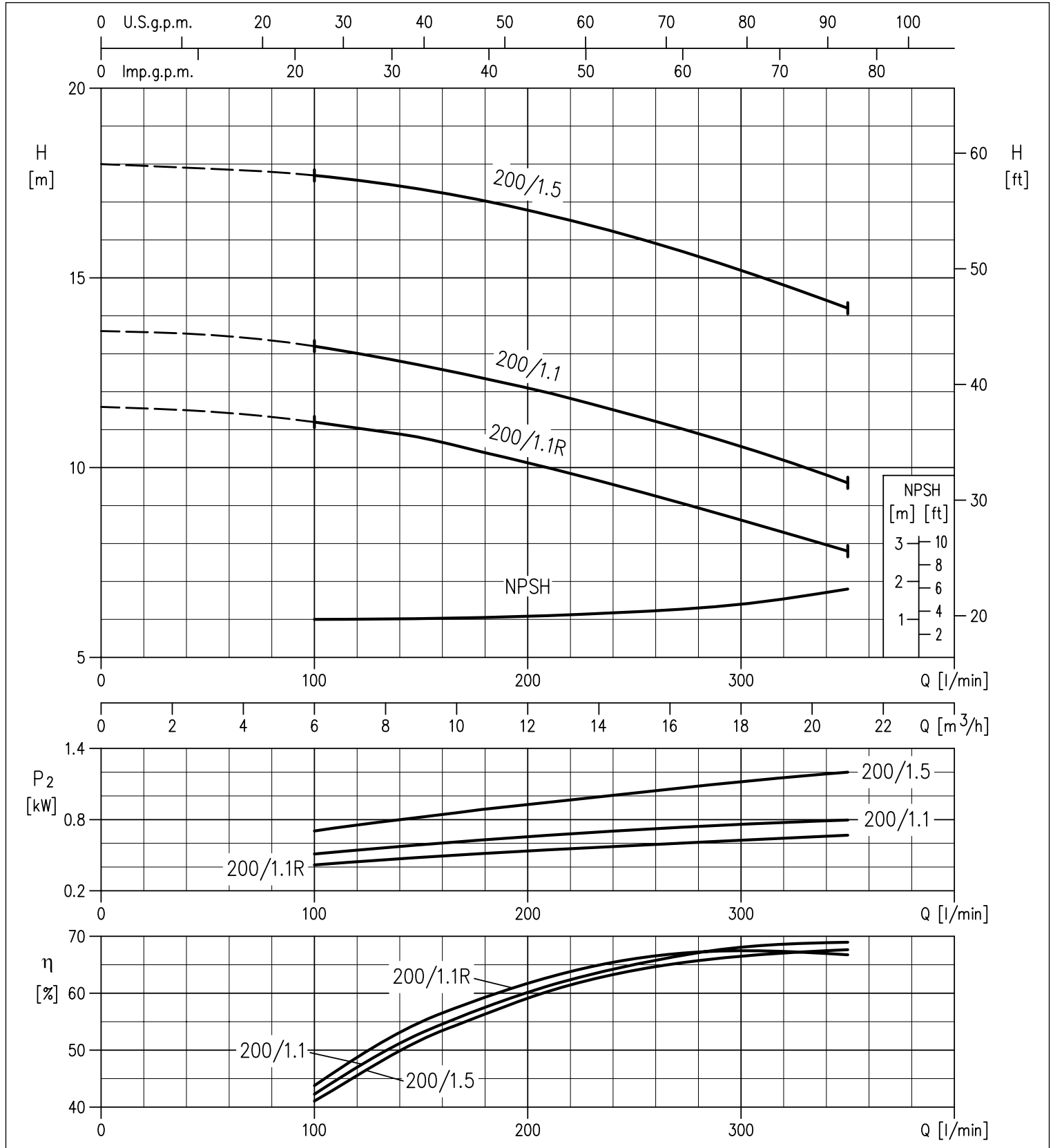
The contents of this publication must not be regarded as binding. EBARA Pumps Europe S.p.A. reserves the right to effect any modification it deems necessary, without prior notice.

3D SERIES

NORMALISED AND MONOBLOCK CENTRIFUGAL ELECTROPUMPS CONFORMING TO EN 733 (EX DIN 24255)

PERFORMANCE CURVES 3D(.)4 40-200 series at 1400 min⁻¹ (according to ISO 9906 Attachment A)

4 Poles



The contents of this publication must not be regarded as binding. EBARA Pumps Europe S.p.A. reserves the right to effect any modification it deems necessary, without prior notice.

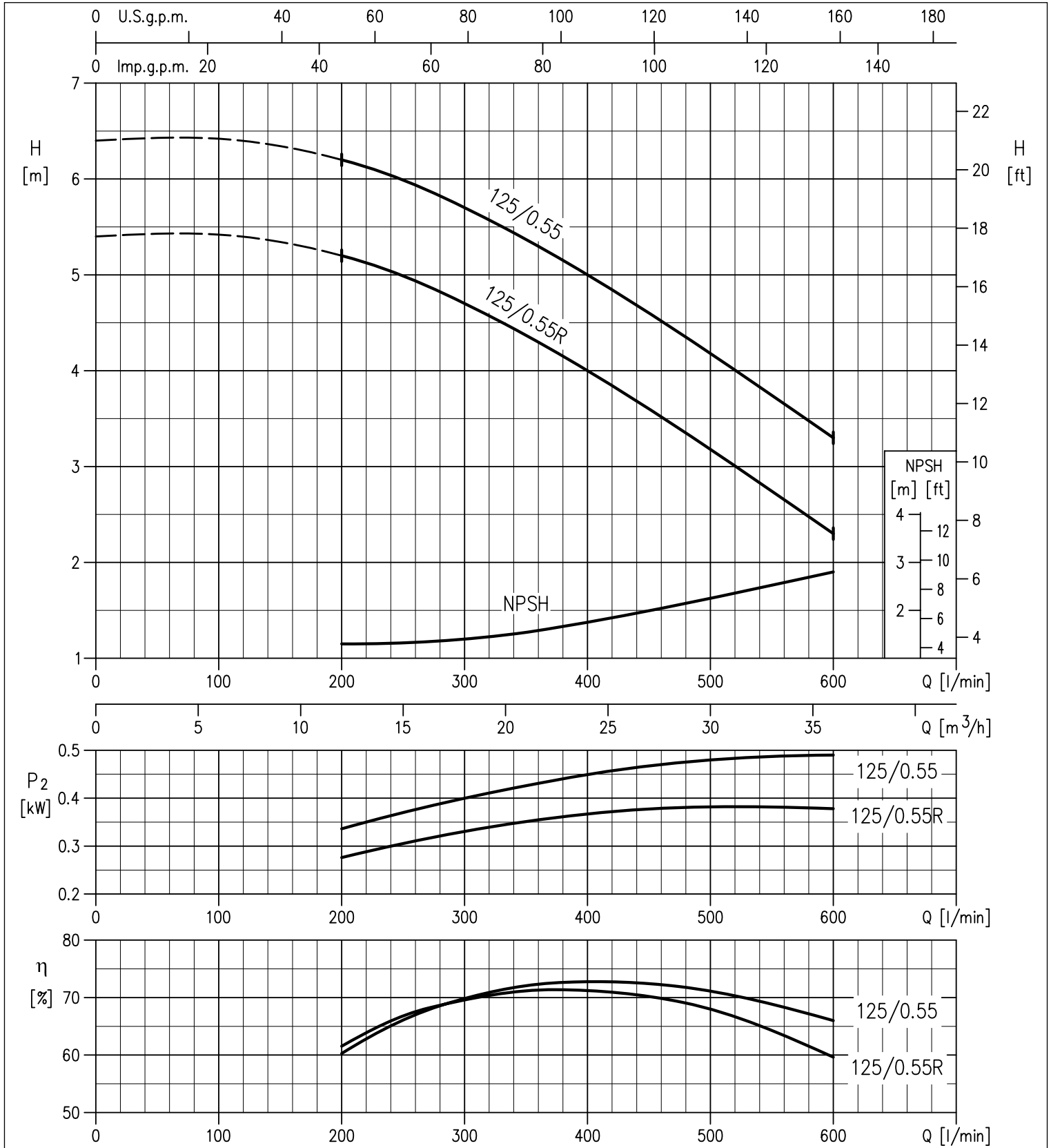


3D SERIES

NORMALISED AND MONOBLOCK CENTRIFUGAL ELECTROPUMPS
CONFORMING TO EN 733 (EX DIN 24255)

PERFORMANCE CURVES 3D(.)4 50-125 series at 1400 min⁻¹ (according to ISO 9906 Attachment A)

4 Poles



The contents of this publication must not be regarded as binding. EBARA Pumps Europe S.p.A. reserves the right to effect any modification it deems necessary, without prior notice.

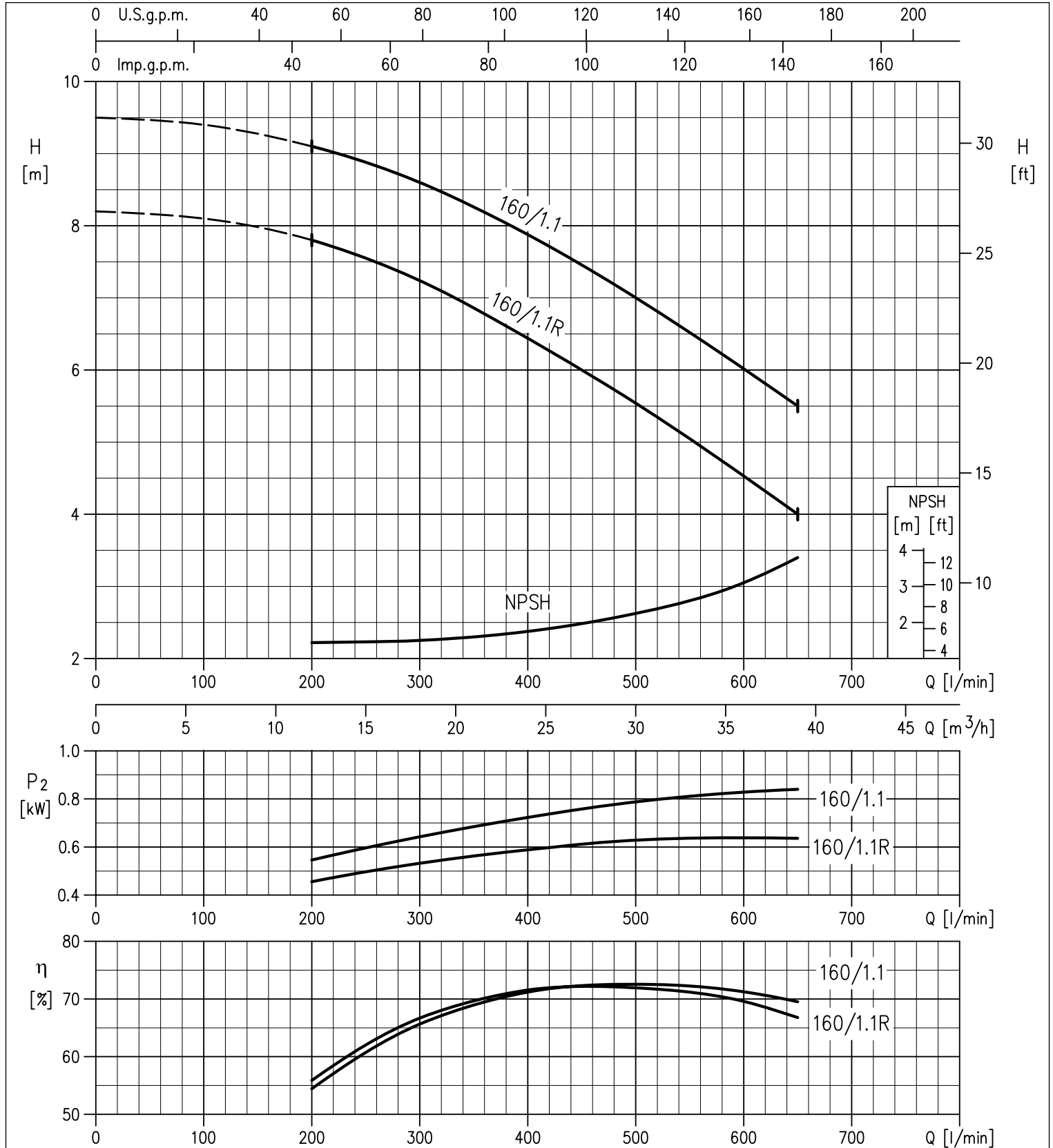


3D SERIES

NORMALISED AND MONOBLOCK CENTRIFUGAL ELECTROPUMPS
CONFORMING TO EN 733 (EX DIN 24255)

PERFORMANCE CURVES 3D(.)4 50-160 series at 1400 min⁻¹ (according to ISO 9906 Attachment A)

4 Poles



The contents of this publication must not be regarded as binding. EBARA Pumps Europe S.p.A. reserves the right to effect any modification it deems necessary, without prior notice.

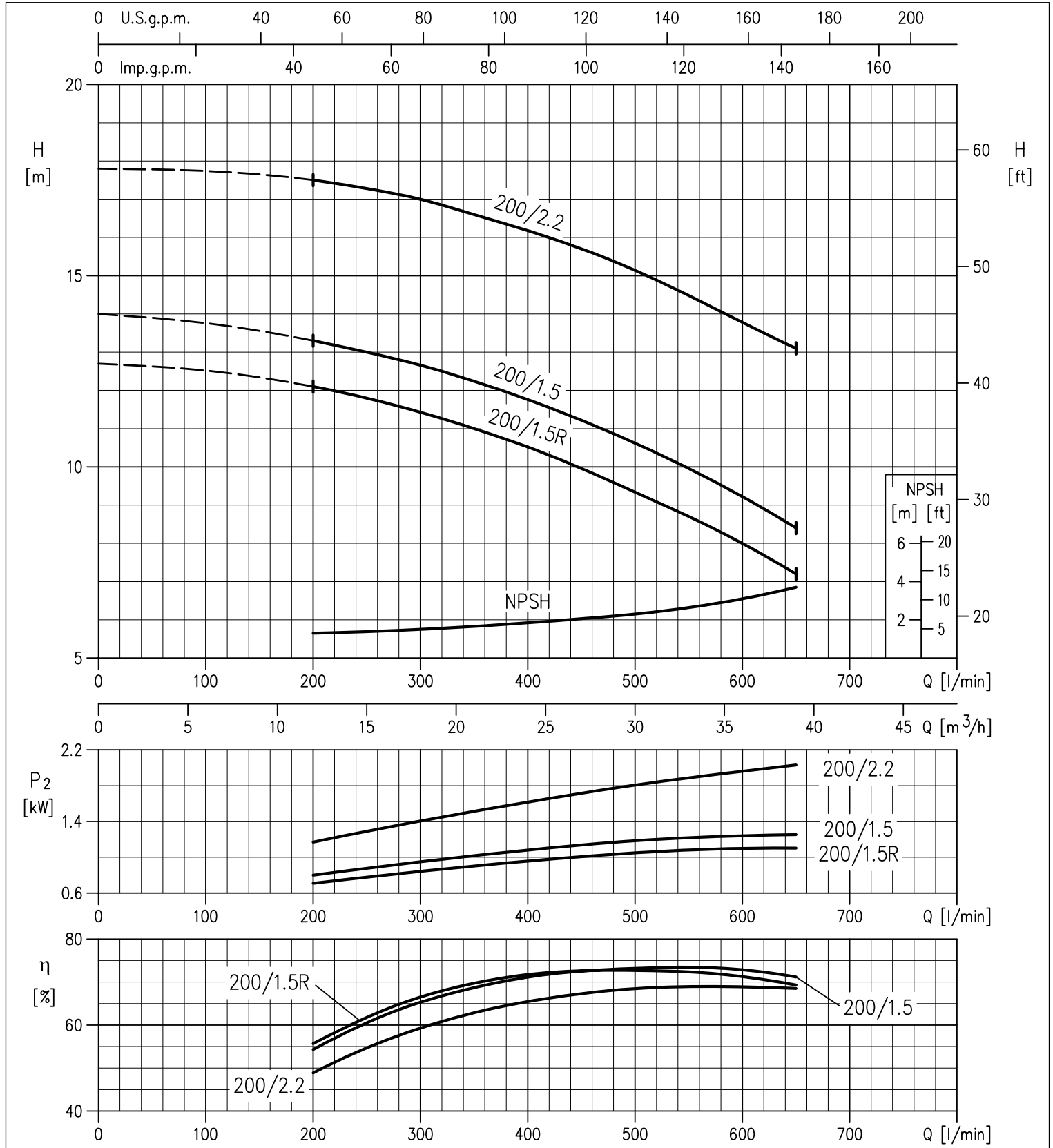


3D SERIES

**NORMALISED AND MONOBLOCK CENTRIFUGAL ELECTROPUMPS
CONFORMING TO EN 733 (EX DIN 24255)**

PERFORMANCE CURVES 3D(.)4 50-200 series at 1400 min⁻¹ (according to ISO 9906 Attachment A)

4 Poles



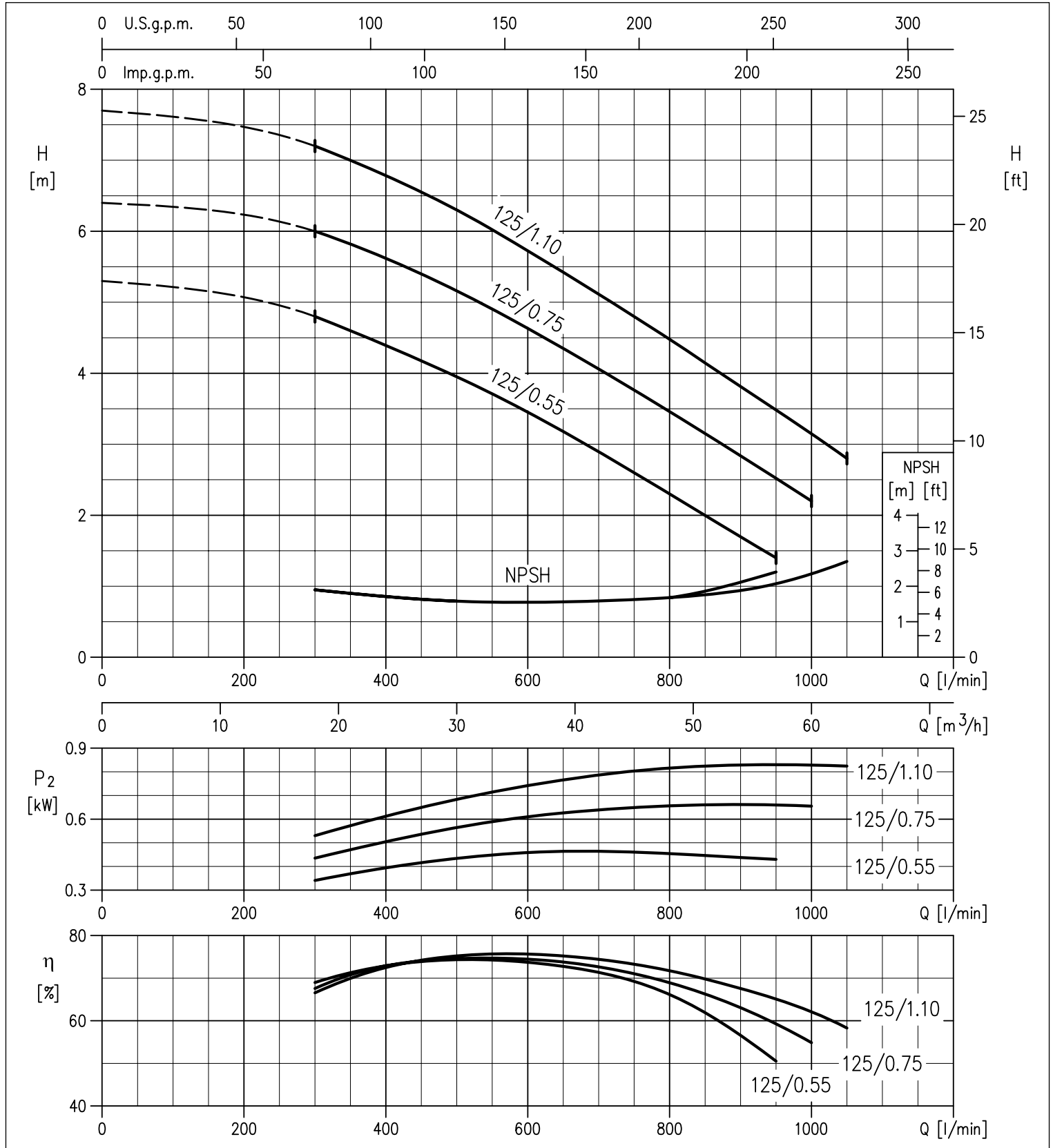


3D SERIES

**NORMALISED AND MONOBLOCK CENTRIFUGAL ELECTROPUMPS
CONFORMING TO EN 733 (EX DIN 24255)**

PERFORMANCE CURVES 3D(.)4 65-125 series at 1400 min⁻¹ (according to ISO 9906 Attachment A)

4 Poles



The contents of this publication must not be regarded as binding. EBARA Pumps Europe S.p.A. reserves the right to effect any modification it deems necessary, without prior notice.

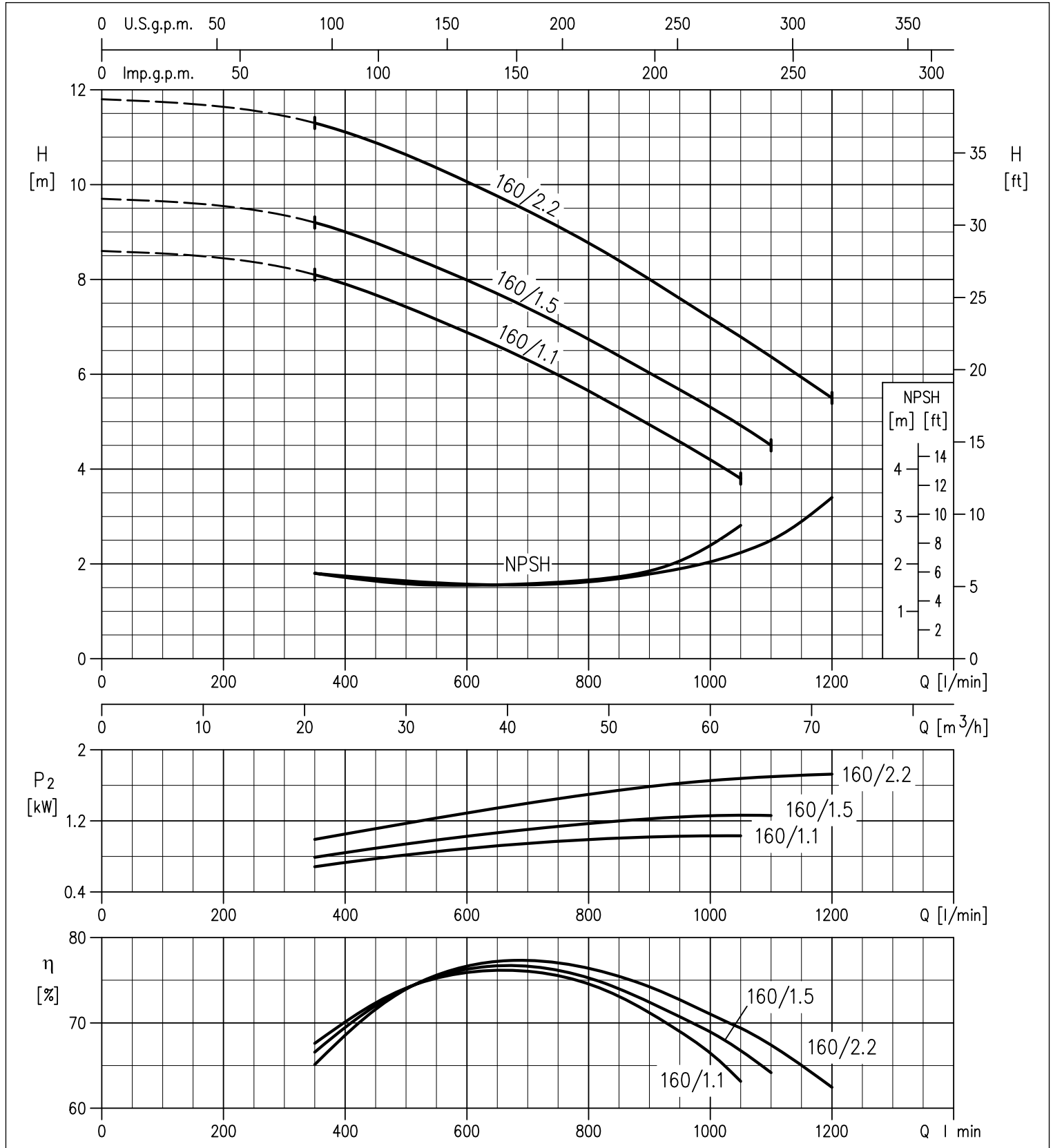


3D SERIES

NORMALISED AND MONOBLOCK CENTRIFUGAL ELECTROPUMPS
CONFORMING TO EN 733 (EX DIN 24255)

PERFORMANCE CURVES 3D(.)4 65-160 series at 1400 min⁻¹ (according to ISO 9906 Attachment A)

4 Poles



The contents of this publication must not be regarded as binding. EBARA Pumps Europe S.p.A. reserves the right to effect any modification it deems necessary, without prior notice.

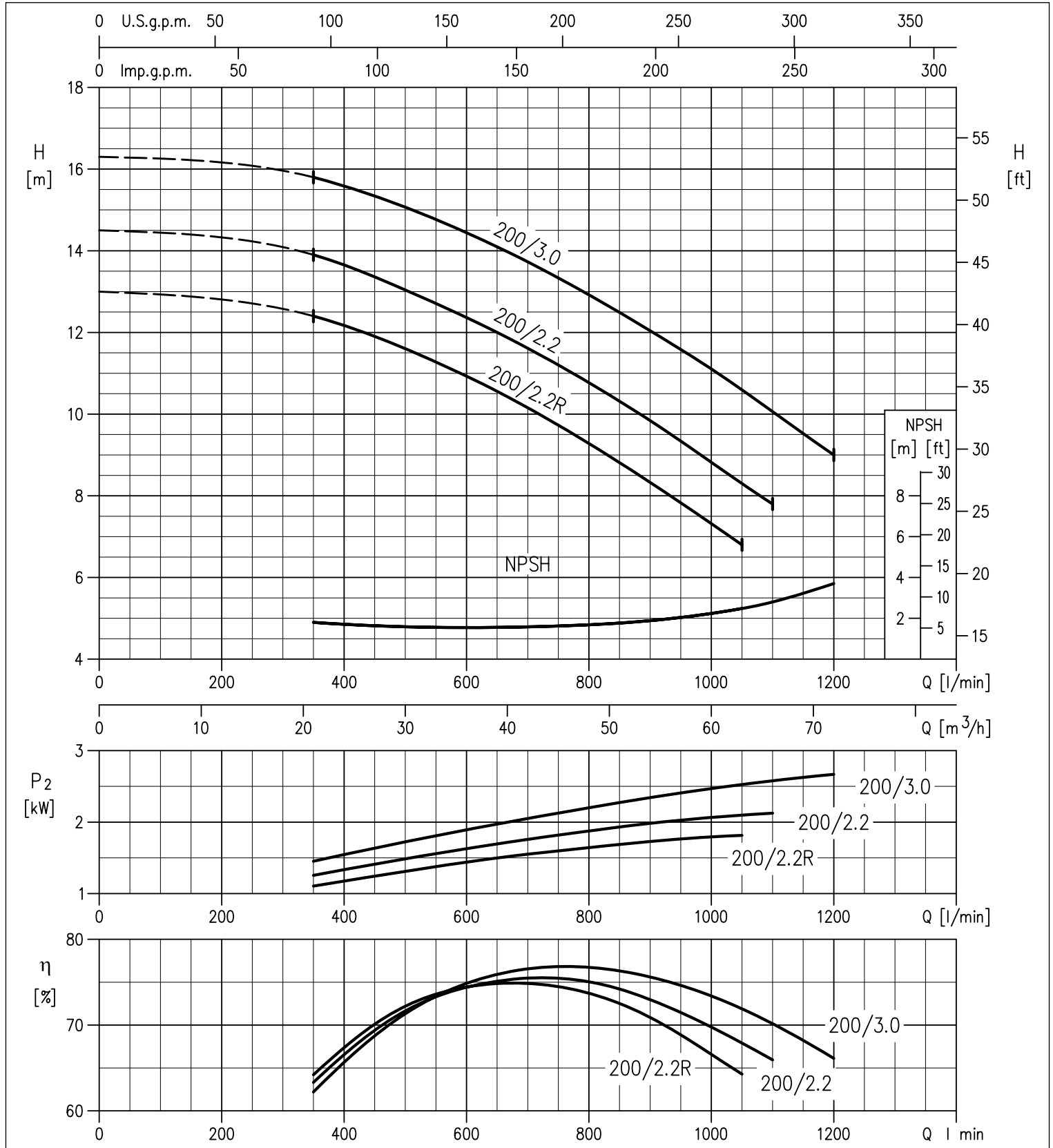


3D SERIES

**NORMALISED AND MONOBLOCK CENTRIFUGAL ELECTROPUMPS
CONFORMING TO EN 733 (EX DIN 24255)**

PERFORMANCE CURVES 3D(.)4 65-200 series at 1400 min⁻¹ (according to ISO 9906 Attachment A)

4 Poles



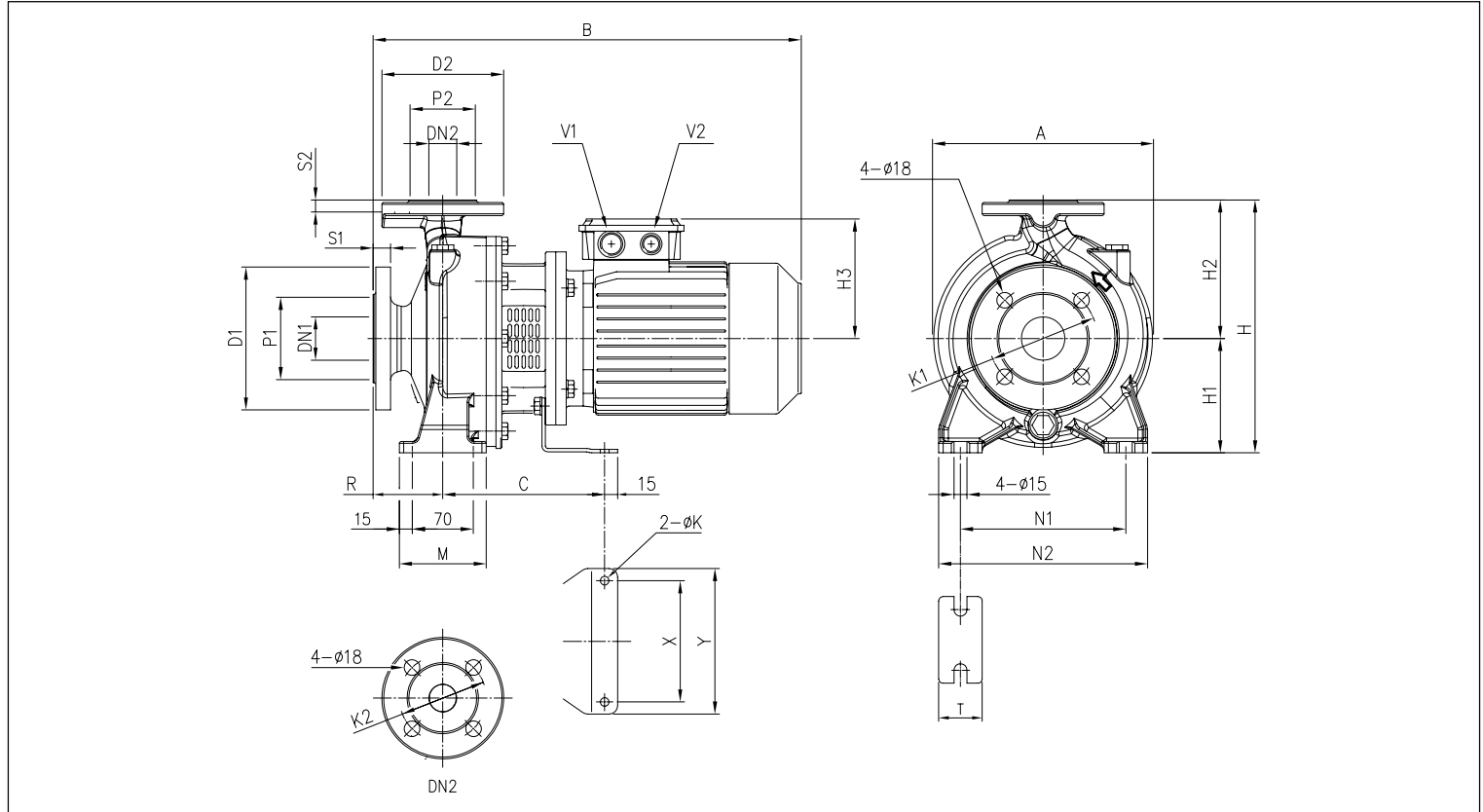
The contents of this publication must not be regarded as binding. EBARA Pumps Europe S.p.A. reserves the right to effect any modification it deems necessary, without prior notice.

3D SERIES

NORMALISED AND MONOBLOCK CENTRIFUGAL ELECTROPUMPS CONFORMING TO EN 733 (EX DIN 24255)

DIMENSIONS 3DS4 32, 40, 50, 65 SERIES

4 Poles



DIMENSIONAL TABLE

Model	Dimensions [mm]																										Weight [kg]			
	DN1 Ø	P1 Ø	K1 Ø	D1 Ø	S1	DN2 Ø	P2 Ø	K2 Ø	D2 Ø	S2	H	H1	H2	H3	R	W	M	N1	N2	T	A	B	C	X	Y	K		V2	V2	[*]
3DS4 32-125/0.25	50	102	125	165	20	32	78	100	140	18	252	112	140	114	80	70	100	140	190	50	213	404	153	112	140	8	M20x1.5	M16x1.5	24.3	-
3DS4 32-160/0.37R	50	102	125	165	20	32	78	100	140	18	292	132	160	114	80	70	100	190	240	50	254	404	153	112	140	8	M20x1.5	M16x1.5	29.9	-
3DS4 32-160/0.37	50	102	125	165	20	32	78	100	140	18	292	132	160	114	80	70	100	190	240	50	254	404	153	112	140	8	M20x1.5	M16x1.5	30.1	-
3DS4 32-200/0.55R	50	102	125	165	20	32	78	100	140	18	340	160	180	139	80	70	100	190	240	50	296	430	174	140	168	10	M25x1.5	M20x1.5	39.4	-
3DS4 32-200/0.55	50	102	125	165	20	32	78	100	140	18	340	160	180	139	80	70	100	190	240	50	296	430	174	140	168	10	M25x1.5	M20x1.5	44.4	-
3DS4 32-200/0.75	50	102	125	165	20	32	78	100	140	18	340	160	180	139	80	70	100	190	240	50	296	430	174	140	168	10	M25x1.5	M20x1.5	40.9	40.9
3DS4 40-125/0.37R	65	122	145	185	20	40	88	110	150	18	252	112	140	114	80	70	100	160	210	50	220	404	153	112	140	8	M20x1.5	M16x1.5	25.3	-
3DS4 40-125/0.37	65	122	145	185	20	40	88	110	150	18	252	112	140	114	80	70	100	160	210	50	220	404	153	112	140	8	M20x1.5	M16x1.5	25.3	-
3DS4 40-160/0.55R	65	122	145	185	20	40	88	110	150	18	292	132	160	139	80	70	100	190	240	50	254	430	174	140	168	10	M25x1.5	M20x1.5	35.6	-
3DS4 40-160/0.55	65	122	145	185	20	40	88	110	150	18	292	132	160	139	80	70	100	190	240	50	254	430	174	140	168	10	M25x1.5	M20x1.5	35.6	-
3DS4 40-200/1.1R	65	122	145	185	20	40	88	110	150	18	340	160	180	148	100	70	100	212	265	50	296	497	186	140	168	10	M25x1.5	M20x1.5	47	49.2
3DS4 40-200/1.1	65	122	145	185	20	40	88	110	150	18	340	160	180	148	100	70	100	212	265	50	296	497	186	140	168	10	M25x1.5	M20x1.5	47	49.2
3DS4 40-200/1.5	65	122	145	185	20	40	88	110	150	18	340	160	180	148	100	70	100	212	265	50	296	497	186	140	168	10	M25x1.5	M20x1.5	48.2	50.8
3DS4 50-125/0.55R	65	122	145	185	20	50	102	125	165	20	292	132	160	139	100	70	100	190	240	50	254	450	174	140	168	10	M25x1.5	M20x1.5	36	-
3DS4 50-125/0.55	65	122	145	185	20	50	102	125	165	20	292	132	160	139	100	70	100	190	240	50	254	450	174	140	168	10	M25x1.5	M20x1.5	36	-
3DS4 50-160/1.1R	65	122	145	185	20	50	102	125	165	20	340	160	180	148	100	70	100	212	265	50	296	497	186	140	168	10	M25x1.5	M20x1.5	47.6	49.8
3DS4 50-160/1.1	65	122	145	185	20	50	102	125	165	20	340	160	180	148	100	70	100	212	265	50	296	497	186	140	168	10	M25x1.5	M20x1.5	47.6	49.8
3DS4 50-200/1.5R	65	122	145	185	20	50	102	125	165	20	360	160	200	148	100	70	100	212	265	50	296	497	186	140	168	10	M25x1.5	M20x1.5	50	52.6
3DS4 50-200/1.5	65	122	145	185	20	50	102	125	165	20	360	160	200	148	100	70	100	212	265	50	296	497	186	140	168	10	M25x1.5	M20x1.5	50	52.6
3DS4 65-125/0.55	80	138	160	200	22	65	122	145	185	20	340	160	180	139	100	95	125	212	280	65	263	450	174	140	168	10	M25x1.5	M20x1.5	36.8	-
3DS4 65-125/0.75	80	138	160	200	22	65	122	145	185	20	340	160	180	139	100	95	125	212	280	65	263	450	174	140	168	10	M25x1.5	M20x1.5	45.3	45.3
3DS4 65-125/1.1	80	138	160	200	22	65	122	145	185	20	340	160	180	148	100	95	125	212	280	65	263	497	186	140	168	10	M25x1.5	M20x1.5	45.3	47.5
3DS4 65-160/1.1	80	138	160	200	22	65	122	145	185	20	360	160	200	148	100	95	125	212	280	65	296	497	186	140	168	10	M25x1.5	M20x1.5	47.1	49.3
3DS4 65-160/1.5	80	138	160	200	22	65	122	145	185	20	360	160	200	148	100	95	125	212	280	65	296	497	186	140	168	10	M25x1.5	M20x1.5	59.1	61.7

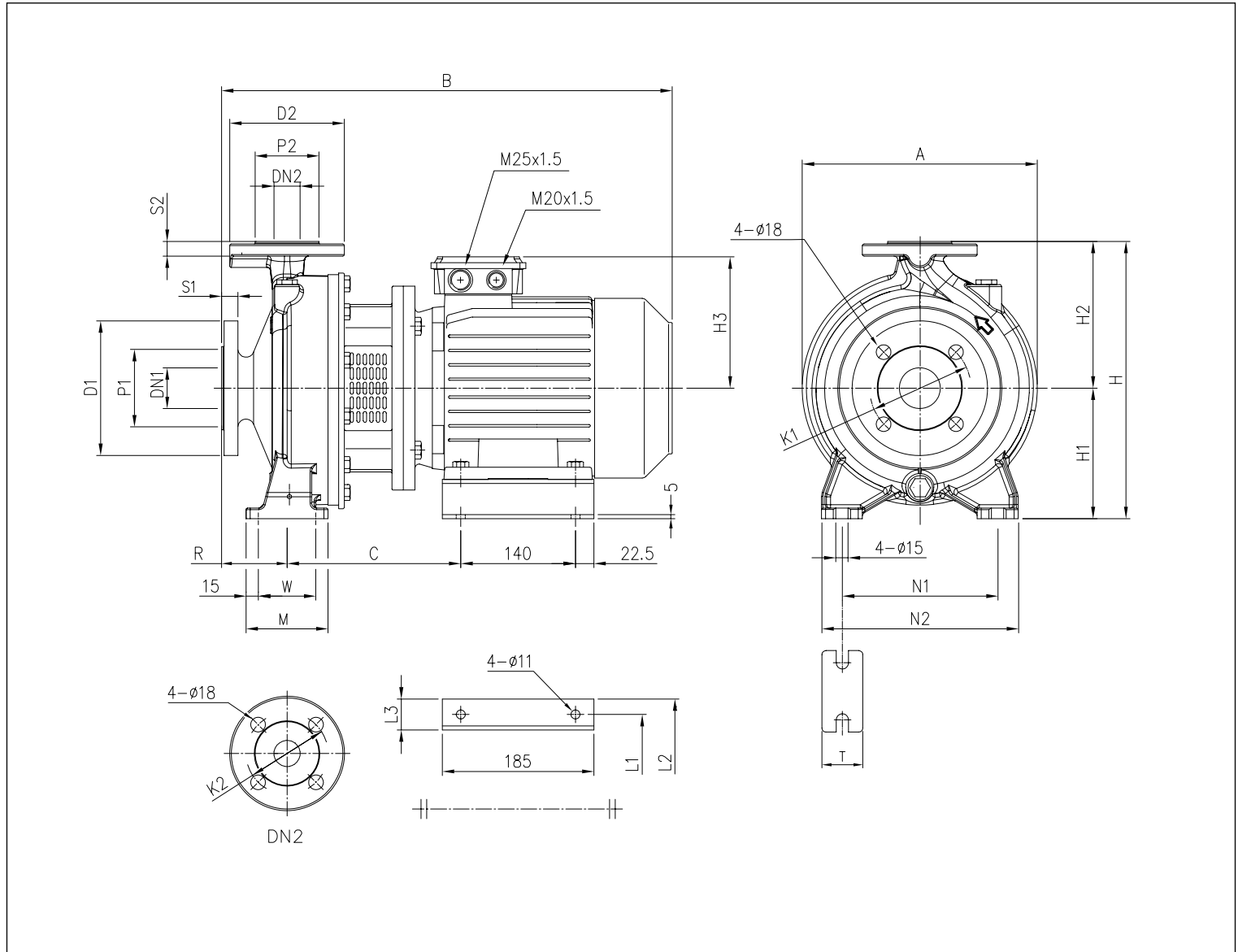
[*]= Only for IE3 motors

3D SERIES

NORMALISED AND MONOBLOCK CENTRIFUGAL ELECTROPUMPS
CONFORMING TO EN 733 (EX DIN 24255)

DIMENSIONS 3DS4 50, 60 SERIES

4 Poles

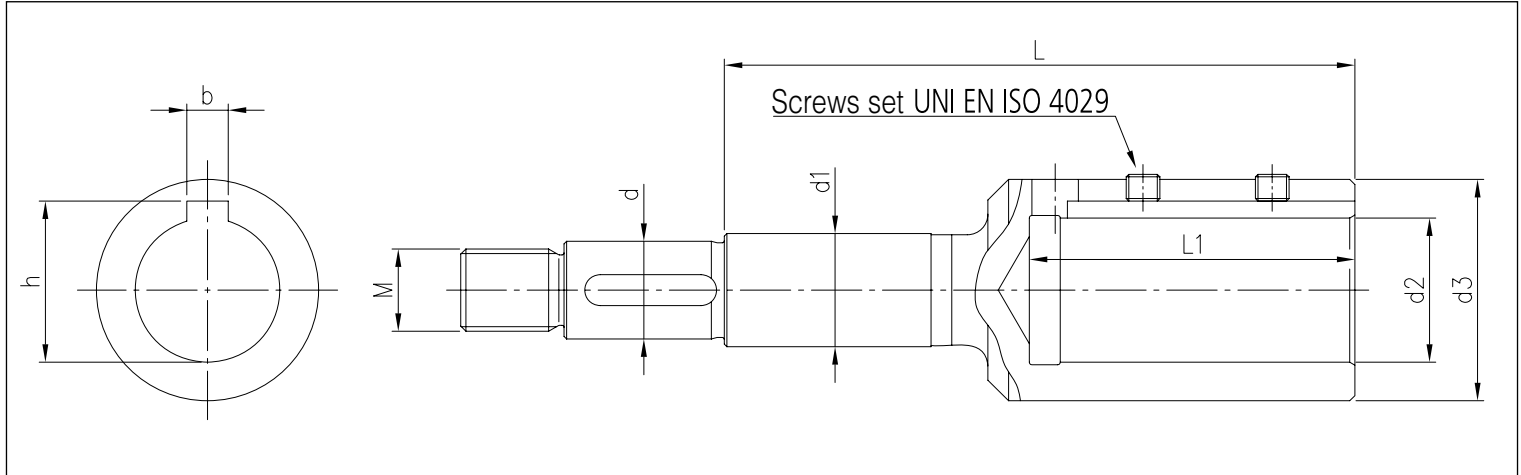


DIMENSIONAL TABLE

Model	Dimensions [mm]																				Weight [kg]	
	DN1 Ø	P1 Ø	K1 Ø	D1 Ø	S1	DN2 Ø	P2 Ø	K2 Ø	D2 Ø	S2	H	H1	H2	R	W	M	A	N1	N2	T	[*]	
3DS4 50-200/2.20	65	122	145	185	20	50	102	125	165	20	360	160	200	100	70	100	296	212	265	50	55.9	56.3
3DS4 65-160/2.20	80	138	160	200	22	65	122	145	185	20	360	160	200	100	95	125	296	212	280	65	62.1	62.5
3DS4 65-200/2.20R	80	138	160	200	22	65	122	145	185	20	405	180	225	100	95	125	312	250	320	65	59	59.4
3DS4 65-200/2.20	80	138	160	200	22	65	122	145	185	20	405	180	225	100	95	125	312	250	320	65	59.5	59.9
3DS4 65-200/3.00	80	138	160	200	22	65	122	145	185	20	405	180	225	100	95	125	312	250	320	65	65	65

Joint for 3DS4 SERIES

4 Poles



DIMENSIONAL TABLE

Model	[HP]	[kW]	Grand. motor	Dimensions [mm]									
				d	d1	d2	d3	M	L	L1	b	h	Set viti
3DS4 32-125/0.25	0,33	0,25	71	19	22	14	28	M16x1,5	88	33	5	16,3	M5x6
3DS4 32-160/0.37R	0,5	0,37	71	19	22	14	28	M16x1,5	88	33	5	16,3	M5x6
3DS4 32-160/0.37	0,5	0,37	71	19	22	14	28	M16x1,5	88	33	5	16,3	M5x6
3DS4 32-200/0.55R	0,75	0,55	80	19	22	19	33	M16x1,5	98	43	6	21,8	M6x6
3DS4 32-200/0.55	0,75	0,55	80	19	22	19	33	M16x1,5	98	43	6	21,8	M6x6
3DS4 32-200/0.75	1	0,75	80	19	22	19	33	M16x1,5	98	43	6	21,8	M6x6
3DS4 40-125/0.37R	0,5	0,37	71	19	22	14	28	M16x1,5	88	33	5	16,3	M5x6
3DS4 40-125/0.37	0,5	0,37	71	19	22	14	28	M16x1,5	88	33	5	16,3	M5x6
3DS4 40-160/0.55R	0,75	0,55	80	19	22	19	33	M16x1,5	98	43	6	21,8	M6x6
3DS4 40-160/0.55	0,75	0,55	80	19	22	19	33	M16x1,5	98	43	6	21,8	M6x6
3DS4 40-200/1.1R	1,5	1,1	90	19	22	24	39	M16x1,5	110	53	8	27,3	M8x8
3DS4 40-200/1.1	1,5	1,1	90	19	22	24	39	M16x1,5	110	53	8	27,3	M8x8
3DS4 40-200/1.5	2	1,5	90	19	22	24	39	M16x1,5	110	53	8	27,3	M8x8
3DS4 50-125/0.55R	0,75	0,55	80	19	22	19	33	M16x1,5	98	43	6	21,8	M6x6
3DS4 50-125/0.55	0,75	0,55	80	19	22	19	33	M16x1,5	98	43	6	21,8	M6x6
3DS4 50-160/1.1R	1,5	1,1	90	19	22	24	39	M16x1,5	110	53	8	27,3	M8x8
3DS4 50-160/1.1	1,5	1,1	90	19	22	24	39	M16x1,5	110	53	8	27,3	M8x8
3DS4 50-200/1.5R	2	1,5	90	19	22	24	39	M16x1,5	110	53	8	27,3	M8x8
3DS4 50-200/1.5	2	1,5	90	19	22	24	39	M16x1,5	110	53	8	27,3	M8x8
3DS4 50-200/2.2	3	2,2	100	22	22	28	43	M18x1,5	153	63	8	31,3	M8x8
3DS4 65-125/0.55	0,75	0,55	80	19	22	19	33	M16x1,5	98	43	6	21,8	M6x6
3DS4 65-125/0.75	1	0,75	80	19	22	19	33	M16x1,5	98	43	6	21,8	M6x6
3DS4 65-125/1.1	1,5	1,1	90	19	22	24	39	M16x1,5	110	53	8	27,3	M8x8
3DS4 65-160/1.1	1,5	1,1	90	19	22	24	39	M16x1,5	110	53	8	27,3	M8x8
3DS4 65-160/1.5	2	1,5	90	19	22	24	39	M16x1,5	110	53	8	27,3	M8x8
3DS4 65-160/2.2	3	2,2	100	19	22	28	43	M16x1,5	122	63	8	31,3	M8x8
3DS4 65-200/2.2R	3	2,2	100	19	22	28	43	M16x1,5	122	63	8	31,3	M8x8
3DS4 65-200/2.2	3	2,2	100	19	22	28	43	M16x1,5	122	63	8	31,3	M8x8
3DS4 65-200/3	4	3	100	19	22	28	43	M16x1,5	122	63	8	31,3	M8x8

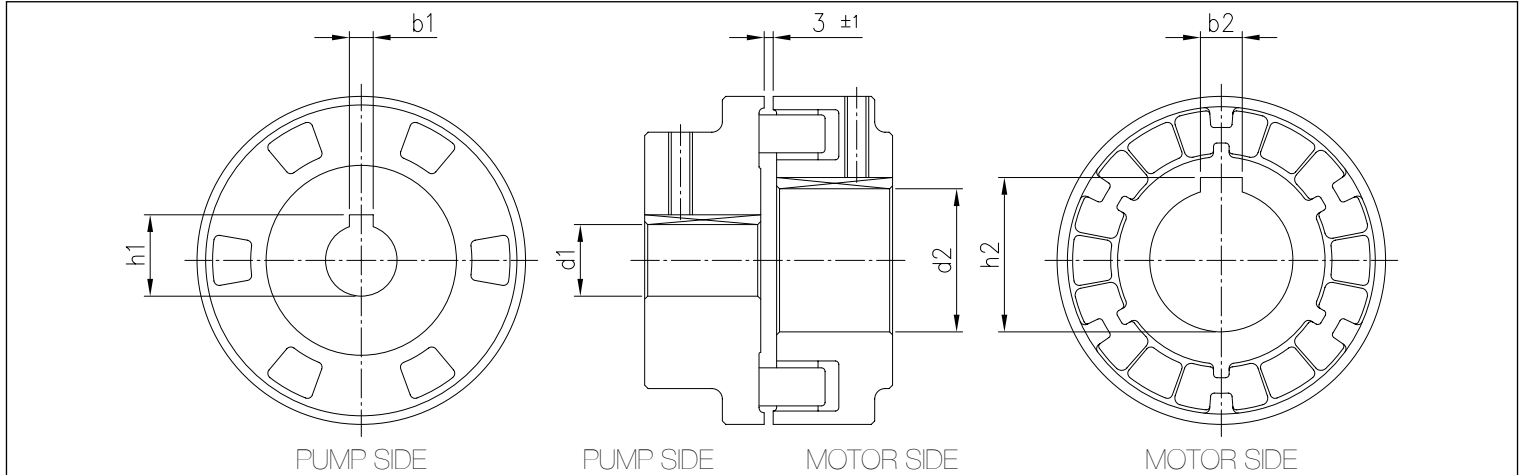
The contents of this publication must not be regarded as binding. EBARA Pumps Europe S.p.A. reserves the right to effect any modification it deems necessary, without prior notice.

3D SERIES

NORMALISED AND MONOBLOCK CENTRIFUGAL ELECTROPUMPS CONFORMING TO EN 733 (EX DIN 24255)

JOINT FOR 3DP4 SERIES

4 Poles



DIMENSIONAL TABLE

Model	[HP]	[kW]	Grand. motor	Dimensions [mm]					
				d1	b1	h1	d2	b2	h2
3DP4 32-125/0.25	0,33	0,25	71	24	8	27,3	14	5	16,3
3DP4 32-160/0.37R	0,50	0,37	71	24	8	27,3	14	5	16,3
3DP4 32-160/0.37	0,50	0,37	71	24	8	27,3	14	5	16,3
3DP4 32-200/0.55R	0,75	0,55	80	24	8	27,3	19	6	21,8
3DP4 32-200/0.55	0,75	0,55	80	24	8	27,3	19	6	21,8
3DP4 32-200/0.75	1,00	0,75	80	24	8	27,3	19	6	21,8
3DP4 40-125/0.37R	0,50	0,37	71	24	8	27,3	14	5	16,3
3DP4 40-125/0.37	0,50	0,37	71	24	8	27,3	14	5	16,3
3DP4 40-160/0.55R	0,75	0,55	80	24	8	27,3	19	6	21,8
3DP4 40-160/0.55	0,75	0,55	80	24	8	27,3	19	6	21,8
3DP4 40-200/1.10R	1,50	1,10	90	24	8	27,3	24	8	27,3
3DP4 40-200/1.10	1,50	1,10	90	24	8	27,3	24	8	27,3
3DP4 40-200/1.50	2,00	1,50	90	24	8	27,3	24	8	27,3
3DP4 50-125/0.55R	0,75	0,55	80	24	8	27,3	19	6	21,8
3DP4 50-125/0.55	0,75	0,55	80	24	8	27,3	19	6	21,8
3DP4 50-160/1.10R	1,50	1,10	90	24	8	27,3	24	8	27,3
3DP4 50-160/1.10	1,50	1,10	90	24	8	27,3	24	8	27,3
3DP4 50-200/1.50R	2,00	1,50	90	24	8	27,3	24	8	27,3
3DP4 50-200/1.50	2,00	1,50	90	24	8	27,3	24	8	27,3
3DP4 50-200/2.20	3,00	2,20	100	24	8	27,3	28	8	31,3
3DP4 65-125/0.55	0,75	0,55	80	24	8	27,3	19	6	21,8
3DP4 65-125/0.75	1,00	0,75	80	24	8	27,3	19	6	21,8
3DP4 65-125/1.10	1,50	1,10	90	24	8	27,3	24	8	27,3
3DP4 65-160/1.10	1,50	1,10	90	24	8	27,3	24	8	27,3
3DP4 65-160/1.50	2,00	1,50	90	24	8	27,3	24	8	27,3
3DP4 65-160/2.20	3,00	2,20	100	24	8	27,3	28	8	31,3
3DP4 65-200/2.20R	3,00	2,20	100	24	8	27,3	28	8	31,3
3DP4 65-200/2.20	3,00	2,20	100	24	8	27,3	28	8	31,3
3DP4 65-200/3.00	4,00	3,00	100	24	8	27,3	28	8	31,3

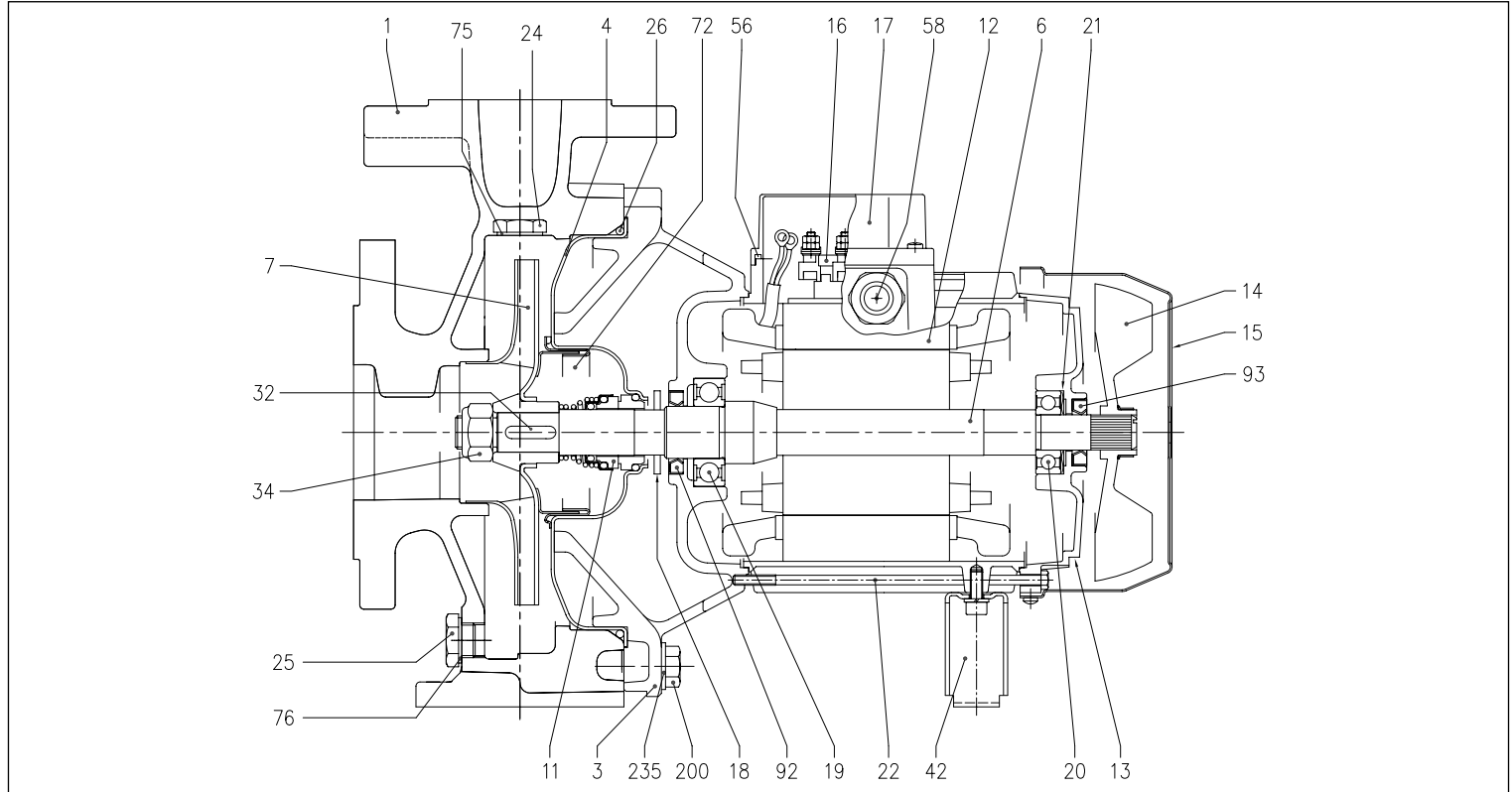
The contents of this publication must not be regarded as binding. EBARA Pumps Europe S.p.A. reserves the right to effect any modification it deems necessary, without prior notice.

3D SERIES

NORMALISED AND MONOBLOCK CENTRIFUGAL ELECTROPUMPS CONFORMING TO EN 733 (EX DIN 24255)

SECTIONAL VIEW 3D4 SERIES

4 Poles



MATERIALS TABLE

Rif.	Name	Material	Rif.	Name	Material
001	Pump body	Cast iron EN-GJL-250-EN 1561[1]	022	Tie rod	Fe 42 Galvanised
003	Motor support	[1]	024	Filler plug	Brass
004	Seal housing disc	EN 1.4301 (AISI 304)	025	Discharge plug	Brass
006	Shaft (part coming into contact with liquid)	EN 1.4301 (AISI 304)	026	O-ring	NBR [3]
007	Impeller	[2]	032	Key	EN 1.4401 (AISI 316)
011	Mechanical seal	Ceramic/Carbon/NBR	034	Impeller nut	EN 1.4301 (AISI 304)
012	Motor casing	-	042	Foot	Aluminium / Galvanised steel
013	Motor cover	Aluminium	056	Terminal block seal	NBR
014	Fan	PA	058	Cable gland	-
015	Fan cover	Fe P04 Galvanised	072	Wear ring [4]	EN 1.4301 (AISI 304)
016	Terminal block	-	075	Washer	Aluminium
017	Terminal block cover	Aluminium (for three-phase version only)	076	Washer	Aluminium
018	Splash guard washer	NBR	092	Sealing ring	-
019	Bearing (pump side)	-	093	Sealing ring	-
020	Bearing (motor side)	-	200	Screw	Galvanised steel 8.8 class ISO 898-1
021	Adjusting ring	Steel C70	235	Washer	Galvanised steel

[1]= Aluminium AL-EN-1706-AC-46000-D for SERIES 3D4 50-200/2.2, 65-125/0.75 and 1.1, 65-160/2.2, 65-200/2.2 and 3 kW; cast iron EN-GJL-200-EN 1561 for the remaining models of the range

[2]= EN 1.4301 (AISI 304) for SERIES 3D4 32, 40, 50; EN 1.4401 (AISI 316) for SERIES 3D4 65

[3]= FPM for versions H, HS, HW, HSW; EPDM for version E

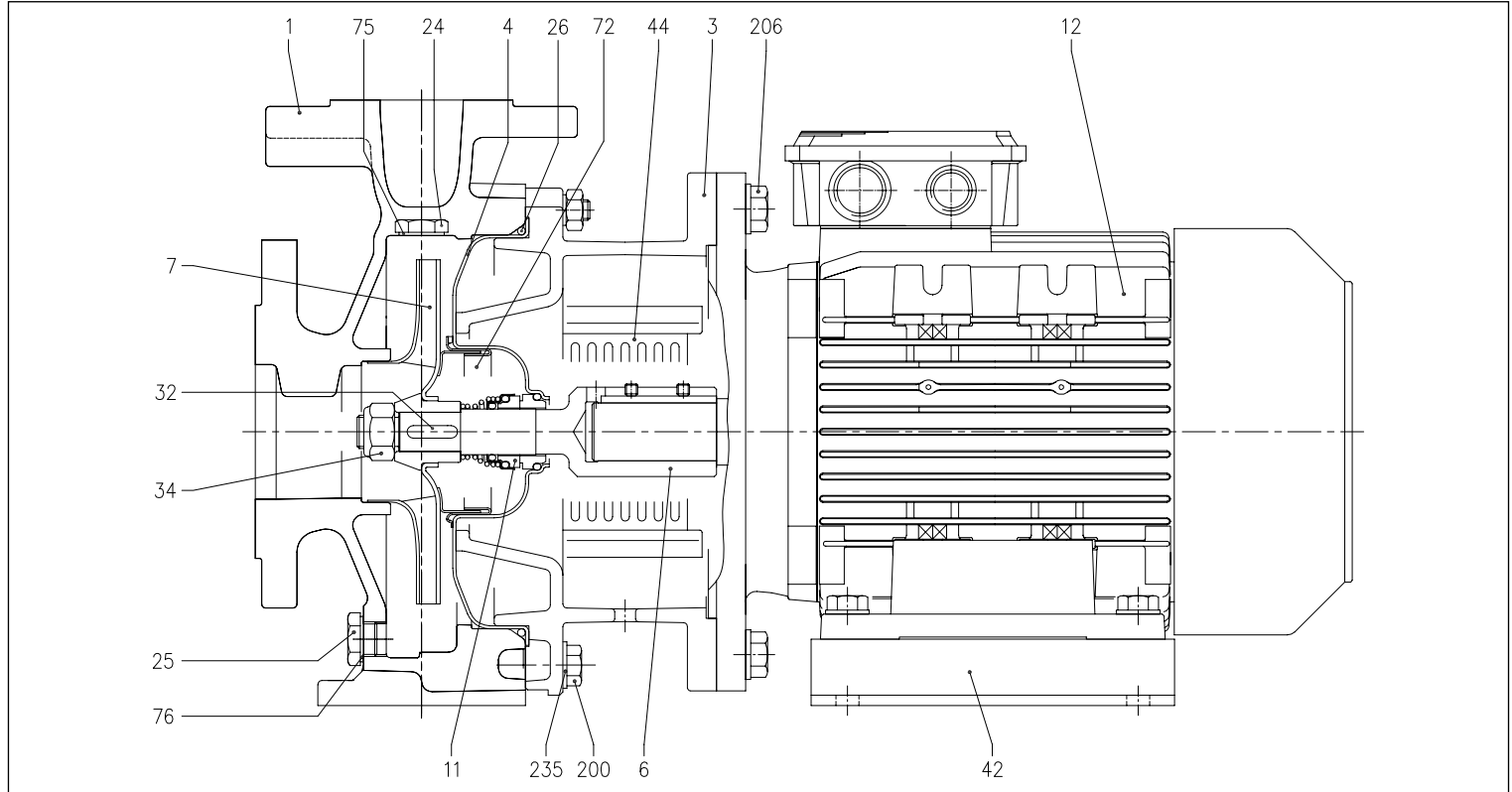
[4]= Only for SERIES 3D4 32-200, 40-200, 50-160, 50-200

3D SERIES

NORMALISED AND MONOBLOCK CENTRIFUGAL ELECTROPUMPS CONFORMING TO EN 733 (EX DIN 24255)

SECTIONAL VIEW 3DS4 SERIES

4 Poles



MATERIALS TABLE

Rif.	Name	Material
001	Pump body	Cast iron EN-GJL-250-EN 1561
003	Motor support	Cast iron EN-GJL-250-EN 1561
004	Seal housing disc	EN 1.4301 (AISI 304)
006	Joint (part coming into contact with liquid)	EN 1.4301 (AISI 304)
007	Impeller	[1]
011	Mechanical seal	Ceramic/Carbon/NBR
012	Motor	-
024	Filler plug	Brass
025	Discharge plug	Brass
026	O-ring	NBR [2]
032	Key	EN 1.4401 (AISI 316)
034	Impeller nut	EN 1.4301 (AISI 304)
042	Foot	Galvanised steel
044	Support protection	EN 1.4301 (AISI 304)
072	Wear ring [3]	EN 1.4301 (AISI 304)
075	Washer	Aluminium
076	Washer	Aluminium
200	Screw	Galvanised steel 8.8 class ISO 898-1
206	Screw (support)	Galvanised steel 8.8 class ISO 898-1
235	Washer	Galvanised steel

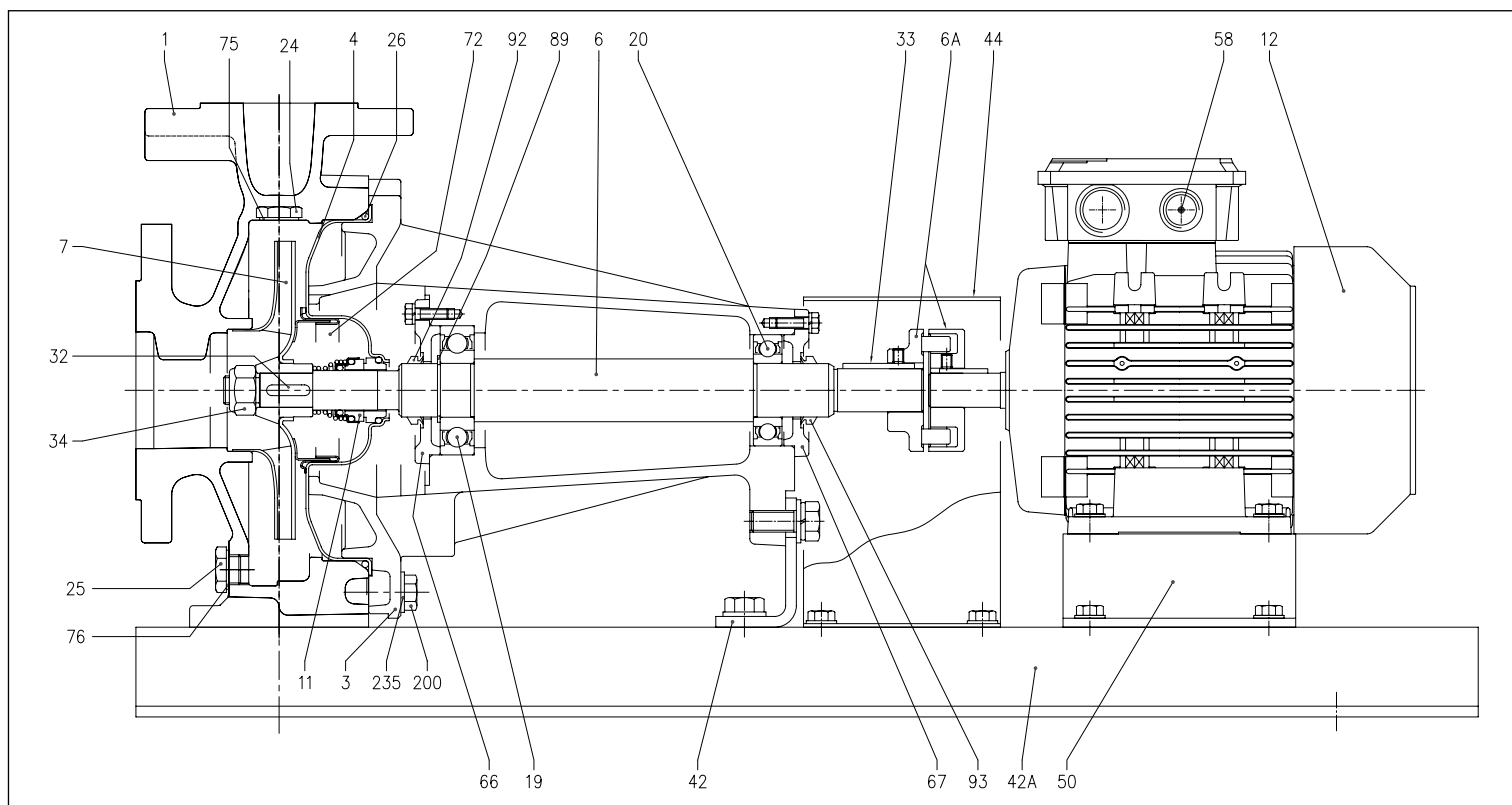
[1]= EN 1.4301 (AISI 304) for models SERIES 3DS4 32, 40, 50; EN 1.4401 (AISI 316) for SERIE 3DS4 65

[2]= FPM for versioni H, HS, HW, HSW; EPDM for version E

[3]= Only for SERIES 3DS4 32-200, 40-200, 50-160, 50-200

SECTIONAL VIEW 3DP4 SERIES

4 Poles



MATERIALS TABLE

Rif.	Name	Material	Rif.	Name	Material
001	Pump body	Cast iron EN-GJL-250-EN 1561	034	Impeller nut	EN 1.4301 (AISI 304)
003	Motor support	Cast iron EN-GJL-250-EN 1561	042	Pump support	Fe 37 Galvanised
004	Seal housing disc	EN 1.4301 (AISI 304)	042A	Base	Fe 37 Galvanised
006	Rotor shaft	EN 1.4301 (AISI 304)	050	Foot	Aluminium / Galvanised steel
006A	Flexible joint	Cast iron EN-GJL-250-EN 1561	058	Cable gland	-
007	Impeller	[1]	066	Support cover	Cast iron EN-GJL-250-EN 1561
011	Mechanical seal	Ceramic/Carbon/NBR	067	Support cover	Cast iron EN-GJL-250-EN 1561
012	Motor casing	-	072	Wear ring [3]	EN 1.4301 (AISI 304)
019	Bearing	-	075	Washer	Aluminium
020	Bearing	-	076	Washer	Aluminium
024	Filler plug	Brass	089	Seeger ring	Carbon steel TC 80
025	Discharge plug	Brass	092	Sealing ring	-
026	O-ring	NBR [2]	093	Sealing ring	-
032	Key	EN 1.4401 (AISI 316)	200	Screw	Galvanised steel 8.8 class ISO 898-1
033	Key	C40	235	Washer	Galvanised steel

[1]= EN 1.4301 (AISI 304) for models SERIES 3DP4 32, 40, 50; EN 1.4401 (AISI 316) for SERIE 3DP4 65

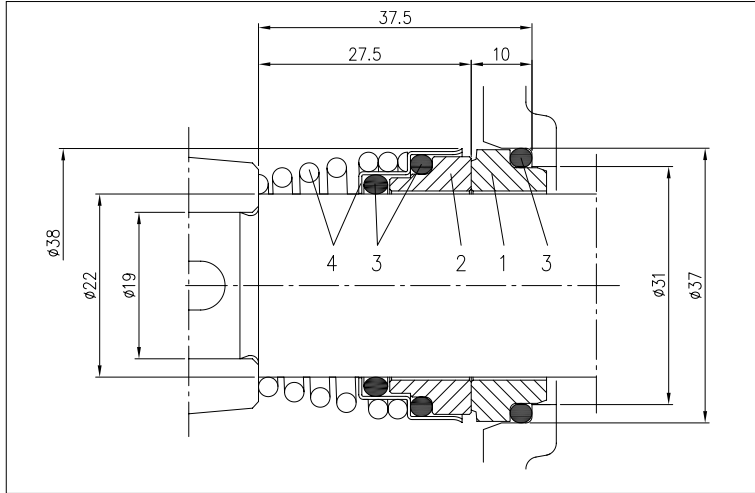
[2]= FPM for versions H, HS, HW, HSW; EPDM for version E

[3]= Only for SERIES 3DP4 32-200, 40-200, 50-160, 50-200

3D SERIES

NORMALISED AND MONOBLOCK CENTRIFUGAL ELECTROPUMPS CONFORMING TO EN 733 (EX DIN 24255)

MECHANICAL SEAL standard version



MATERIALS TABLE

Rif.	Name	Material
1	Fixed part	Carbon
2	Rotary part	Ceramic
3	Seal	NBR
4	Frame + spring	EN 1.4401 (AISI 316)

SPECIAL MECHANICAL SEALS (on request)

Rif.	Name	Material				
		Version H	Version HS	Version HW	Version HSW	Version E
1	Fixed part	Carbon	SiC	Tungsten carbide	Tungsten carbide	Carbon
2	Rotary part	Ceramic	SiC	Tungsten carbide	SiC	Ceramic
3	Seal	FPM	FPM	FPM	FPM	EPDM
4	Frame + spring	EN 1.4401 (AISI 316)	EN 1.4571 (AISI 316Ti)	EN 1.4401 (AISI 316)	EN 1.4401 (AISI 316)	EN 1.4401 (AISI 316)

3D SERIES

NORMALISED AND MONOBLOCK CENTRIFUGAL ELECTROPUMPS CONFORMING TO EN 733 (EX DIN 24255)

ELECTRIC DATA TABLE 3D4 SERIES

4 Poles

Model Three-phase 230/400V	P ₁		Efficiency	Efficiency(%) Three-phase			P ₁ [kW]	Absorbed Current [A] Three-phase	
	[HP]	[kW]		50%	η % 75%	100%		230V	400V
3D4 32-125/0.25	0,33	0,25	-	-	-	-	0,55	1,9	1,1
3D4 32-160/0.37R	0,5	0,37	-	-	-	-	0,80	2,6	1,5
3D4 32-160/0.37	0,5	0,37	-	-	-	-	0,80	2,6	1,5
3D4 32-200/0.55R	0,75	0,55	-	-	-	-	0,80	2,6	1,5
3D4 32-200/0.55	0,75	0,55	-	-	-	-	0,80	2,6	1,5
3D4 32-200/0.75	1	0,75	IE2	78,4	81,6	81,9	1,41	4,6	2,7
3D4 40-125/0.37R	0,5	0,37	-	-	-	-	0,55	1,9	1,1
3D4 40-125/0.37	0,5	0,37	-	-	-	-	0,55	1,9	1,1
3D4 40-160/0.55R	0,75	0,55	-	-	-	-	0,80	2,6	1,5
3D4 40-160/0.55	0,75	0,55	-	-	-	-	0,80	2,6	1,5
3D4 40-200/1.1R	1,5	1,1	IE2	78,4	81,6	81,9	1,41	4,6	2,7
3D4 40-200/1.1	1,5	1,1	IE2	78,4	81,6	81,9	1,41	4,6	2,7
3D4 40-200/1.5	2	1,5	IE2	80,3	83,4	83,8	1,88	6,2	3,6
3D4 50-125/0.55R	0,75	0,55	-	-	-	-	0,80	2,6	1,5
3D4 50-125/0.55	0,75	0,55	-	-	-	-	0,80	2,6	1,5
3D4 50-160/1.1R	1,5	1,1	IE2	78,4	81,6	81,9	1,41	4,6	2,7
3D4 50-160/1.1	1,5	1,1	IE2	78,4	81,6	81,9	1,41	4,6	2,7
3D4 50-200/1.5R	2	1,5	IE2	80,3	83,4	83,8	1,88	6,2	3,6
3D4 50-200/1.5	2	1,5	IE2	80,3	83,4	83,8	1,88	6,2	3,6
3D4 50-200/2.2	3	2,2	IE2	84,6	86,0	85,6	2,70	8,1	4,7
3D4 65-125/0.55	0,75	0,55	-	-	-	-	0,80	2,6	1,5
3D4 65-125/0.75	1	0,75	IE2	78,4	81,6	81,9	1,41	4,6	2,7
3D4 65-125/1.1	1,5	1,1	IE2	78,4	81,6	81,9	1,41	4,6	2,7
3D4 65-160/1.1	1,5	1,1	IE2	78,4	81,6	81,9	1,41	4,6	2,7
3D4 65-160/1.5	2	1,5	IE2	80,3	83,4	83,8	1,88	6,2	3,6
3D4 65-160/2.2	3	2,2	IE2	84,6	86,0	85,6	2,70	8,1	4,7
3D4 65-200/2.2R	3	2,2	IE2	84,6	86,0	85,6	2,70	8,1	4,7
3D4 65-200/2.2	3	2,2	IE2	84,6	86,0	85,6	2,70	8,1	4,7
3D4 65-200/3	4	3	IE2	81,6	86,1	89,0	3,54	11,8	6,8



3D SERIES

NORMALISED AND MONOBLOCK CENTRIFUGAL ELECTROPUMPS CONFORMING TO EN 733 (EX DIN 24255)

ELECTRIC DATA TABLE 3DS - 3DP SERIES

4 Poles

Model 3DS4 SERIES Three-phase 230/400V	Model 3DP4 SERIES Three-phase 230/400V	Motor Size	P ₂		Efficiency	Efficiency(%) Three-phase			P ₁ [kW]	Absorbed Current [A] Three-phase	
			[HP]	[kW]		50%	η % 75%	100%		230V	400V
3DS4 32-125/0.25	3DP4 32-125/0.25	71	0,33	0,25	-	55,0	59,0	64,0	0,41	1,6	0,9
3DS4 32-160/0.37R	3DP4 32-160/0.37R		0,5	0,37	-	60,0	63,0	67,0	0,56	2,1	1,2
3DS4 32-160/0.37	3DP4 32-160/0.37		0,5	0,37	-	60,0	63,0	67,0	0,56	2,1	1,2
3DS4 32-200/0.55R	3DP4 32-200/0.55R	80	0,75	0,55	-	67,0	69,0	70,0	0,80	2,8	1,6
3DS4 32-200/0.55	3DP4 32-200/0.55		0,75	0,55	-	67,0	69,0	70,0	0,80	2,8	1,6
3DS4 32-200/0.75	3DP4 32-200/0.75		1	0,75	IE2	79,2	80,3	80,2	0,95	3,1	1,8
3DS4 32-200/0.75	3DP4 32-200/0.75			IE3	80,7	81,5	82,5	0,92	3,1	1,8	
3DS4 40-125/0.37R	3DP4 40-125/0.37R	71	0,5	0,37	-	60,0	63,0	67,0	0,56	2,1	1,2
3DS4 40-125/0.37	3DP4 40-125/0.37		0,5	0,37	-	60,0	63,0	67,0	0,56	2,1	1,2
3DS4 40-160/0.55R	3DP4 40-160/0.55R	80	0,75	0,55	-	67,0	69,0	70,0	0,80	2,8	1,6
3DS4 40-160/0.55	3DP4 40-160/0.55		0,75	0,55	-	67,0	69,0	70,0	0,80	2,8	1,6
3DS4 40-200/1.1R	3DP4 40-200/1.1R	90L	1,5	1,1	IE2	81,4	82,7	82,5	1,33	4,3	2,5
3DS4 40-200/1.1R	3DP4 40-200/1.1R				IE3	83,3	84,3	84,1	1,30	4,3	2,5
3DS4 40-200/1.1	3DP4 40-200/1.1				IE2	81,4	82,7	82,5	1,33	4,3	2,5
3DS4 40-200/1.1	3DP4 40-200/1.1		IE3	83,3	84,3	84,1	1,30	4,3	2,5		
3DS4 40-200/1.5	3DP4 40-200/1.5		2	1,5	IE2	82,0	83,5	83,0	1,81	5,9	3,4
3DS4 40-200/1.5	3DP4 40-200/1.5				IE3	84,1	85,2	85,3	1,80	6,2	3,6
3DS4 50-125/0.55R	3DP4 50-125/0.55R	80	0,75	0,55	-	67,0	69,0	70,0	0,80	2,8	1,6
3DS4 50-125/0.55	3DP4 50-125/0.55		0,75	0,55	-	67,0	69,0	70,0	0,80	2,8	1,6
3DS4 50-160/1.1R	3DP4 50-160/1.1R	90L	1,5	1,1	IE2	81,4	82,7	82,5	1,33	4,3	2,5
3DS4 50-160/1.1R	3DP4 50-160/1.1R				IE3	83,3	84,3	84,1	1,30	4,3	2,5
3DS4 50-160/1.1	3DP4 50-160/1.1				IE2	81,4	82,7	82,5	1,33	4,3	2,5
3DS4 50-160/1.1	3DP4 50-160/1.1		IE3	83,3	84,3	84,1	1,30	4,3	2,5		
3DS4 50-200/1.5R	3DP4 50-200/1.5R		2	1,5	IE2	82,0	83,5	83,0	1,81	5,9	3,4
3DS4 50-200/1.5R	3DP4 50-200/1.5R				IE3	84,1	85,2	85,3	1,80	6,2	3,6
3DS4 50-200/1.5	3DP4 50-200/1.5	2	1,5	IE2	82,0	83,5	83,0	1,81	5,9	3,4	
3DS4 50-200/1.5	3DP4 50-200/1.5			IE3	84,1	85,2	85,3	1,80	6,2	3,6	
3DS4 50-200/2.2	3DP4 50-200/2.2	100L	3	2,2	IE2	84,0	85,3	85,1	2,61	8,8	5,1
3DS4 50-200/2.2	3DP4 50-200/2.2				IE3	83,2	86,2	86,7	2,58	10,2	5,9
3DS4 65-125/0.55	3DP4 65-125/0.55	80	0,75	0,55	-	67,0	69,0	70,0	0,80	2,8	1,6
3DS4 65-125/0.75	3DP4 65-125/0.75		1	0,75	IE2	79,2	80,3	80,2	0,95	3,1	1,8
3DS4 65-125/0.75	3DP4 65-125/0.75				IE3	80,7	81,5	82,5	0,92	3,1	1,8
3DS4 65-125/1.1	3DP4 65-125/1.1	90L	1,5	1,1	IE2	81,4	82,7	82,5	1,33	4,3	2,5
3DS4 65-125/1.1	3DP4 65-125/1.1				IE3	83,3	84,3	84,1	1,30	4,3	2,5
3DS4 65-160/1.1	3DP4 65-160/1.1				1,5	1,1	IE2	81,4	82,7	82,5	1,33
3DS4 65-160/1.1	3DP4 65-160/1.1		IE3	83,3			84,3	84,1	1,30	4,3	2,5
3DS4 65-160/1.5	3DP4 65-160/1.5		2	1,5			IE2	82,0	83,5	83,0	1,81
3DS4 65-160/1.5	3DP4 65-160/1.5				IE3	84,1	85,2	85,3	1,80	6,2	3,6
3DS4 65-160/2.2	3DP4 65-160/2.2	100L	3	2,2	IE2	84,0	85,3	85,1	2,61	8,8	5,1
3DS4 65-160/2.2	3DP4 65-160/2.2				IE3	83,2	86,2	86,7	2,58	10,2	5,9
3DS4 65-200/2.2R	3DP4 65-200/2.2R	100L	3	2,2	IE2	84,0	85,3	85,1	2,61	8,8	5,1
3DS4 65-200/2.2R	3DP4 65-200/2.2R				IE3	83,2	86,2	86,7	2,58	10,2	5,9
3DS4 65-200/2.2	3DP4 65-200/2.2				3	2,2	IE2	84,0	85,3	85,1	2,61
3DS4 65-200/2.2	3DP4 65-200/2.2		IE3	83,2			86,2	86,7	2,58	10,2	5,9
3DS4 65-200/3	3DP4 65-200/3		4	3			IE2	85,3	86,6	86,4	3,47
3DS4 65-200/3	3DP4 65-200/3				IE3	85,1	87,1	87,7	3,44	11,8	6,8

The contents of the publication must not be regarded as binding. EBARA Pumps Europe S.p.A. reserves the right to effect any modifications it deems necessary, without prior notice.

3D SERIES

NORMALISED AND MONOBLOCK CENTRIFUGAL ELECTROPUMPS CONFORMING TO EN 733 (EX DIN 24255)

NOISE DATA TABLE 3D4 SERIES

4 Poles

Model 3D4	P ₂		L _{PA} - dB(A)*
	[HP]	[kW]	
3D4 32-125/0.25	0,33	0,25	<70
3D4 32-160/0.37R	0,5	0,37	
3D4 32-160/0.37	0,5	0,37	
3D4 32-200/0.55R	0,75	0,55	
3D4 32-200/0.55	0,75	0,55	
3D4 32-200/0.75	1	0,75	
3D4 40-125/0.37R	0,5	0,37	
3D4 40-125/0.37	0,5	0,37	
3D4 40-160/0.55R	0,75	0,55	
3D4 40-160/0.55	0,75	0,55	
3D4 40-200/1.10R	1,5	1,1	
3D4 40-200/1.10	1,5	1,1	
3D4 40-200/1.50	2	1,5	
3D4 50-125/0.55R	0,75	0,55	
3D4 50-125/0.55	0,75	0,55	
3D4 50-160/1.10R	1,5	1,1	
3D4 50-160/1.10	1,5	1,1	
3D4 50-200/1.50R	2	1,5	
3D4 50-200/1.50	2	1,5	
3D4 50-200/2.20	3	2,20	
3D4 65-125/0.55	0,75	0,55	
3D4 65-125/0.75	1	0,75	
3D4 65-125/1.10	1,5	1,1	
3D4 65-160/1.10	1,5	1,1	
3D4 65-160/1.50	2	1,5	
3D4 65-160/2.20	3	2,20	
3D4 65-200/2.20R	3	2,20	
3D4 65-200/2.20	3	2,20	
3D4 65-200/3.00	4	3	

* Mean value of several measures at 1m distance around the pump.
Tolerance ± 2.5 dB.

NOISE DATA TABLE 3DS4 - 3DP4 SERIES

4 Poles

Model		P ₂		L _{PA} - dB(A)*
3DS4	3DP4	[HP]	[kW]	
3DS4 32-125/0.25	3DP4 32-125/0.25	0,33	0,25	<70
3DS4 32-160/0.37R	3DP4 32-160/0.37R	0,5	0,37	
3DS4 32-160/0.37	3DP4 32-160/0.37	0,5	0,37	
3DS4 32-200/0.55R	3DP4 32-200/0.55R	0,75	0,55	
3DS4 32-200/0.55	3DP4 32-200/0.55	0,75	0,55	
3DS4 32-200/0.75	3DP4 32-200/0.75	1	0,75	
3DS4 40-125/0.37R	3DP4 40-125/0.37R	0,5	0,37	
3DS4 40-125/0.37	3DP4 40-125/0.37	0,5	0,37	
3DS4 40-160/0.55R	3DP4 40-160/0.55R	0,75	0,55	
3DS4 40-160/0.55	3DP4 40-160/0.55	0,75	0,55	
3DS4 40-200/1.10R	3DP4 40-200/1.10R	1,5	1,1	
3DS4 40-200/1.10	3DP4 40-200/1.10	1,5	1,1	
3DS4 40-200/1.50	3DP4 40-200/1.50	2	1,5	
3DS4 50-125/0.55R	3DP4 50-125/0.55R	0,75	0,55	
3DS4 50-125/0.55	3DP4 50-125/0.55	0,75	0,55	
3DS4 50-160/1.10R	3DP4 50-160/1.10R	1,5	1,1	
3DS4 50-160/1.10	3DP4 50-160/1.10	1,5	1,1	
3DS4 50-200/1.50R	3DP4 50-200/1.50R	2	1,5	
3DS4 50-200/1.50	3DP4 50-200/1.50	2	1,5	
3DS4 50-200/2.20	3DP4 50-200/2.20	3	2,20	
3DS4 65-125/0.55	3DP4 65-125/0.55	0,75	0,55	
3DS4 65-125/0.75	3DP4 65-125/0.75	1	0,75	
3DS4 65-125/1.10	3DP4 65-125/1.10	1,5	1,1	
3DS4 65-160/1.10	3DP4 65-160/1.10	1,5	1,1	
3DS4 65-160/1.50	3DP4 65-160/1.50	2	1,5	
3DS4 65-160/2.20	3DP4 65-160/2.20	3	2,20	
3DS4 65-200/2.20R	3DP4 65-200/2.20R	3	2,20	
3DS4 65-200/2.20	3DP4 65-200/2.20	3	2,20	
3DS4 65-200/3.00	3DP4 65-200/3.00	4	3	

* Mean value of several measures at 1m distance around the pump.
Tolerance ± 2.5 dB.