

Braukmann MiniPlus FK06-AAM

Filter combination with brass filter bowl

APPLICATION

MiniPlus FK06-AAM rinsable filter combinations ensure a continuous supply of filtered water.

They prevent the ingress of foreign bodies such as particles of rust, strands of hemp and grains of sand.

The accumulation of foreign particles in the base of the filter bowl can be easily removed by rinsing the filter.

The pressure reducing valve prevents over-pressure damage and reduces the water consumption.

Compact in size, the device can be fitted even where space is limited.

SPECIAL FEATURES

- The set pressure is directly indicated on the set point scale
- The adjustment spring is not in contact with the potable water
- The valve insert is of high-quality synthetic material and can be fully exchanged
- Filtered water supply even during rinsing
- Inlet pressure balancing – fluctuating inlet pressure does not influence outlet pressure
- Meets KTW recommendations for potable water



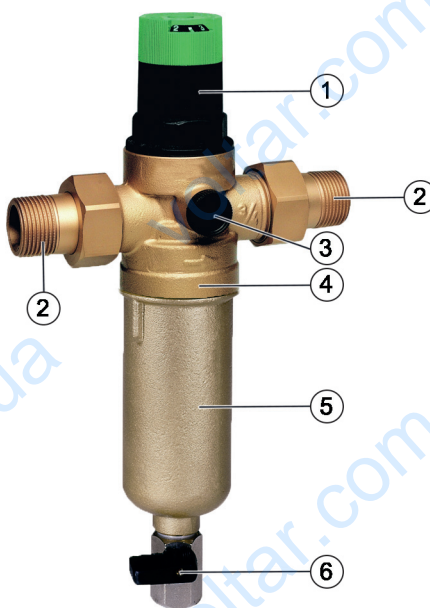
TECHNICAL DATA

Media	
Medium:	Drinking water
Connections/Sizes	
Connection sizes:	1/2" - 1 1/4"
Pressure values	
Max. operating pressure:	16.0 bar
Inlet pressure:	max. 16.0 bar
Outlet pressure:	1.5 - 6.0 bar
Operating temperatures	
Max. operating temperature medium:	70 °C*
Specifications	
Installation position:	Horizontal with filter bowl downwards

Note: *max. operating pressure 10 bar

Note: The filter is constructed for drinking water installations. In case of a process water application the filter has to be proven individually.

CONSTRUCTION

Overview	Components	Materials	
	1	Spring bonnet with adjustment knob and setting scale	High-quality synthetic material
	2	Threaded connections	Brass
	3	Housing with pressure gauge connections on both sides	Dezincification-resistant brass
	4	Pressure gauge not included (see accessories)	-
	5	Fine filter in brass filter bowl	Stainless steel fine filter Dezincification resistant brass filter bowl
	6	Ball valve	-
	Not depicted components:		
	Adjustment spring	Spring steel	
	Valve insert complete with diaphragm and valve seat	High-quality synthetic material, fibre-reinforced NBR diaphragm	
	Seals	NBR	
	Double wring wrench	Plastic	

METHOD OF OPERATION

The filter combination integrates a pressure reducing valve and a rinsable fine filter cartridge in one appliance.

During normal operation, water flows through the filter mesh to the body outlet. To rinse the filter, the ball valve is opened which discharges the dirt particles. A continuous supply of filtered water is available also during the rinse cycle.

The integral pressure reducing valve functions on a balanced force principle whereby the force exerted by a diaphragm is balanced against the force of an adjustment spring. The inlet pressure has no influence on opening or closing of the valve. Inlet pressure fluctuation does not therefore affect the outlet pressure.

TRANSPORTATION AND STORAGE

Keep parts in their original packaging and unpack them shortly before use.

The following parameters apply during transportation and storage:

Parameter	Value
Environment:	clean, dry and dust free
Min. ambient temperature:	5 °C
Max. ambient temperature:	55 °C
Min. ambient relative humidity:	25 % *
Max. ambient relative humidity:	85 % *

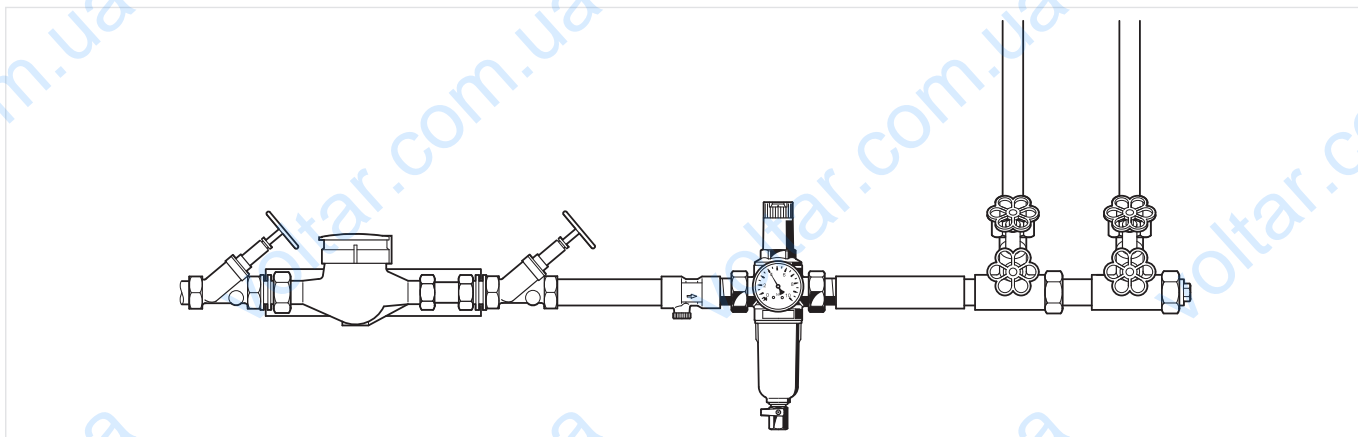
*non condensing

INSTALLATION GUIDELINES

Setup requirements

- Install in horizontal pipework with filter bowl downwards
 - This position ensures optimum filter efficiency
- Install shut-off valves
- These filters are armatures which need to be maintained regularly
- Ensure good access
 - Degree of contamination can be easily seen with clear filter bowl
 - Simplifies maintenance and inspection
- The installation location should be protected against frost
- Related to the EN 806-2 it is recommended to install the filter immediately after the water meter
- In order to avoid flooding, it is recommended to arrange a permanent, professionally dimensioned wastewater connection

Installation Example

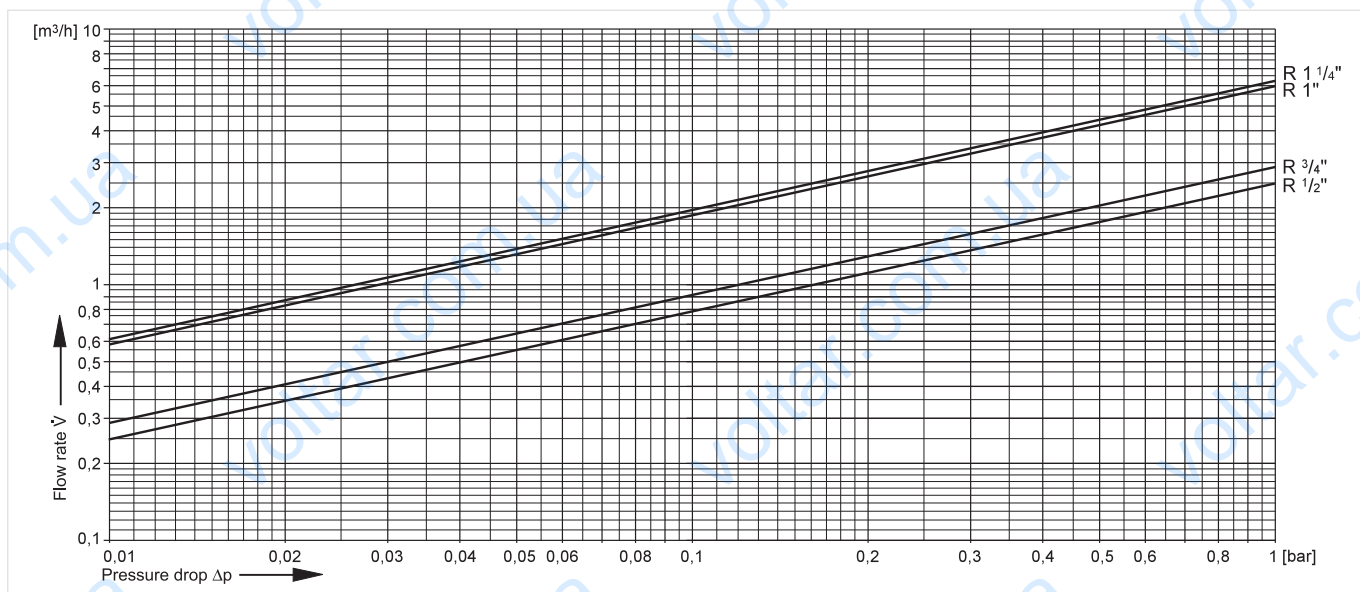


TECHNICAL CHARACTERISTICS

kvs-Values

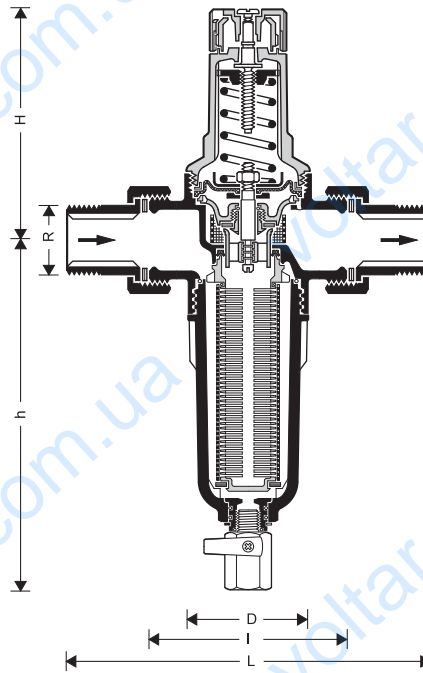
Connection sizes:	15	20	25	32
kvs-value (m ³ /h):	2.5	2.9	6.0	6.2

Pressure drop characteristics



DIMENSIONS

Overview



Parameter	Values				
Connection sizes:	R	1/2"	3/4"	1"	1 1/4"
Nominal size diameter:	DN	15	20	25	32
Dimensions:	L	140	160	180	197
	I	80	90	100	105
	H	89	89	111	111
	h	156	156	180	180
	D	54	54	61	61
Weight:	kg	0.7	1.0	1.5	1.7

Note: All dimensions in mm unless stated otherwise.

ORDERING INFORMATION

The following tables contain all the information you need to make an order of an item of your choice. When ordering, please always state the type, the ordering or the part number.

Options

The filter combination is available in the following sizes: 1/2", 3/4", 1" and 1 1/4".




- standard
- not available

		FK06-...AAM
Connection type:	Threaded union connectors, filter mesh size 100 µm	•

Note: ... = space holder for connection size

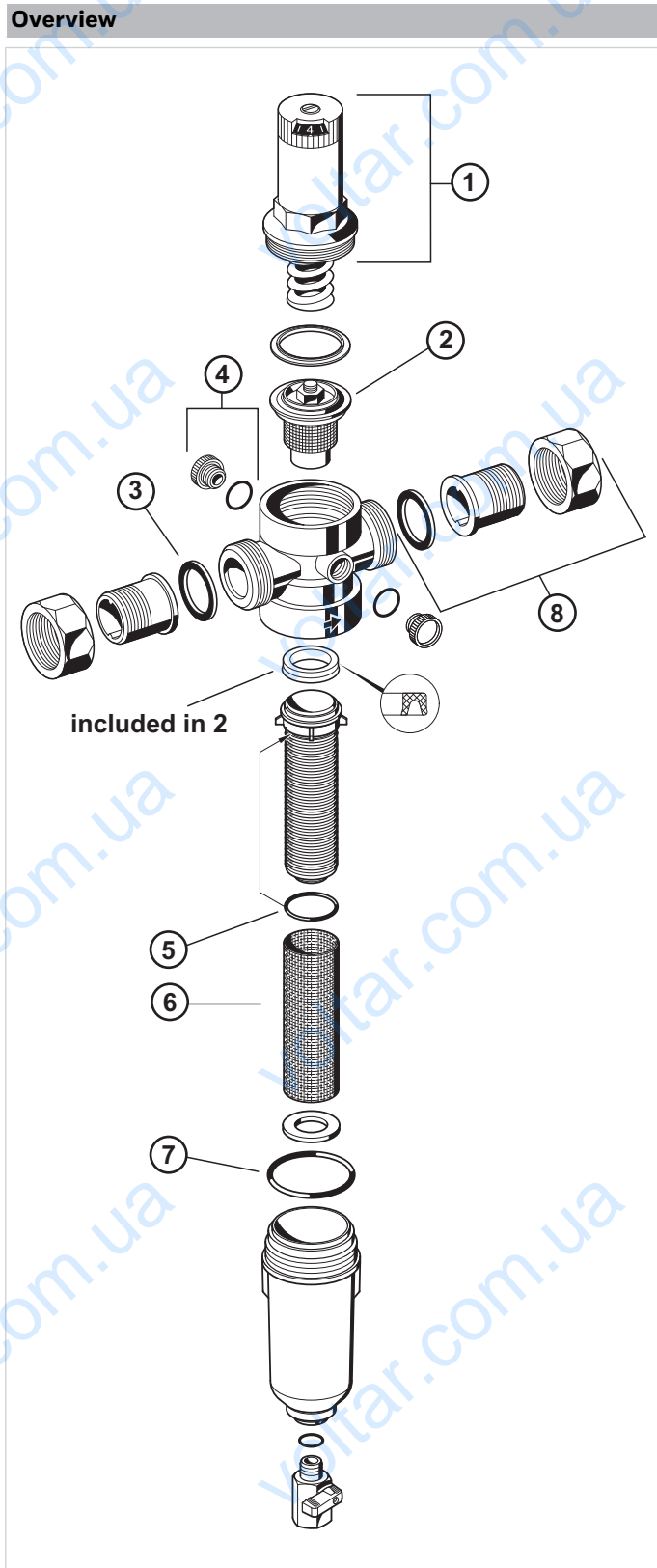
Note: Ordering number example for 1" and type AAM valve: FK06-1AAM

Accessories

	Description	Dimension	Part No.	
	M07M Pressure gauge Housing diameter 63 mm, rear connection thread G 1/4" Note: Please indicate upper value of pressure range when ordering.			
		Range: 0 - 4 bar		M07M-A4
		Range: 0 - 10 bar		M07M-A10
		Range: 0 - 16 bar		M07M-A16
		Range: 0 - 25 bar		M07M-A25
	ZR06F Double ring wrench For removing filter bowl			
		1/2" - 1 1/4"	ZR06F	
	VST06B Connection set Solder connections			
		1/2"	VST06-1/2B	
		3/4"	VST06-3/4B	
		1"	VST06-1B	
		1 1/4"	VST06-1 1/4B	

Spare Parts

MiniPlus FK06-AAM Filter Combinations from 2002 onwards



Description	Dimension	Part No.
1 Spring bonnet complete	1/2" + 3/4"	0901515
	1" + 1 1/4"	0901516
2 Valve cartridge complete (without filter insert)	1/2" + 3/4"	D06FA-1/2
	1" + 1 1/4"	D06FA-1B
3 Seal ring set (10 pcs.)	1/2"	0901443
	3/4"	0901444
	1"	0901445
	1 1/4"	0901446
4 Blanking plug with O-ring R¹/₄" (5 pcs.)		S06K-1/4
5 O-ring set for carrier body (10 pcs.)	1/2" + 3/4"	0903127
	1" + 1 1/4"	0903128
6 Replacement filter insert	1/2" + 3/4"	AS06-1/2A
	1" + 1 1/4"	AS06-1A
7 O-ring set for filter bowl (10 pcs.)	1/2" + 3/4"	0901246
	1" + 1 1/4"	0901499
8 Connection set threaded connection	1/2"	VST06-1/2A
	3/4"	VST06-3/4A
	1"	VST06-1A
	1 1/4"	VST06-11/4A



Manufactured for and on behalf of
 Pittway Sàrl, Z.A., La Pièce 4,
 1180 Rolle, Switzerland

For more information
homecomfort.resideo.com/europe
 Ademco 1 GmbH, Hardhofweg 40,
 74821 MOSBACH, GERMANY
 Phone: +49 6261 810
 Fax: +49 6261 81309