



V2211/V2212

Fourway Distribution Valves

Connection valves for distribution systems

APPLICATION

Fourway distribution valves are used to connect the supply and return of a radiator to the heating loop. Individual radiators can be shut-off without affecting or interrupting the water flow of the heating loop.

By using distribution valve connections under the floor or in the wall are avoided. Angle pattern valves can be used on the left or on the right side of a radiator.

V2211 distribution valves are used for one-pipe systems and have a radiator flow share of 50 %. V2212 distribution valves are used for two-pipe systems and have a radiator flow share of 100 %.

FEATURES

- No connections under the floor necessary
- Shut-off does not affect other radiators in the loop
- For 2-pipe systems
- With G^{3/4}" (Eurocone) external threads

SPECIFICATIONS

Medium:	Water or glycol-water mixture, according to VDI 2035
Operating temperature:	2 - 100 °C (36 - 212 °F)
Operating pressure:	PN10
k _{vs} (C _{vs})-value:	V2211: 2.7 (3.16) V2212: 1.5 (1.76)

FUNCTION

The distribution valve supplies incoming heating water to the connected riser tube and heating water returning from the radiator back into the heating loop.

The radiator is shut-off from the heating loop when the valve insert is closed. Following radiators in the heating loop are not affected by this.



DESIGN

The distribution valve consists of:

- Valve housing PN10, DN15 with G^{3/4}" external threads
- Shut-off valve insert
- Protection cap
- Union-nut and radiator tailpiece

MATERIALS

- Valve housing made of nickel-plated brass
- Valve insert made of brass with EPDM O-rings
- Union-nut, tailpiece and cap made of nickel-plated brass

DIMENSIONS AND ORDERING INFORMATION

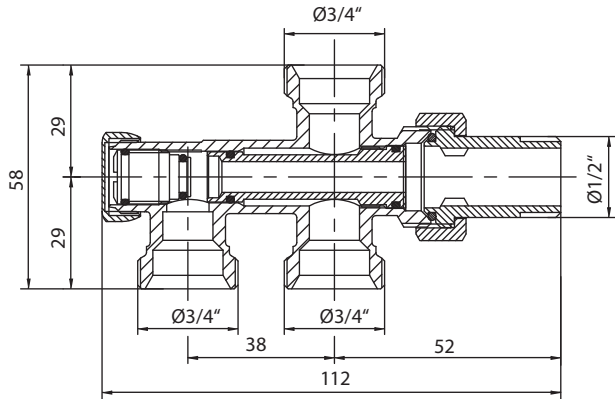


Fig. 1. Straight version

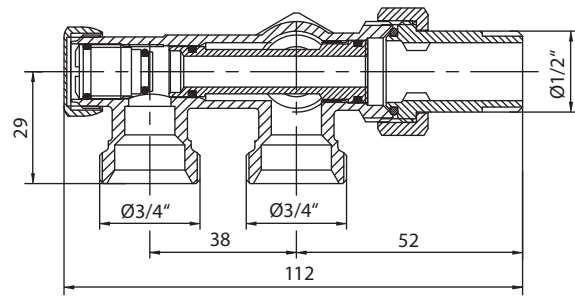


Fig. 2. Angle version

Note: All dimensions in mm unless stated otherwise.


Tab. 1 Dimensions and OS-Nos (OS=Ordering System)

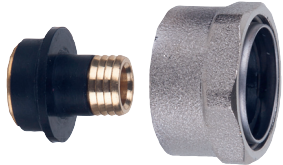


Item	Description	OS.-No.
V2211X floor	Fourway distribution valve for one-pipe systems (radiator share 50 %), straight version, floor connection	V2211XD0020
V2211X wall	Fourway distribution valve for one-pipe systems (radiator share 50 %), angle version, wall connection	V2211XE0020
V2212X floor	Fourway distribution valve for two-pipe systems, straight version, floor connection	V2212XD0020
V2212X wall	Fourway distribution valve for two-pipe systems, angle version, wall connection	V2212XE0020

PLEASE NOTE:

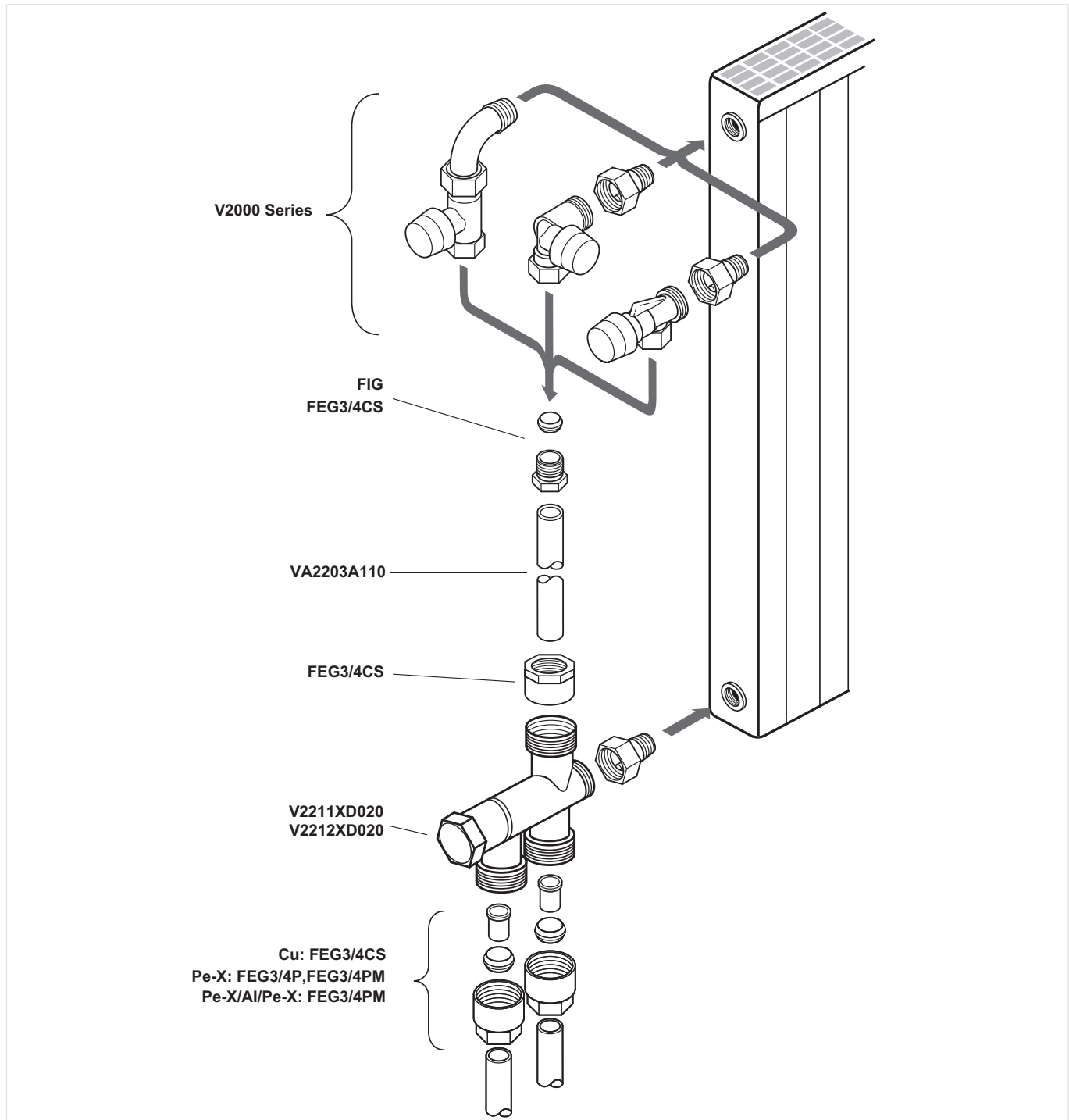
- To avoid stone deposit and corrosion the composition of the medium should conform with VDI-Guideline 2035
- Additives have to be suitable for EPDM sealings
- System has to be flushed thoroughly before initial operation with all valves fully open
- Any complaints or costs resulting from non-compliance with above rules will not be accepted by Honeywell Home
- Please contact us if you should have any special requirements or needs

ACCESSORIES

	Description	Dimension	Part No.	
	FIG3/8CS Compression fitting for COPPER and STEEL pipe Consisting of compression nut and compression ring. For valves with internal thread. Note: Support inserts have to be used for copper or soft steel pipe with 1.0 mm wall thickness. Max. operating temperature 120 °C, max. operating pressure 10 bar.			
		$3/8"$, DN10, 1 pcs.	10 mm	FIG3/8CS10
		$3/8"$, DN10, 1 pcs.	12 mm	FIG3/8CS12
		$1/2"$, DN15, 1 pcs.	10 mm	FIG1/2CS10
		$1/2"$, DN15, 1 pcs.	12 mm	FIG1/2CS12
		$1/2"$, DN15, 1 pcs.	14 mm	FIG1/2CS14
		$1/2"$, DN15, 1 pcs.	15 mm	FIG1/2CS15
		$1/2"$, DN15, 10 pcs.	15 mm	FIG1/2CS15-10
		$1/2"$, DN15, 1 pcs.	16 mm	FIG1/2CS16
		$3/4"$, DN20, 1 pcs.	18 mm	FIG3/4CS18
		$3/4"$, DN20, 1 pcs.	22 mm	FIG3/4CS22
	FIG3/8CSS Compression fitting for COPPER and STEEL pipe Consisting of compression nut and compression ring and support insert. For valves with internal thread. Note: Support inserts have to be used for copper or soft steel pipe with 1.0 mm wall thickness. Max. operating temperature 120 °C, max. operating pressure 10 bar.			
		$3/8"$, DN10	12 mm	FIG3/8CSS12
		$1/2"$, DN15	12 mm	FIG1/2CSS12
		$1/2"$, DN15	14 mm	FIG1/2CSS14
		$1/2"$, DN15	15 mm	FIG1/2CSS15
		$1/2"$, DN15	16 mm	FIG1/2CSS16
		$1/2"$, DN15	18 mm	FIG1/2CSS18
		$3/4"$, DN20	18 mm	FIG3/4CSS18
	FIG1/2M Compression fitting for MULTILAYER pipe. Consisting of compression nut, compression ring and support insert. For valves with internal thread. Note: Max. operating temperature 90°C, max. operating pressure 10 bar			
		$1/2"$, DN15	16 mm	FIG1/2M16X2
	FEG3/4CS Compression fitting for COPPER and STEEL pipe. Consisting of one-piece (preassembled) nut. Soft sealing connection. For valves with external thread $G^{3/4}$. Note: Reinforcing insert for copper or soft steel pipe with 1.0 mm wall thickness not required. Max. operating temperature 90°C, max. operating pressure 10 bar.			
		$G^{3/4}$ ", 1 pcs.	10 mm	FEG3/4CS10
		$G^{3/4}$ ", 1 pcs.	12 mm	FEG3/4CS12
		$G^{3/4}$ ", 1 pcs.	14 mm	FEG3/4CS14
		$G^{3/4}$ ", 10 pcs.	14 mm	FEG3/4CS14-10
		$G^{3/4}$ ", 1 pcs.	15 mm	FEG3/4CS15
		$G^{3/4}$ ", 10 pcs.	15 mm	FEG3/4CS15-10
		$G^{3/4}$ ", 1 pcs.	16 mm	FEG3/4CS16
		$G^{3/4}$ ", 1 pcs.	18 mm	FEG3/4CS18
	FEG3/4P Compression fitting for PEX pipe. Consisting of one-piece (preassembled) nut and reinforcing insert. Soft sealing connection. For valves with external thread $G^{3/4}$. Note: Max. operating temperature 90°C, max. operating pressure 10 bar.			
		$G^{3/4}$ ", 1 pcs.	12 x 1.1 mm	FEG3/4P12X1.1
$G^{3/4}$ ", 1 pcs.	16 x 1.5 mm	FEG3/4P16X1.5		

	FEG3/4PM	Compression fitting for PEX and MULTILAYER pipe. Consisting of one-piece nut with preassembled antitorison elastic compression ring and one-piece reinforcing insert. For valves with external thread G ³ / ₄ ". Note: Max. operating temperature 90°C, max. operating pressure 10 bar.
	VA2203A	Chrome-plated precision steel riser tube 15 x 1 mm, length 1.100 mm
	VA2202Axxx	Pressure cap – for shutting off valves on radiator outlet for valve DN15 VA2202A015

APPLICATION OVERVIEW



For more information

homecomfort.resideo.com/europe



Ademco 1 GmbH
Hardhofweg 40
74821 MOSBACH
GERMANY
Phone: +49 6261 810
Fax: +49 6261 81309

Manufactured for and on behalf of the
Pittway Sàrl, La Pièce 4, 1180 Rolle, Switzerland
by its Authorised Representative Ademco 1 GmbH
EN0H-2405GE25 R0520

Subject to change

© 2020 Pittway Sàrl. All rights reserved.

This document contains proprietary information of
Pittway Sàrl and its affiliated companies and is
protected by copyright and other international laws.
Reproduction or improper use without specific
written authorisation of Pittway Sàrl is strictly
forbidden. The Honeywell Home trademark is used
under license from Honeywell International Inc.

Honeywell Home