

Braukmann

V5007

Kombi-PICV

Pressure Independent Balancing and Control Valve

Application

The V5007 is a Pressure Independent Control Valve (PICV). It combines a flow controller and a full stroke, full authority temperature controller in one valve.

Equipped with an actuator Kombi-PICV provides a full stroke modulating temperature control.

It is suitable for use in variable and constant flow systems.

They may be used as constant flow limiter in constant flow systems (without an actuator) or as a Pressure Independent Control Valve in variable flow systems.

V5007 is typically used for balancing and temperature control of fan coil units, chilled ceilings and one-pipe heating systems. It is not intended for a potable water control.

Special Features

- Automatic balancing of differential pressure
 - Precise pressure independent flow performance
 - Highest energy saving potential due to efficient energy transfer and minimised pump speed
 - Measuring possibility to find the optimal setpoint for the pump
 - Versions with or without measuring connections available
 - Reduced movements of actuators as pressure fluctuation do not influence the required temperature
 - No complex calculation needed for selection
 - No balancing method needed for commissioning
 - Equal-percentage characteristics when used with modulating actuator
- Wide range of application
 - Sizes DN15 to DN50 cover all popular sizes on Fan Coil Units various versions to support standard flow rates as well as low flow and high flow needs
 - Covers hydronic balancing and temperature control in one valve thus reducing mounting costs
- Easy commissioning
 - Presetting with visual flow scale indicating directly the preset cubic meters per hour
 - Presetting using standard tool (wrench)
 - Can balance a system even if only some parts of a building are in operation
- Maintenance friendly
 - Emergency shut-off function with plastic cap – not for permanent use, maximum 6 bars one side overpressure



V5007T(Z/N)10



V5007T(Z/N)20

- Draining and cleaning by opening of diaphragm area
- Flow measuring possibility for problematic applications (only with versions having measuring connections)
- Dirt resistant – no dead zones in the valves. Continuous flow assures self-cleaning effects. Ability to flush the diaphragm area

Valve Efficiency

	low				high
Energy efficiency	●	●	●	●	●
Commissioning effort	●	●	○	○	○
Calculation effort	●	●	○	○	○

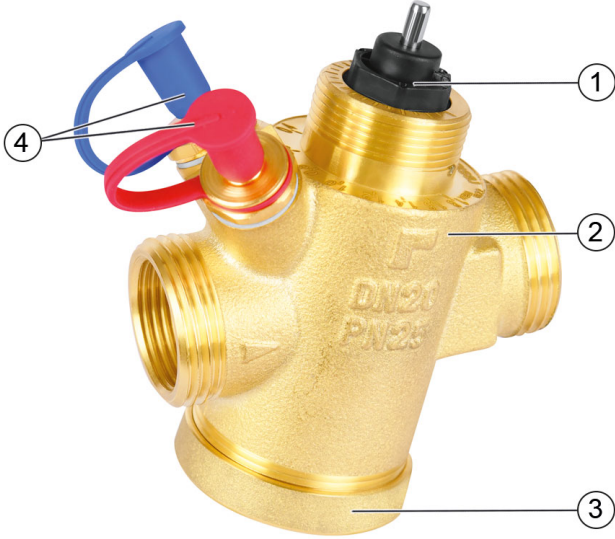
Technical Data

Media	
Medium:	Water with max. 50 % glycol according to VDI 2035 (up to 50 % Glycol)
pH-value:	8 - 9.5
Pressure values	
Max. operating pressure:	max. 25 bar for V5007T(Z/N)10... max. 16 bar for V5007T(Z/N)20... variants
Differential pressure range:	
Δp_{min}	see table "K _v -values for measurement"
Δp_{max}	600 kPa (6 bar)
Operating temperatures	
Max. operating temperature medium:	-10 to 120 °C (14 - 248 °F)

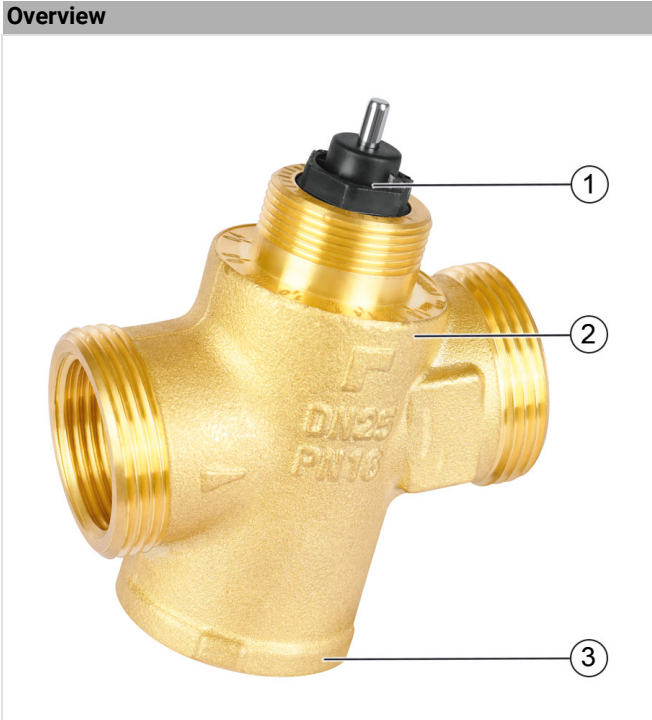
Connections/Sizes	
Nominal size:	DN15 - DN50
Specifications	
Flow values:	see table "K _v -values for measurement"
Leakage:	According to Class IV IEC 60534-4 (up to 6 bar differential pressure)
k _{vs} (c _{vs})-value:	see table "K _v -values for measurement"
Pressure accuracy:	+/- 10 % of actual preset value in ideal conditions for presetting higher than 20 % of maximum (for DN50 up to 80 % of maximum presetting)

Construction

V5007T(Z/N)10... variants

Overview	Components	Materials	
	1	Hexagon for presetting the valve. Easy presetting by standard tool (SW19)	High performance polymer
	2	Valve housing for internal and external threads (V5007TZ... variant) and internal threads (V5007TN... variant)	Dezincification-resistant brass
	3	Metallic cover with draining connection secured by nut allows PN25	Dezincification-resistant brass
	4	Two SafeCon™ pressure test valves for measuring using venturi effect	Dezincification-resistant brass
Not depicted components:			
	Valve insert with diaphragm assembly	High resistant polymer with EPDM diaphragm and stainless steel components	
	Sealings	EPDM	
	Presetting parts	High resistant polymer and brass	
	Inner parts	Brass, stainless steel, high resistant polymer and EPDM	
	Installation and setup instructions	Paper	

V5007T(Z/N)20... variants

Overview	Components	Materials	
	1	Hexagon for presetting the valve. Easy presetting by standard tool (SW19)	High performance polymer
	2	Valve housing for internal and external threads (V5007TZ... variant) and internal threads (V5007TN... variant)	Dezincification-resistant brass
	3	PPS cover with stainless c-clip having high rust resistance (allows PN16)	High performance polymer and stainless steel
Not depicted components:			
	Valve insert with diaphragm assembly	High resistant polymer with EPDM diaphragm and stainless steel components	
	Sealings	EPDM	
	Presetting parts	High resistant polymer and brass	
	Inner parts	Brass, stainless steel, high resistant polymer and EPDM	
	Installation and setup instructions	Paper	

Method of Operation

The V5007 combines the functionality of a dynamic balancing valve and a control valve in one product.

The dynamic balancing function maintains a constant differential pressure over the control valve.

The control valve regulates the flow by means of a variable orifice which is controlled by the actuator (with the equal percentage characteristics of the control).

The constant differential pressure across the control valve ensures accurate control and full valve authority, independent of the pressure conditions in the system.

To adjust the maximum flow setting:

- 1) disengage actuator by removing actuator from valve or loosening the actuator nut while securing actuator
- 2) turn the hexagon to required flow setting
- 3) remount the actuator

Measurement

The V5007TN10... and V5007TZ10... variant of the valve enables two type measurement using pressure test valves. These measuring ports gets its pressure on the inner orifice, which is only dependent on the presetting of the valve and thus not changing with the differential pressure regulated on the valve. One of the ports (+) is in front of the orifice, one is behind the inner orifice on the outlet of the valve. The measurement available is following:

Flow measurement

For the flow measurement the differential pressure measurement and the k_v -value correspondent to the presetting of the valve is necessary. The valve plug has to be in fully open position (i.e. the actuator has to be fully opened or not installed on the valve). The differential pressure can be obtained by measurement on the pressure test valves according to the following schematics:

Flow rate can be calculated according to a following formula:

$$Q = k_v \times \sqrt{\Delta p_Q}$$

Formula	Unit	Description
k_v	[l/h]	Coefficient obtained from following table (in accordance with actual presetting of the valve)
Δp_Q	[bar]	Measured differential pressure

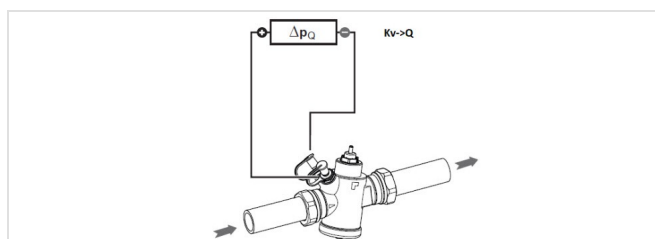


Fig. 1 Flow measurement

Differential pressure measurement

In case the overall differential pressure over the whole valve needs to be obtained, the additional accessory for measurement needs to be used which enables the pressure measurement in front of the valve (Measuring adaptor with heat sink – see Item No. in the accessories section). The pressure measurement port on the accessory and \ominus port on the valve (see Fig. 2) should be used for the measurement.

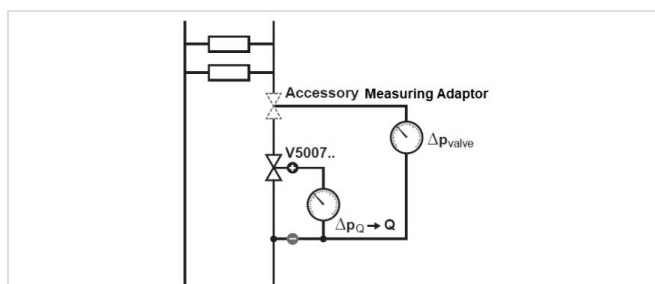


Fig. 2 Differential pressure measurement

Transportation and Storage

Keep parts in their original packaging and unpack them shortly before use.

The following parameters apply during transportation and storage:

Parameter	Value
Environment:	clean, dry and dust free
Min. ambient temperature:	5 °C
Max. ambient temperature:	60 °C
Min. ambient relative humidity:	5 % *
Max. ambient relative humidity:	90 % *

*non condensing

Technical Characteristics

K_v-values for measurement

DN	Flow range														Item No.
	Min. flow (l/h)	Max. flow (l/h)													
15	10	350	Pre-setting	10	70	100	130	160	190	220	250	280	310	350	V5007TZ10150350 V5007TN10150350
			K _v -value	0.07	0.18	0.26	0.34	0.41	0.49	0.57	0.65	0.72	0.8	0.9	
15	120	1400	Pre-setting	120	250	380	510	640	770	900	1030	1160	1290	1400	V5007TZ10151400 V5007TN10151400
			K _v -value	0.31	0.65	0.98	1.32	1.65	1.99	2.32	2.66	3	3.33	3.61	
20	80	1000	Pre-setting	80	170	260	350	440	530	620	710	800	890	1000	V5007TZ10201000 V5007TN10201000
			K _v -value	0.21	0.44	0.67	0.9	1.14	1.37	1.6	1.83	2.07	2.3	2.58	
20	150	2000	Pre-setting	150	340	530	720	910	1100	1290	1480	1670	1860	2000	V5007TZ10202000 V5007TN10202000
			K _v -value	0.39	0.88	1.37	1.86	2.35	2.84	3.33	3.82	4.31	4.8	5.16	
25	180	2000	Pre-setting	180	360	540	720	900	1080	1260	1440	1620	1800	2000	V5007TZ10252000 V5007TN10252000
			K _v -value	0.46	0.93	1.39	1.86	2.32	2.79	3.25	3.72	4.18	4.65	5.16	
25	300	2700	Pre-setting	300	540	780	1020	1260	1500	1740	1980	2220	2460	2700	V5007TZ10252700 V5007TN10252700
			K _v -value	0.77	1.39	2.01	2.63	3.25	3.87	4.49	5.11	5.73	6.35	6.97	
32	500	4000	Pre-setting	500	850	1200	1550	1900	2550	2600	2950	3300	3650	4000	V5007TZ10324000 V5007TN10324000
			K _v -value	1.29	2.19	3.1	4	4.91	5.81	6.71	7.62	8.52	9.42	10.33	
40	1000	7500	Pre-setting	1000	1650	2300	2950	3600	4250	4900	5550	6200	6850	7500	V5007TZ10407500 V5007TN10407500
			K _v -value	2.58	4.26	5.94	7.62	9.3	10.97	12.65	14.33	16.01	17.69	19.36	
50	2000	12000	Pre-setting	2000	3000	4000	5000	6000	7000	8000	9000	10000	11000	12000	V5007TZ105012000 V5007TN105012000
			K _v -value	5.16	7.75	10.3	12.9	15.49	18.07	20.66	23.24	25.82	28.4	30.98	

Compatible actuators

DN	Stroke (mm)	MT4	MT8	M5410	M7410A	M4410	M7410E	M6410/ M7410C	M100	Item No.
		4.0 mm, 90 N, on/off, Thermal	8.0 mm, 90 N, on/off, Thermal	8.0 mm, 90 N on/off	4.0 mm, 90 N, 3-point	4.0 mm, 100 N, Mod.	8.0 mm, 180 N, Mod.	8.0 mm, 180 N, 3-point	4.0 mm, 90 N, on/off, Thermal	
15	2.9	x			x	x			x	V5007TZ10150350
15	6.0		x	x			x*			V5007TZ10151400
15	2.9	x			x	x			x	V5007TN10150350
15	6.0		x	x			x*			V5007TN10151400
15	2.9	x			x	x			x	V5007TZ20150350
15	6.0		x	x			x*			V5007TZ20151400
15	2.9	x			x	x			x	V5007TN20150350
15	6.0		x	x			x*			V5007TN20151400
20	2.9	x			x	x			x	V5007TZ10201000
20	6.0		x	x			x*			V5007TZ10202000
20	2.9	x			x	x			x	V5007TN10201000
20	6.0		x	x			x*			V5007TN10202000
20	2.9	x			x	x			x	V5007TZ20201000
20	6.0		x	x			x*			V5007TZ20202000
20	2.9	x			x	x			x	V5007TN20201000
20	6.0		x	x			x*			V5007TN20202000
25	2.9	x			x	x			x	V5007TZ10252000
25	6.0		x	x			x*			V5007TZ10252700
25	2.9	x			x	x			x	V5007TN10252000
25	6.0		x	x			x*			V5007TN10252700
25	2.9	x			x	x			x	V5007TZ20252000
25	6.0		x	x			x*			V5007TZ20252700
25	2.9	x			x	x			x	V5007TN20252000
25	6.0		x	x			x*			V5007TN20252700
32	6.0						x	x		V5007TZ10324000
32	6.0						x	x		V5007TN10324000
40	6.0						x	x		V5007TZ10407500
40	6.0						x	x		V5007TN10407500
50	6.0						x	x		V5007TZ105012000
50	6.0						x	x		V5007TN105012000

Note: *To ensure compatibility the actuator pointer needs to be removed. (see picture "Remove actuator pointer")

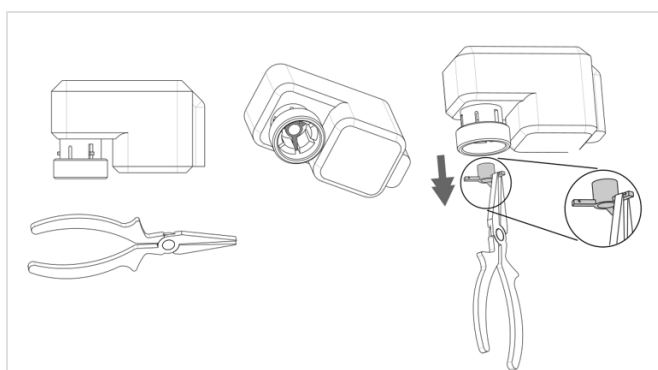
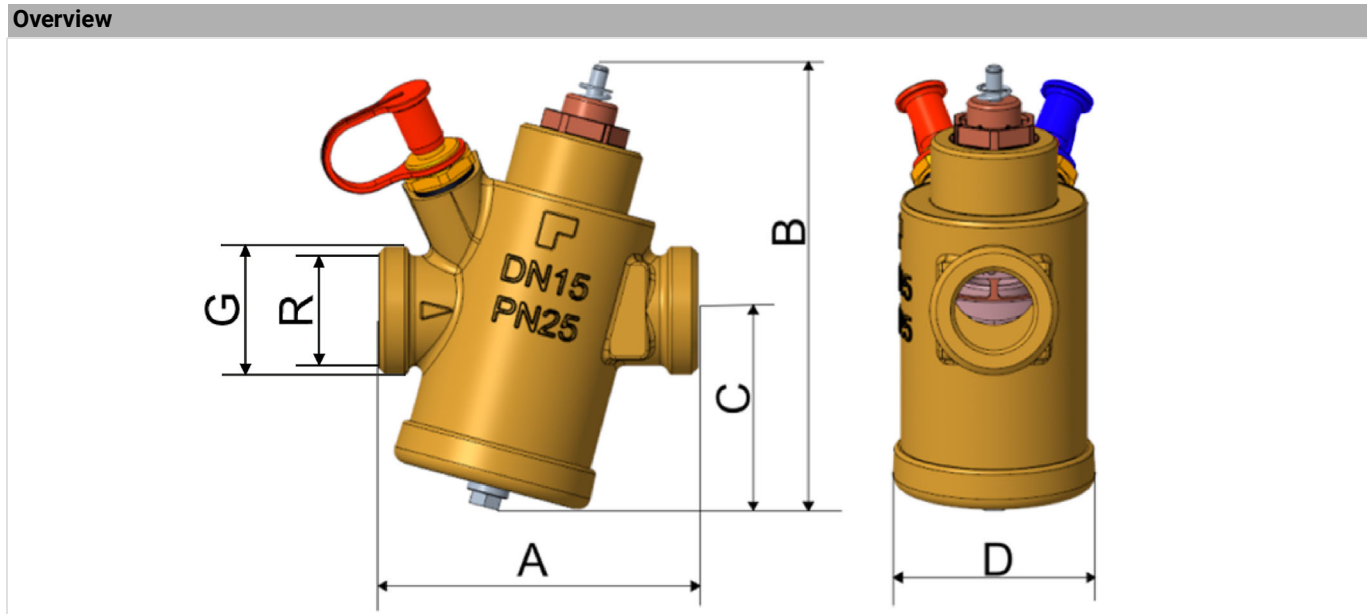


Fig. 3 Remove actuator pointer

Dimensions



Parameter		Value						
Nominal size diameter:	DN	15	20	25	32	40	50	
Dimensions:	A	75	79	83	130	130	158	
	B	105	105	105	123	124	136	
	C	47	47	47	69	69	72	
	D	48	48	48	91	91	99	
Thread internal:	V5007TZ.../ V5007TN...	R Rp 1/2" (NPT1/2)	Rp 3/4" (NPT3/4)	Rp 1" (NPT1)	Rp 1 1/4" (NPT1-1/4)	Rp 1 1/2" (NPT1-1/2)	Rp 2" (NPT2)	
Thread external:	V5007TZ... only	G 7/8"	1"	1 1/4"	1 3/4"	2"	2 1/2"	

Ordering Information

The following tables contain all the information you need to make an order of an item of your choice. When ordering, please always state the type, the ordering or the part number.

Options

DN	Differential pressure range		Actuator stroke** (closing dimension 11.5) [mm]	Item No. with measuring ports, European threads	Item No. without measuring ports, European threads	Item No. with measuring ports, internal NPT threads	Item No. without measuring ports, internal NPT threads
	$\Delta p_{min.}^*$ (kPa)	$\Delta p_{max.}$ (kPa)					
15	15	600	2.9	V5007TZ10150350	V5007TZ20150350	V5007TN10150350	V5007TN20150350
15	18		6	V5007TZ10151400	V5007TZ20151400	V5007TN10151400	V5007TN20151400
20	18		2.9	V5007TZ10201000	V5007TZ20201000	V5007TN10201000	V5007TN20201000
20	20		6	V5007TZ10202000	V5007TZ20202000	V5007TN10202000	V5007TN20202000
25	18		2.9	V5007TZ10252000	V5007TZ20252000	V5007TN10252000	V5007TN20252000
25	20		6	V5007TZ10252700	V5007TZ20252700	V5007TN10252700	V5007TN20252700
32	20		6	V5007TZ10324000	-	V5007TN10324000	-
40	20		6	V5007TZ10407500	-	V5007TN10407500	-
50	20		6	V5007TZ105012000	-	V5007TN105012000	-

Note: * Valve is set to 20 % opening.

Note: ** Actuator force in the range 90 N to 200 N allowed.

Accessories

	Description	Dimension	Item No.	
	MT4	Actuator: 4.0 mm stroke, 90 N, on/off, thermoelectric		
			MT4-024-NO	
			MT4-024-NO-2.5M	
			MT4-024S-NO	
			MT4-024-NC	
			MT4-024-NC-2.5M	
			MT4-024S-NC	
			MT4-230-NO	
			MT4-230-NO-2.5M	
			MT4-230S-NO	
			MT4-230-NC	
			MT4-230-NC-2.5M	
		MT4-230S-NC		
	MT8	Actuator: 8.0 mm stroke, 90 N, on/off, thermoelectric		
		NO = Normally open	24 V AC/DC	MT8-024-NO
		NC = Normally closed	24 V AC/DC	MT8-024-NC
		NO = Normally open	230 V AC	MT8-230-NO
	NC = Normally closed	230 V AC	MT8-230-NC	
	M5410	Actuator: 6.5 mm stroke, 100 N, on/off, fast motorized		
		Note: Closes when power fails	M5410C1001 M5410L1001	
	M7410A	Actuator: 4.0 mm stroke, 90 N, 3-point, on/off		
		Note: By use of this actuator series the max. flow of the valve is reduced by 15 %	M7410A1001 M7410A1001-3M	
	M4410	Actuator: 4.0 mm stroke, 100 N, modulating, thermoelectric 0 - 10 V		
		Note: Closes when power fails	M4410E1510	
			M4410K1515	
			M4410C4000	
			M4410C4500	
			M4410C4540	
			M4410L4000 M4410L4500 M4410L4540	
	M7410E	Actuator: 8 mm stroke, 180 N, 0/2 - 10 V, modulating		
		Note: To ensure compatibility the actuator pointer needs to be removed. (see picture "Remove actuator pointer" in chapter "Compatible actuators")	M7410E1002	
	M6410	Actuator: 6.5 mm stroke, 180 N, 3-point, floating		
		Manual override	24 V AC	M6410C2023
		Manual override, 2 auxiliary switches	24 V AC	M6410C4029
		Manual override	230 V AC	M6410L2023
	Manual override, 2 auxiliary switches	230 V AC	M6410L4029	

	M7410C	Actuator: 6.5 mm stroke, 180 N, 3-point / floating		
			24 V AC	M7410C1007
	M100	Actuator: 4.0 mm stroke, 90 N, on/off, thermoelectric		
				M100-BO
				M100-BG
				M100-AO
				M100-AG
				M100-BOX
				M100-BGX
				M100-AOX
			M100-AGX	
	VM242A	BasicMes-2 handheld measuring computer		
		Computer is supplied with case and accessories	for all sizes	VM242A0101
	V2511A	Draining valve		
		Note: Available from June 2023.		
			DN15 - DN25 DN32 - DN50	V2511A002 V2511A009
	VS2600	Spare set of 2 pressure test cocks G¹/₄"		
			for all sizes	VS2600C001
	V2511A	Insulation shell		
			DN15 - DN25 DN32 - DN40	V2511A001 V2511A010
	V2511A	Measuring adapter with heat sink		
		Note: Available from June 2023.		
			DN15	V2511A003
			DN15 NPT	V2511A004
			DN20	V2511A005
			DN20 NPT	V2511A006
			DN25	V2511A007
			DN25 NPT	V2511A008
			DN32	V2511A011
			DN32 NPT	V2511A012
			DN40	V2511A013
			DN40 NPT	V2511A014
			DN50	V2511A015
			DN50 NPT	V2511A016

resideo

Ademco 1 GmbH, Hardhofweg 40,
74821 MOSBACH, GERMANY
Phone: +49 6261 810

Manufactured for and on behalf of
Pittway Sàrl, Z.A., La Pièce 6,
1180 Rolle, Switzerland

Subject to change. EN0H-2150GE23 R0223
© 2023 Resideo Technologies, Inc.
All rights reserved.

For more information
resideo.com

This document contains proprietary information of Pittway Sàrl and its affiliated companies and is protected by copyright and other international laws. Reproduction or improper use without specific written authorization of Pittway Sàrl is strictly forbidden.