

## Wilo-Star RS, RSD



**en** Installation and operating instructions  
**fr** Notice de montage et de mise en service  
**es** Instrucciones de instalación y funcionamiento

**ru** Инструкция по монтажу и эксплуатации  
**uk** Інструкція з монтажу та експлуатації  
**sr** Uputstvo za ugradnju i upotrebu

Fig. 1:

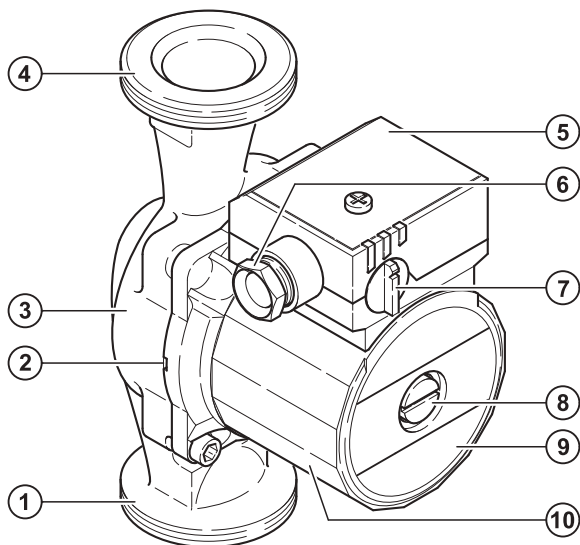


Fig. 2:

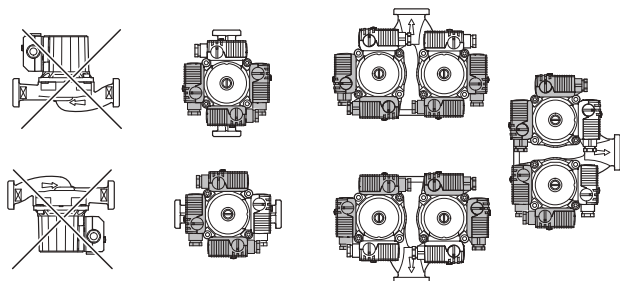


Fig. 3:

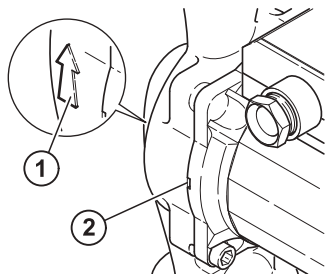


Fig. 4:

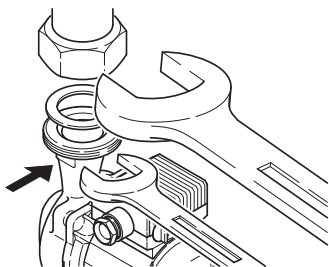


Fig. 5:

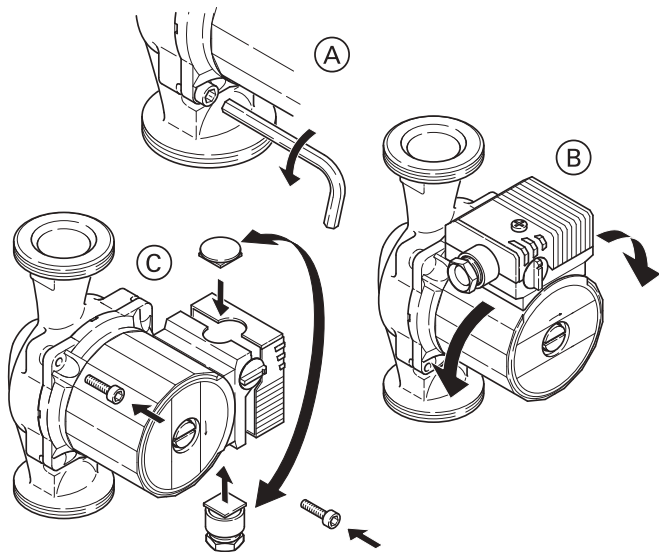


Fig. 6:

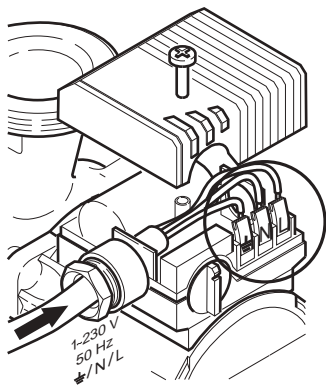


Fig. 6a:

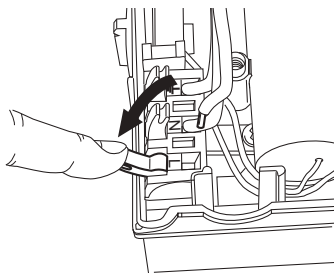


Fig. 6b:

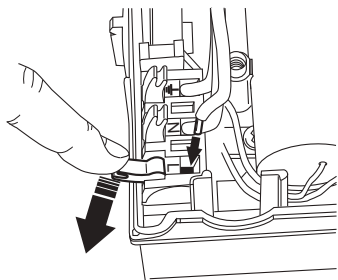


Fig. 6c:

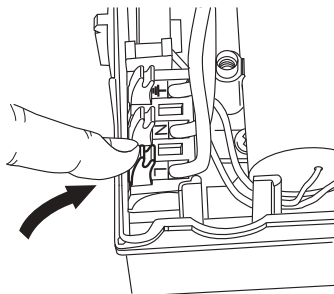


Fig. 7:

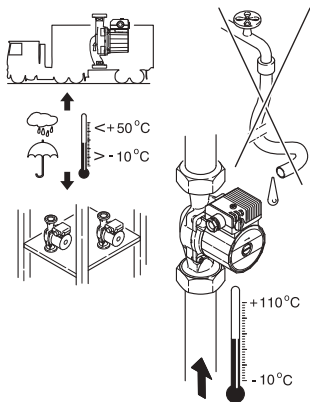


Fig. 8:

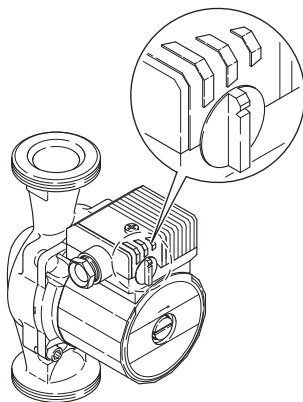
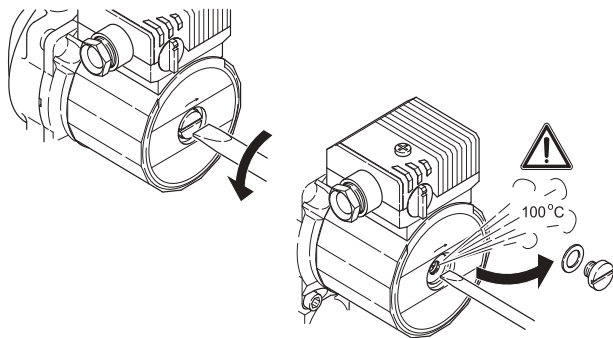


Fig. 9:





<b>en</b>	Installation and operating instructions	3
<b>fr</b>	Notice de montage et de mise en service	19
<b>es</b>	Instrucciones de instalación y funcionamiento	35
<b>ru</b>	Инструкция по монтажу и эксплуатации	53
<b>uk</b>	Інструкція з монтажу та експлуатації	73
<b>sr</b>	Uputstvo za ugradnju i upotrebu	91





## 1 General

### About this document

The language of the original operating instructions is German. All other languages of these instructions are translations of the original operating instructions.

These installation and operating instructions are an integral part of the product. They must be kept readily available at the place where the product is installed. Strict adherence to these instructions is a precondition for the proper use and correct operation of the product.

The installation and operating instructions correspond to the relevant version of the product and the underlying safety regulations and standards valid at the time of going to print.

## 2 Safety

These operating instructions contain basic information which must be adhered to during installation, operation and maintenance. For this reason, these operating instructions must, without fail, be read by the service technician and the responsible specialist/operator before installation and commissioning.

It is not only the general safety instructions listed under the main point "safety" that must be adhered to but also the special safety instructions with danger symbols included under the following main points.

## 2.1 Indication of instructions in the operating instructions

**Symbols:**

**General danger symbol**



**Danger due to electrical voltage**



**Note:**



**Signal words:**

**DANGER!**

**Acutely dangerous situation.**

**Non-observance results in death or the most serious of injuries.**

**WARNING!**

**The user can suffer (serious) injuries. "Warning" implies that (serious) injury to persons is probable if this note is disregarded.**

**CAUTION!**

**There is a risk of damaging the product/unit. "Caution" concerns possible damage to the product that could occur if this note is disregarded.**

Note: Useful information on handling the product. It draws attention to possible problems.

Information that appears directly on the product, such as

- direction of rotation arrow
- identification for connections
- rating plate
- warning sticker

must be strictly complied with and kept in legible condition.

## **2.2 Personnel qualifications**

The installation, operating and maintenance personnel must have the appropriate qualifications for this work. Area of responsibility, terms of reference and monitoring of the personnel are to be ensured by the operator. If the personnel are not in possession of the necessary knowledge, they are to be trained and instructed. This can be accomplished if necessary by the manufacturer of the product at the request of the operator.

## **2.3 Danger in the event of non-observance of the safety instructions**

Non-observance of the safety instructions can result in risk of injury to persons and damage to the environment and the product/unit. Non-observance of the safety instructions results in the loss of any claims to damages.

In detail, non-observance can, for example, result in the following risks:

- Danger to persons from electrical, mechanical and bacteriological influences
- Damage to the environment due to leakage of hazardous materials
- Property damage
- Failure of important product/unit functions
- Failure of required maintenance and repair procedures.

## **2.4 Safety consciousness on the job**

The safety instructions included in these installation and operating instructions, the existing national regulations for accident prevention together with any internal working, operating and safety regulations of the operator are to be complied with.

## 2.5 Safety instructions for the operator

This appliance is not intended for use by persons (including children) with reduced physical, sensory or mental capabilities, or lack of experience and knowledge, unless they have been given supervision or instruction concerning use of the appliance by a person responsible for their safety.

Children should be supervised to ensure that they do not play with the appliance.

- If hot or cold components on the product/the unit lead to hazards, local measures must be taken to guard them against touching.
- Guards protecting against touching moving components (such as the coupling) must not be removed whilst the product is in operation.
- Leakages (e.g. from the shaft seals) of hazardous fluids (which are explosive, toxic or hot) must be led away so that no danger to persons or to the environment arises. National statutory provisions are to be complied with.
- Danger from electrical current must be eliminated. Local directives or general directives [e.g. IEC, VDE etc.] and local energy supply companies must be adhered to.

## **2.6 Safety instructions for installation and maintenance work**

The operator must ensure that all installation and maintenance work is carried out by authorised and qualified personnel, who are sufficiently informed due to their own detailed study of the installation and operating instructions.

Work to the product/unit must only be carried out when at a standstill. It is mandatory that the procedure described in the installation and operating instructions for shutting down the product/unit be complied with.

Immediately on conclusion of the work, all safety and protective devices must be put back in position and/or recommissioned.

## **2.7 Unauthorised modification and manufacture of spare parts**

Unauthorised modification and manufacture of spare parts will impair the safety of the product/personnel and will make void the manufacturer's declarations regarding safety.

Modifications to the product are only permissible after consultation with the manufacturer. Original spare parts and accessories authorised by the manufacturer ensure safety. The use of other parts will absolve us of liability for consequential events.

## **2.8 Improper use**

The operating safety of the supplied product is only guaranteed for conventional use in accordance with Section 4 of the operating instructions. The limit values must on no account fall under or exceed those specified in the catalogue/data sheet.

### 3 Transport and interim storage

Immediately after receiving the product:

- Check the product for damage in transit
- In the event of damage in transit, take the necessary steps with the forwarding agent within the respective time limits.



**CAUTION! Risk of damage to property!**

**Incorrect transport and interim storage can cause damage to the product (Fig. 7).**

- **The pump should be protected from moisture, frost and mechanical damage due to impact during transport and interim storage.**
- **The pump must not be exposed to temperatures outside the range of -10 °C to +50 °C.**

### 4 Intended use

The circulation pumps in the Wilo-Star RS series are designed for hot-water heating systems and similar systems with constantly changing volume flows.

Approved fluids are heating water in accordance with VDI 2035, water/glycol mixture at a mixing ratio of max. 1:1. If glycol is added, the delivery data of the pump must be corrected according to the higher viscosity, depending on the mixing ratio percentage.

Only use brand-name goods with corrosion protection inhibitors and observe the manufacturer's specifications. WILO's approval is necessary for the use of other fluids.

Intended use also includes following these instructions. Any other use is not regarded as intended use.

## 5 Product information

### 5.1 Type key

#### Example: Wilo-Star-RS 25/4

Star-RS	RS = heating circulation pump, glandless pump RSD = double heating circulation pump, glandless pump
25	Screwed connection 15, (Rp ½), 25 (Rp1), 30 (Rp1 ½)
/4	4 = maximum delivery head in m at Q = 0 m³/h

### 5.2 Technical data

Connection voltage	1 ~ 230 V ± 10 %
Mains frequency	50 Hz
Protection class IP	See rating plate
Max. motor speed	See rating plate
Water temperatures at max. ambient temperature of +40 °C	-10 °C to +110 °C
Max. ambient temperature	+40 °C
Max. operating pressure	10 bar (1000 kPa)
Minimum inlet pressure <sup>1)</sup> at +50 °C/+95 °C/+110 °C	0.05 bar / 0.3 bar / 1.0 bar (5 kPa / 30 kPa / 100 kPa)
Port-to-port length	130 mm / 180 mm
Variable speed control <sup>2)</sup>	3 stages

<sup>1)</sup> The values apply up to 300 m above sea level; Addition for higher altitudes: 0.01 bar/100 m increase in height. To prevent cavitation noises, be sure to maintain the minimum inlet pressure at the suction port of the pump.

<sup>2)</sup> For Star-RSD double pumps, a switchgear is required in addition for time-dependent main/standby or parallel/peak-load operation.

### 5.3 Scope of delivery

- Complete circulation pump
- 2 flat gaskets
- Installation and operating instructions

#### **5.4 Accessories**

Accessories must be ordered separately:

- Thermal insulation shell
  - Screwed connections
- See catalogue for detailed list.

## **6 Description and function**

### **6.1 Description of the product**

The pump (Fig. 1) consists of a hydraulic system, a glandless pump motor with terminal box. All the rotating parts in the glandless pump are in contact with the fluid, this is also true for the motor rotor. A shaft sealing, which is subject to wear, is not necessary. The fluid lubricates the slide bearings and cools the bearing and the rotor. Motor protection is not necessary. Even the maximum overload current cannot damage the motor. The motor is blocking-current proof.

#### **Terms (Fig. 1):**

1. Suction port
2. Condensate drain
3. Pump housing
4. Pressure port
5. Terminal box
6. Cable feed-in
7. Speed switch
8. Venting
9. Rating plate
10. Motor housing



## 6.2 Function of the product

### Variable speed control (Fig. 8)

The pump's speed is switched in three stages using a rotary knob. The speed in the smallest stage is approx. 40 to 50 % of the maximum speed with a reduction of the current consumption to 50 %.

### Special pump features

For a double pump, the two motor impeller units are fitted identically and are mounted in a common pump housing with integrated switchover valve.

Each pump can run individually, but both pumps can also run at the same time in parallel operation. The operating modes are main/standby or parallel/peak-load operation. The individual units can be configured for different capacities. With the double pump, a system can be adapted to individual operating situations. It is necessary to connect a corresponding switchgear for switching-over in order to control the different operating modes.

## 7 Installation and electrical connection



### **DANGER! Risk of fatal injury!**

**Improper installation and electrical connection can result in fatal injury.**

- **Installation and electrical connection may only be carried out by qualified personnel and in accordance with the applicable regulations.**
- **Adhere to regulations for accident prevention**

## 7.1 Installation

- Only install the pump after all welding and soldering work has been completed and, if necessary, the pipe system has been flushed through.
- Install the pump in a readily accessible place for easy inspection and dismantling.
- When installing in the feed of open systems, the safety supply must branch off upstream of the pump (DIN EN 12828).
- Install check valves upstream and downstream of the pump to facilitate a possible pump replacement.
  - Perform installation so that any leaking water cannot drip onto the control module.
  - To do this, align the upper gate valve laterally.
- In thermal insulation work, make sure that the pump motor and the module are not insulated. The condensate–drain openings must remain uncovered (Fig. 3, item 2).
- Install with the power switched off and the pump motor in a horizontal position. See Fig. 2 for installation positions of the pump.
- Direction arrows on the pump housing and the thermal insulation shell (accessories) indicate the direction of flow (Fig. 3, item 1).
- Use an open–end wrench to prevent the pump from twisting (Fig. 4).
- The motor housing can be twisted after undoing the motor attachment screws if it is necessary to position the terminal box (Fig. 5).



Note: Generally, turn the motor head before the system is filled. When turning the motor head in an installation which is already filled, do not pull the motor head out of the pump housing. Turn the motor head with a small amount of pressure on the motor unit so that no water can come out of the pump.



**CAUTION! Risk of damage to property!**

The gasket may be damaged when the motor housing is turned. Replace defective gaskets immediately:  
 $\varnothing 86 \times \varnothing 76 \times 2.0$  mm EP.

## 7.2 Electrical connection



**DANGER! Risk of fatal injury!**

A fatal shock may occur if the electrical connection is not made correctly.

- **Only allow the electrical connection to be made by an electrician approved by the local power supply company and in accordance with the local regulations in force.**
- **Disconnect the power supply before any work.**
- The current type and voltage must correspond to the details on the rating plate.
- The electrical connection must be made in accordance with VDE 0700/part 1 via a fixed connected load. The latter is provided with a plug device or an all-pole switch with a contact opening width of at least 3 mm.
- To ensure drip protection and strain relief at the PG screwed connection, a connected load with an adequate outer diameter is necessary (e.g. H05VV-F3G1.5).
- When pumps are used in systems with water temperatures above 90°C, a suitably heat-resistant connected load must be installed.
- The connected load is to be installed in such a way that it can under no circumstances come into contact with the piping and/or the pump and motor housing.
- Make the mains connection according to Fig. 6.
- The connection cable can be taken through the cable feed-in right or left. Exchange dummy plugs and cable feed-in as necessary. When the terminal box is positioned laterally, always arrange the cable feed-in from below (Fig. 5).



**CAUTION! Risk of short circuit!**

**Once electrical connection is complete and in order to protect the terminal box from moisture, the terminal box cover must be sealed according to regulations.**

- Earth the pump/system according to regulations.
- When connecting automatic switchgears (for double pumps), observe the relevant installation and operating instructions.



Note: Double pumps: Provide a separate power cable and a separate fuse on the mains side for both motors of the double pump.

## 8 Commissioning



**WARNING! Risk of injury and damage to property!**

**Incorrect commissioning can lead to injuries to persons and damage to property.**

- **Commissioning by qualified personnel only!**
- **Depending on the operating status of the pump or system (fluid temperature), the entire pump can become very hot. Touching the pump can cause burns!**

### 8.1 Filling and bleeding

Fill and bleed the system correctly.

It is necessary to vent the pump if, for example, the radiators remain cold although the heating and pump are running. The pump does not pump any water if there is air in the pump room. The pump rotor compartment is vented automatically after a short operating period. Dry running for short periods will not harm the pump.

Please proceed as follows if it is necessary to vent the rotor room:

- Switch off the pump.



**WARNING! Danger of personal injury!**  
**Depending on the operating status of the pump or system (fluid temperature), the entire pump can become very hot. Touching the pump can cause burns!**

- Close the check valve on the pressure side piping.



**WARNING! Danger of personal injury!**  
**Depending on the temperature of the fluid and system pressure, when the venting screw is opened, hot liquid or gaseous fluid may escape or shoot out at high pressure. Escaping fluid can cause scalding!**

- Undo the venting screw carefully with a suitable screwdriver and unscrew it completely (Fig. 9).
- Carefully push back the pump shaft with a screwdriver several times.
- Protect electrical parts from any escaping water.
- Switch on the pump.



Note: The pump may jam if the venting screw is undone, depending on the operating pressure level.

- Screw the venting screw back in again after 15 to 30 seconds.
- Open the check valve again.

## 8.2 Variable speed control

If rooms cannot be heated sufficiently, the speed of the pump may be too low. It is then necessary to switch over to a higher speed. If, on the other hand, the pump is set to a speed which is too high, flow noises are created in the lines and in particular at throttled thermostatic valves. They can be resolved by switching to a lower speed. A rotary knob on the terminal box is used to switch over to a different speed stage. The small marking indicates the lowest, and the large marking indicates the highest speed (Fig. 8).



Note: If on a double pump both the individual pumps are in operation at the same time, the pre-selected speeds must be identical for both pumps.

## 9 Maintenance



**DANGER! Risk of fatal injury!**

**A fatal shock may occur when working on electrical equipment.**

- **The pump should be electrically isolated and secured against unauthorised switch-on during any maintenance or repair work.**
- **Any damage to the connection cable should always be rectified by a qualified electrician only.**

After successful maintenance and repair work, install and connect the pump according to the “Installation and electrical connection” chapter. Switch on the pump according to the “Commissioning” chapter.

## 10 Faults, causes and remedies

**Only have faults remedied by qualified personnel.**

**Observe the safety instructions in chapter 9!**

Faults	Causes	Remedy
Pump is not running although the power supply is switched on.	Electrical fuse defective.	Check fuses.
	Pump has no voltage.	Check the voltage on the pump. (Observe the rating plate) Restore power after interruption
	Condenser defective	Check condenser (Observe rating plate) Replace condenser
	Motor is blocked, e.g. by deposits from the heating water	Unscrew the venting screw completely and check the ease of movement of the pump rotor or make it easy to move by turning the slotted end of the shaft with a screwdriver (Fig. 9). Attention! Close the check valves upstream and downstream to the pump at high water temperatures and system pressures. Allow the pump to cool down beforehand.
Pump is making noises.	Cavitation due to insufficient suction pressure.	Increase the system suction pressure within the permissible range.
		Check the speed setting and switch to a lower speed as necessary.

**If the fault cannot be remedied, please consult the specialist technician or the Wilo factory after-sales service.**

## 11 Spare parts

Spare parts are ordered via local specialist retailers and/or Wilo customer service.

In order to avoid further inquiries and incorrect orders, all data on the rating plate should be specified for each order.

## 12 Disposal

Damage to the environment and risks to personal health are avoided by the proper disposal and appropriate recycling of this product.

1. Use public or private disposal organisations when disposing of the entire product or part of the product.
2. For more information on proper disposal, please contact your local council or waste disposal office or the supplier from whom you obtained the product.



Note: The pump must not be disposed of along with household waste! Further information on recycling can be found at [www.wilo-recycling.com](http://www.wilo-recycling.com)

**Subject to change without prior notice!**



## 1 Généralités

### A propos de ce document

La langue de la notice de montage et de mise en service d'origine est l'allemand. Toutes les autres langues de la présente notice sont une traduction de la notice de montage et de mise en service d'origine.

La notice de montage et de mise en service fait partie intégrante du matériel et doit être disponible en permanence à proximité du produit. Le strict respect de ces instructions est une condition nécessaire à l'installation et à l'utilisation conformes du produit.

La rédaction de la notice de montage et de mise en service correspond à la version du produit, aux prescriptions et aux normes de sécurité en vigueur à la date de son impression.

## 2 Sécurité

Ce manuel renferme des consignes essentielles qui doivent être respectées lors du montage, du fonctionnement et de l'entretien. Ainsi, il est indispensable que l'installateur et le personnel qualifié/l'opérateur du produit en prennent connaissance avant de procéder au montage et à la mise en service.

Les consignes à respecter ne sont pas uniquement celles de sécurité générale de ce chapitre, mais aussi celles de sécurité particulière qui figurent dans les chapitres suivants, accompagnées d'un symbole de danger.

## 2.1 Signalisation des consignes de la notice

**Symboles :**

**Symbole général de danger**



**Consignes relatives aux risques électriques**



Remarque:



**Signaux :**

**DANGER !**

**Situation extrêmement dangereuse.**

**Le non-respect entraîne la mort ou des blessures graves.**

**AVERTISSEMENT !**

**L'utilisateur peut souffrir de blessures (graves).**

**« Avertissement » implique que des dommages corporels (graves) sont vraisemblables lorsque la consigne n'est pas respectée.**

**ATTENTION !**

**Il existe un risque d'endommager le produit/l'installation.**

**« Attention » signale une consigne dont la non-observation peut engendrer un dommage pour le matériel et son fonctionnement.**

REMARQUE: Remarque utile sur le maniement du produit. Elle fait remarquer les difficultés éventuelles.

Les indications directement appliquées sur le produit comme p. ex.

- les flèches indiquant le sens de rotation,
  - les marques d'identification des raccordements,
  - la plaque signalétique,
  - les autocollants d'avertissement,
- doivent être impérativement respectées et maintenues dans un état bien lisible.

## 2.2 Qualification du personnel

Il convient de veiller à la qualification du personnel amené à réaliser le montage, l'utilisation et l'entretien. L'opérateur doit assurer le domaine de responsabilité, la compétence et la surveillance du personnel. Si le personnel ne dispose pas des connaissances requises, il doit alors être formé et instruit en conséquence. Cette formation peut être dispensée, si nécessaire, par le fabricant du produit pour le compte de l'opérateur.

## 2.3 Dangers encourus en cas de non-observation des consignes

La non-observation des consignes de sécurité peut constituer un danger pour les personnes, l'environnement et le produit/l'installation. Elle entraîne également la suspension de tout recours en garantie.

Plus précisément, les dangers peuvent être les suivants :

- dangers pour les personnes par influences électriques, mécaniques ou bactériologiques,
- dangers pour l'environnement par fuite de matières dangereuses,
- dommages matériels,
- défaillance de fonctions importantes du produit ou de l'installation,
- défaillance du processus d'entretien et de réparation prescrit.

## 2.4 Travaux dans le respect de la sécurité

Les consignes de sécurité énoncées dans cette notice de montage et de mise en service, les règlements nationaux existants de prévention des accidents et les éventuelles consignes de travail, de fonctionnement et de sécurité internes de l'opérateur doivent être respectés.

## 2.5 Consignes de sécurité pour l'utilisateur

Cet appareil n'est pas prévu pour être utilisé par des personnes (y compris des enfants) dont les capacités physiques, sensorielles ou mentales sont réduites, ou des personnes dénuées d'expérience ou de connaissance, sauf si elles ont pu bénéficier, par l'intermédiaire d'une personne responsable de leur sécurité, d'une surveillance ou d'instructions préalables concernant l'utilisation de l'appareil.

Il convient de surveiller les enfants pour s'assurer qu'ils ne jouent pas avec l'appareil.

- Si des composants chauds ou froids induisent des dangers sur le produit ou l'installation, il incombe alors au client de protéger ces composants afin d'éviter tout contact.
- Une protection de contact pour des composants en mouvement (p. ex. accouplement) ne doit pas être retirée du produit en fonctionnement.
- Des fuites (p. ex. joint d'arbre) de fluides véhiculés dangereux (p. ex. explosifs, toxiques, chauds) doivent être éliminées de telle façon qu'il n'y ait aucun risque pour les personnes et l'environnement. Les dispositions nationales légales doivent être respectées.
- Il y a également lieu d'exclure tout danger lié à l'énergie électrique. On se conformera aux dispositions de la réglementation locale ou générale [IEC, VDE, etc.], ainsi qu'aux prescriptions de l'entreprise qui fournit l'énergie électrique.

## **2.6 Consignes de sécurité pour les travaux de montage et d'entretien**

L'exploitant doit faire réaliser les travaux de montage et d'entretien par une personne spécialisée qualifiée ayant pris connaissance du contenu de la notice.

Les travaux réalisés sur le produit ou l'installation ne doivent avoir lieu que si les appareillages correspondants sont à l'arrêt. Les procédures décrites dans la notice de montage et de mise en service pour l'arrêt du produit/de l'installation doivent être impérativement respectées.

Tous les dispositifs de sécurité et de protection doivent être remis en place et en service immédiatement après l'achèvement des travaux.

## **2.7 Modification du matériel et utilisation de pièces détachées non agréées**

La modification du matériel et l'utilisation de pièces détachées non agréées compromettent la sécurité du produit/du personnel et rendent caduques les explications données par le fabricant concernant la sécurité.

Toute modification du produit ne peut être effectuée que moyennant l'autorisation préalable du fabricant. L'utilisation de pièces détachées d'origine et d'accessoires autorisés par le fabricant garantit la sécurité. L'utilisation d'autres pièces dégage la société de toute responsabilité.

## **2.8 Modes d'utilisation non autorisés**

La sécurité de fonctionnement du produit livré n'est garantie que si les prescriptions précisées au chap. 4 de la notice de montage et de mise en service sont respectées. Les valeurs indiquées dans le catalogue ou la fiche technique ne doivent en aucun cas être dépassées, tant en maximum qu'en minimum.

### 3 Transport et entreposage

Dès la réception du produit :

- Contrôler les dommages dus au transport.
- En cas de dommages dus au transport, entreprendre les démarches nécessaires auprès du transporteur dans les délais impartis.



**ATTENTION ! Risque de dommages matériels !**

**Un transport et un entreposage incorrects peuvent provoquer des dommages matériels sur le produit (fig. 7).**

- **Lors du transport et de l'entreposage, la pompe doit être protégée contre l'humidité, le gel et les dommages mécaniques dus aux chocs/impacts.**
- **La pompe ne doit en aucun cas être exposée à des températures situées en dehors de plages comprises entre  $-10\text{ }^{\circ}\text{C}$  à  $+50\text{ }^{\circ}\text{C}$ .**

### 4 Applications

Les pompes de circulation de la série Wilo-Star RS sont conçues pour des installations de chauffage à l'eau chaude et autres systèmes similaires dont les débits de pompage varient constamment.

Les fluides autorisés sont l'eau de chauffage conformément aux exigences de la norme VDI 2035, les mélanges eau/glycol avec un rapport maximum de 1:1. Lors du mélange de glycol, il convient de corriger les données de refoulement de la pompe conformément à la viscosité élevée, en fonction du rapport de mélange en pourcentage.

N'utiliser que des inhibiteurs de protection anticorrosion de marque, observer les indications des fabricants. En cas d'utilisation d'autres fluides, l'accord préalable de WILO est nécessaire. L'utilisation conforme du produit comprend également le respect de la présente notice.

Toute autre utilisation est considérée comme non conforme à l'usage prévu.

## 5 Informations produit

### 5.1 Dénomination

Exemple : Wilo Star RS 25/4	
Star-RS	RS = pompe de circulation pour le chauffage, pompe à rotor noyé RSD = pompe double de circulation pour le chauffage, pompe à rotor noyé
25	Raccord fileté 15, (Rp ½), 25 (Rp1), 30 (Rp1 ½)
/4	4 = hauteur manométrique maximale en m avec Q = 0 m <sup>3</sup> /h

### 5.2 Caractéristiques techniques

Tension d'alimentation	1~230 V ± 10 %
Fréquence du réseau	50 Hz
Classe de protection IP	Voir plaque signalétique
Vitesse du moteur max.	Voir plaque signalétique
Plage de température de l'eau à température ambiante max. +40 °C	-10 °C à +110 °C
Température ambiante max.	+40 °C
Pression de service max.	10 bars (1 000 kPa)
Pression d'alimentation minimale <sup>1)</sup> à +50 °C/+95 °C/+110 °C	0,05 bar/0,3 bar/1,0 bar (5 kPa/30 kPa/100 kPa)
Longueur de construction	130 mm/180 mm
Modification de la vitesse <sup>2)</sup>	3 vitesses

<sup>1)</sup> Les valeurs sont valables jusqu'à 300 m au-dessus du niveau de la mer ; supplément pour sites plus élevés : 0,01 bar/100 m supplémentaires. Pour éviter les bruits dus à la cavitation, il convient de respecter la pression d'alimentation minimale au niveau de la tubulure d'aspiration de la pompe !

<sup>2)</sup> Les pompes doubles Star-RSD requièrent en outre un coffret de commande pour les modes de fonctionnement en fonction du temps, tels que les fonctionnements principal/de réserve ou parallèle/d'appoint.

### 5.3 Etendue de la fourniture

- Pompe de circulation complète
- 2 garnitures plates
- Notice de montage et de mise en service

#### 5.4 Accessoires

Les accessoires doivent être commandés séparément :

- Coquille d'isolation thermique
  - Raccords filetés
- Pour la liste détaillée, consulter le catalogue.

## 6 Description et fonctionnement

### 6.1 Description du produit

La pompe (fig. 1) se compose d'un système hydraulique et d'un moteur à rotor noyé avec boîte à bornes. Dans la pompe à rotor noyé, le fluide circule dans toutes les pièces en rotation et même dans le rotor du moteur. La mise en place d'un dispositif d'étanchéité d'arbre, assujéti à l'usure, n'est pas nécessaire. Le fluide lubrifie les paliers lisses et refroidit les paliers et le rotor. Une protection moteur n'est pas nécessaire. Même le courant de surcharge maximal ne peut pas endommager le moteur. Le moteur est auto-protégé.

#### Terminologie (Fig. 1) :

1. Tubulure d'aspiration
2. Evacuation des condensats
3. Corps de pompe
4. Tubulure de refoulement
5. Boîte à bornes
6. Guide-câble
7. Commutateur de vitesse
8. Dégazage
9. Plaque signalétique
10. Carter de moteur



## 6.2 Fonctionnement du produit

### Modification de la vitesse (fig. 8)

Les trois vitesses de rotation de la pompe peuvent être modulées grâce à un bouton tournant. La plus petite vitesse est de 40 à 50 % inférieure à la vitesse maximale, ce qui réduit la consommation de 50 % environ.

### Particularités des pompes

Dans le cas d'une pompe double, les deux kits embrochables sont construits de façon identique et montés dans un même corps de pompe avec volet directionnel intégré. Chaque pompe peut fonctionner en marche individuelle ou les deux pompes peuvent fonctionner en parallèle. Les modes de fonctionnement sont les fonctionnements principal/de réserve ou parallèle/d'appoint. Les groupes individuels sont conçus pour différentes puissances. Avec une pompe double, une installation peut être ainsi adaptée aux conditions de fonctionnement individuelles. La commande des différents modes de fonctionnement requiert le raccordement d'un coffret de commande correspondant pour la commutation.

## 7 Montage et raccordement électrique



**DANGER ! Danger de mort !**

**Un montage et un raccordement électrique non conformes peuvent avoir des conséquences mortelles.**

- **Le montage et le raccordement électrique doivent être exécutés uniquement par des techniciens qualifiés et conformément aux prescriptions en vigueur !**
- **Observer les consignes de prévention des accidents**

## 7.1 Montage

- Le montage de la pompe exige l'exécution préalable de tous les travaux de soudage et de brasage et le nettoyage obligatoire du système de tuyauterie.
- Installer la pompe à un endroit facilement accessible afin de faciliter les inspections ou le démontage.
- En cas de montage sur le conduit d'alimentation d'une installation en circuit ouvert, le piquage du conduit d'aspiration de sécurité doit être installé en amont de la pompe (DIN EN 12828).
- Installer des vannes d'arrêt en amont et en aval de la pompe afin de faciliter un éventuel remplacement de la pompe.
  - Réaliser le montage de sorte que d'éventuelles fuites d'eau ne puissent couler sur le module de régulation.
  - Pour ce faire, orienter latéralement la vanne d'arrêt supérieure.
- Lors des travaux d'isolation thermique, veiller à ce que ni le moteur de la pompe ni le module ne soient isolés. Les orifices d'évacuation des condensats doivent être libres (fig. 3, pos. 2).
- Réaliser un montage exempt de contraintes mécaniques avec le moteur de pompe positionné horizontalement. Positions de montage pour la pompe, voir fig. 2.
- Les flèches de direction situées sur le corps de pompe et la coquille d'isolation thermique (accessoires) indiquent le sens d'écoulement (fig. 3, pos. 1).
- Bloquer la pompe à l'aide d'une clé à fourche contre toute torsion (fig. 4).
- Pour un positionnement nécessaire de la boîte à bornes, le carter de moteur peut être tourné après le desserrage des vis de fixation du moteur (fig. 5).



REMARQUE: Faire systématiquement pivoter la tête du moteur avant que l'installation ne soit remplie. Lors du pivotement de la tête du moteur d'une installation déjà remplie, ne pas extraire la tête du moteur du corps de pompe. En exerçant une légère pression sur l'unité moteur, faire pivoter la tête du moteur, afin que l'eau ne puisse pas s'échapper de la pompe.



### **ATTENTION ! Risque de dommages matériels !**

Lors de la rotation du carter de moteur, le joint est susceptible d'être endommagé. Remplacer immédiatement les joints défectueux :  $\varnothing$  86 x  $\varnothing$  76 x 2.0 mm EP.

## 7.2 Raccordement électrique



### **DANGER ! Danger de mort !**

En cas de raccordement électrique non conforme, il existe un danger de mort par choc électrique.

- **Faire effectuer le raccordement électrique uniquement par des installateurs électriques agréés par le fournisseur d'énergie électrique local et conformément aux prescriptions locales en vigueur.**
- **Couper l'alimentation électrique avant tous les travaux.**
- La nature du courant et la tension doivent coïncider avec les indications de la plaque signalétique.
- Le raccordement électrique doit être effectué selon la norme VDE 0700/partie 1 via une ligne de raccordement fixe pourvue d'un commutateur ou d'un interrupteur multipolaire d'au moins 3 mm d'ouverture de contact.
- Pour la protection contre les gouttes d'eau et la décharge de traction au niveau du presse-étoupe PG, une ligne de raccordement d'un diamètre extérieur suffisant est nécessaire (p. ex. H05VV-F3G1,5).
- Lors de l'utilisation des pompes dans des installations dont la température d'eau est supérieure à 90 °C, une ligne de raccordement résistante à la chaleur doit être posée.
- La ligne de raccordement doit être posée de façon à ne jamais entrer en contact avec la tuyauterie et/ou avec le corps de pompe et le carter de moteur.
- Exécuter l'alimentation réseau conformément à la fig. 6.

- Le câble de raccordement peut être acheminé, au choix, soit par la gauche soit par la droite via le guide-câble. Le tampon borgne et le guide-câble doivent être remplacés si nécessaire. En cas de positionnement latéral de la boîte à bornes, toujours introduire le guide-câble par le bas (fig. 5).



**ATTENTION ! Risque de court-circuit !**

**Après chaque raccordement électrique, refermer le capot de la boîte à bornes conformément aux prescriptions, afin d'éviter toute humidité.**

- Mettre la pompe/l'installation à la terre conformément aux prescriptions.
- Respecter la notice de montage et de mise en service correspondante lors du raccord des coffrets de commande (pour pompes doubles) à fonctionnement automatique.



REMARQUE: Pompes doubles : Equiper les deux moteurs de la pompe double d'une ligne de raccordement au réseau séparée pouvant être mise hors tension et d'une protection par fusible séparée côté réseau.

## 8 Mise en service



**AVERTISSEMENT ! Risque de dommages corporels et matériels !**

**Une mise en service non effectuée dans les règles peut conduire à des dommages corporels et matériels.**

- **Mise en service uniquement par du personnel spécialisé qualifié !**
- **Selon l'état de fonctionnement de la pompe ou de l'installation (température du fluide), toute la pompe peut devenir très chaude. Risque de brûlure en cas de contact avec la pompe !**

## 8.1 Remplissage et dégazage

Remplir et dégazer l'installation de manière correcte.

Il convient de purger la pompe p. ex lorsque les radiateurs restent froids en dépit du bon fonctionnement du chauffage et de la pompe. S'il y a de l'air dans le local à pompes, la pompe ne refoule pas de l'eau.

Un dégazage de la chambre du rotor de la pompe s'effectue automatiquement après une courte durée de fonctionnement. Un fonctionnement à sec de courte durée n'endommage pas la pompe.

Si le dégazage de la chambre du rotor est nécessaire, procéder alors de la manière suivante :

- Arrêter la pompe.



**AVERTISSEMENT ! Risque de blessures corporelles ! Selon l'état de fonctionnement de la pompe ou de l'installation (température du fluide), toute la pompe peut devenir très chaude. Risque de brûlure en cas de contact avec la pompe !**

- Fermer la vanne d'arrêt de la tuyauterie, côté refoulement.



**AVERTISSEMENT ! Risque de blessures corporelles ! En fonction de la température du fluide et de la pression système, du fluide chaud peut s'échapper sous forme liquide ou gazeuse, voire être projeté sous haute pression, lors de l'ouverture du bouchon de purge d'air. Il existe un risque d'échaudure lors de la sortie du fluide !**

- Desserrer prudemment la vis de purge à l'aide d'un tournevis adapté et la retirer entièrement (fig. 9).
- Repousser prudemment l'arbre de la pompe plusieurs fois.
- Protéger les pièces électriques des projections d'eau.
- Enclencher la pompe.



**REMARQUE:** La pompe peut se bloquer si la vis de purge est desserrée en fonction de la hauteur de la pression de service.

- Resserrer la vis après 15 à 30 s.
- Rouvrir la vanne d'arrêt.

## 8.2 Modification de la vitesse

Si les locaux ne sont pas assez chauffés, il est possible que la vitesse de rotation de la pompe soit trop faible. Dans ce cas, il faut alors augmenter la vitesse de rotation de la pompe. Si, à l'inverse, la pompe est réglée sur une vitesse de rotation trop élevée, des bruits d'écoulement se font entendre dans la tuyauterie et en particulier dans les robinets thermostatiques restreints. Pour y remédier, il convient de passer à vitesse de rotation inférieure. Un bouton tournant situé sur la boîte à bornes permet de moduler les vitesses. Le petit marquage représente la vitesse de rotation minimale, le grand marquage la vitesse de rotation maximale (fig. 8).



REMARQUE: Si, pour une pompe double, les deux pompes simples sont simultanément en service, les vitesses de rotation présélectionnées des deux pompes doivent être identiques.

## 9 Entretien



**DANGER ! Danger de mort !**

**En cas de travaux sur les appareils électriques, il y a un danger de mort par choc électrique.**

- **Pour tous les travaux d'entretien et de réparation, il faut mettre la pompe hors tension et la protéger contre toute remise en marche intempestive.**
- **Seul un installateur électrique qualifié est habilité à réparer les câbles de raccordement endommagés.**

Une fois les travaux d'entretien et de réparation effectués, monter et brancher la pompe conformément au chapitre « Montage et raccordement électrique ». La mise en marche de la pompe doit être effectuée selon le chapitre « Mise en service ».

## 10 Pannes, causes et remèdes

**Ne faire effectuer le dépannage que par du personnel qualifié !**

**Observer les consignes de sécurité du chapitre 9 !**

Pannes	Causes	Remède
La pompe ne fonctionne pas alors qu'elle est alimentée en courant.	Fusible électrique défectueux.	Contrôler les fusibles.
	Absence de tension dans la pompe.	Contrôler la tension de la pompe. (Respecter la plaque signalétique) Remédier à la coupure de la tension.
	Condensateur défectueux	Contrôler le condensateur. (Respecter la plaque signalétique) Remplacer le condensateur.
	Le moteur est bloqué, p. ex. en raison de dépôts provenant de l'eau de chauffage.	Dévisser entièrement la vis de purge, contrôler le bon fonctionnement du rotor de la pompe, voire le relancer, en tournant l'extrémité fendue de l'arbre à l'aide d'un tournevis (Fig. 9). ATTENTION ! En cas de températures et pressions système élevées, fermer les vannes d'arrêt en amont et en aval de la pompe. Laisser la pompe refroidir auparavant.
La pompe émet des bruits.	Cavitation provoquée par une pression d'entrée insuffisante	Augmenter la pression d'entrée du système dans la plage admissible.
		Contrôler le réglage de la vitesse et, le cas échéant, passer à une vitesse inférieure.

**S'il s'avère impossible de supprimer la panne, veuillez vous adresser à un artisan spécialisé ou au service après-vente usine de Wilo.**

## 11 Pièces de rechange

La commande de pièces de rechange s'effectue par l'intermédiaire des magasins spécialisés locaux et/ou du service après-vente Wilo.

Afin d'éviter toutes questions ou commandes erronées, indiquer toutes les données de la plaque signalétique lors de chaque commande.

## 12 Elimination

Une élimination réglementaire et un recyclage approprié de ce produit permettent de prévenir les dommages causés à l'environnement et les risques pour la santé.

1. Pour l'élimination du produit et des pièces, faire appel aux sociétés d'élimination de déchets, publiques ou privées.
2. Pour davantage d'informations sur l'élimination appropriée du produit, s'adresser à la municipalité, au service de collecte et de traitement des déchets ou au point de vente où le produit a été acheté.



REMARQUE: La pompe ne va pas dans les déchets ménagers !  
Pour de plus amples informations sur le recyclage, consultez [www.wilo-recycling.com](http://www.wilo-recycling.com)

**Sous réserve de modifications techniques !**



## 1 Generalidades

### Acerca de este documento

El idioma de las instrucciones de funcionamiento originales es el alemán. Las instrucciones en los restantes idiomas son una traducción de las instrucciones de funcionamiento originales.

Las instrucciones de instalación y funcionamiento forman parte del producto y, por lo tanto, deben estar disponibles cerca del mismo en todo momento. Es condición indispensable respetar estas instrucciones para poder hacer un correcto uso del producto de acuerdo con las normativas vigentes.

Las instrucciones de instalación y funcionamiento se aplican al modelo actual del producto y a las versiones de las normativas y reglamentos técnicos de seguridad aplicables en el momento de su publicación.

## 2 Seguridad

Este manual contiene indicaciones básicas que deberán tenerse en cuenta durante la instalación, funcionamiento y mantenimiento del sistema. Por este motivo, el instalador y el personal cualificado/operador responsables deberán leerlo antes de montar y poner en marcha el aparato.

No sólo es preciso respetar las instrucciones generales de seguridad incluidas en este apartado, también se deben respetar las instrucciones especiales de los apartados siguientes que van precedidas por símbolos de peligro.

## 2.1 Identificación de los símbolos e indicaciones utilizados en este manual



**Símbolos:**

**Símbolo general de peligro**



**Peligro por tensión eléctrica**



**Indicación:**

**Palabras identificativas:**

**¡PELIGRO!**

**Situación extremadamente peligrosa.**

**Si no se tienen en cuenta las instrucciones siguientes, se corre el peligro de sufrir lesiones graves o incluso la muerte.**

**¡ADVERTENCIA!**

**El usuario podría sufrir lesiones que podrían incluso ser de cierta gravedad. “Advertencia” implica que es probable que se produzcan daños personales si no se respetan las indicaciones.**

**¡ATENCIÓN!**

**Existe el riesgo de que el producto o el sistema sufran daños. “Atención” hace referencia a que el producto puede resultar dañado si no se respetan las indicaciones.**

**INDICACIÓN:** Información útil para el manejo del producto. También puede indicar la presencia de posibles problemas.

Las indicaciones situadas directamente en el producto, como p. ej.

- Flecha de sentido de giro
  - Marcas para conexiones
  - Placa de características
  - Etiquetas de advertencia
- deberán tenerse en cuenta y mantenerse legibles.

## 2.2 Cualificación del personal

El personal responsable del montaje, el manejo y el mantenimiento debe tener la cualificación oportuna para efectuar estos trabajos. El operador se encargará de garantizar los ámbitos de responsabilidad, las competencias y la vigilancia del personal. Si el personal no cuenta con los conocimientos necesarios, deberá ser formado e instruido. En caso necesario, el operador puede encargar dicha instrucción al fabricante del producto.

## 2.3 Riesgos en caso de inobservancia de las instrucciones de seguridad

Si no se siguen las instrucciones de seguridad, podrían producirse lesiones personales, así como daños en el medio ambiente y en el producto o la instalación. La inobservancia de dichas instrucciones anulará cualquier derecho a reclamaciones por los daños sufridos.

Si no se siguen las instrucciones, se pueden producir, entre otros, los siguientes daños:

- lesiones personales debidas a causas eléctricas, mecánicas o bacteriológicas
- daños en el medio ambiente debido a fugas de sustancias peligrosas
- daños materiales
- fallos en funciones importantes del producto o el sistema
- fallos en los procedimientos obligatorios de mantenimiento y reparación.

## 2.4 Seguridad en el trabajo

Deberán respetarse las instrucciones de seguridad que aparecen en estas instrucciones de funcionamiento, las normativas nacionales vigentes para la prevención de accidentes, así como cualquier posible norma interna de trabajo, manejo y seguridad por parte del operador.

## 2.5 Instrucciones de seguridad para el operador

Este aparato no ha sido concebido para ser utilizado por personas (incluidos los niños) con capacidades físicas, sensoriales o mentales limitadas o que carezcan de la experiencia y/o el conocimiento para ello, a no ser que sean supervisadas por una persona responsable de su seguridad o reciban de ella las instrucciones acerca del manejo del aparato.

Se debe supervisar a los niños para garantizar que no jueguen con el aparato.

- Si existen componentes fríos o calientes en el producto o la instalación que puedan resultar peligrosos, el propietario deberá asegurarse de que están protegidos frente a cualquier contacto accidental.
- La protección contra contacto accidental de los componentes móviles (p. ej., el acoplamiento) no debe ser retirada del producto mientras éste se encuentra en funcionamiento.
- Los escapes (p. ej., el sellado del eje) de fluidos peligrosos (p. ej., explosivos, tóxicos, calientes) deben evacuarse de forma que no supongan ningún daño para las personas o el medio ambiente. En este sentido, deberán observarse las disposiciones nacionales vigentes.
- Es preciso evitar la posibilidad de que se produzcan peligros debidos a la energía eléctrica. Así pues, deberán respetarse las indicaciones de las normativas locales o generales (p. ej. IEC, UNE, etc.) y de las compañías eléctricas.

## 2.6 Instrucciones de seguridad para la instalación y el mantenimiento

El operador deberá asegurarse de que todas las tareas de instalación y mantenimiento son efectuadas por personal autorizado y cualificado, y de que dicho personal ha consultado detenidamente el manual para obtener la suficiente información necesaria.

Las tareas relacionadas con el producto o el sistema deberán realizarse únicamente con el producto o el sistema desconecta-

dos. Es imprescindible que siga estrictamente el procedimiento descrito en las instrucciones de instalación y funcionamiento para realizar la parada del producto o de la instalación. Inmediatamente después de finalizar dichas tareas deberán colocarse de nuevo o ponerse en funcionamiento todos los dispositivos de seguridad y protección.

## **2.7 Modificaciones del material y utilización de repuestos no autorizados**

Las modificaciones del material y la utilización de repuestos no autorizados ponen en peligro la seguridad del producto/personal, y las explicaciones sobre la seguridad mencionadas pierden su vigencia.

Sólo se permite modificar el producto con la aprobación con el fabricante. El uso de repuestos originales y accesorios autorizados por el fabricante garantiza la seguridad del producto. No se garantiza un funcionamiento correcto si se utilizan piezas de otro tipo.

## **2.8 Modos de utilización no permitidos**

La fiabilidad del producto suministrado sólo se puede garantizar si se respetan las instrucciones de uso del apartado 4 de este manual. Asimismo, los valores límite indicados en el catálogo o ficha técnica no deberán sobrepasarse por exceso ni por defecto.

# **3 Transporte y almacenamiento**

Inmediatamente después de la recepción del producto:

- Compruebe si el producto ha sufrido daños durante el transporte.
- Si el producto ha sufrido daños durante el transporte, tome las medidas necesarias con respecto a la agencia de transportes respetando los plazos establecidos para estos casos.



**¡ATENCIÓN! ¡Peligro de daños materiales!**

**Si el transporte y el almacenamiento transitorio no tienen lugar en las condiciones adecuadas, el producto puede sufrir daños (fig.7).**

- **Durante el transporte y el almacenamiento transitorio, proteja la bomba contra la humedad, las heladas y contra posibles daños mecánicos provocados por golpes.**
- **La bomba no debe someterse a temperaturas inferiores a  $-10\text{ }^{\circ}\text{C}$  o superiores a  $+50\text{ }^{\circ}\text{C}$ .**

#### **4 Uso previsto**

Las bombas circulatorias de la serie Wilo-Star RS están diseñadas para ser utilizadas en instalaciones de calefacción por agua caliente y en sistemas similares con caudales en constante cambio.

Está permitido su uso con los siguientes fluidos: agua de calefacción según la norma VDI 2035 y mezclas de agua y glicol en una proporción máx. de 1:1. Si se utilizan mezclas con aditivos de glicol, será preciso corregir los datos de bombeo de acuerdo con el aumento de la viscosidad y en función del porcentaje de la mezcla.

Utilizar únicamente marcas con inhibidores de la corrosión.

Tener en cuenta las indicaciones del fabricante. Antes de utilizar otros fluidos es necesaria la autorización de Wilo.

Se considera también un uso previsto el respetar las presentes instrucciones.

Todo uso que no figure en las mismas se considerará como no previsto.

## 5 Especificaciones del producto

### 5.1 Código

Ejemplo: Wilo Star RS 25/4	
Star-RS	RS = bomba circuladora de calefacción, bomba de rotor húmedo RSD = bomba circuladora doble de calefacción, bomba de rotor húmedo
25	Conexión roscada 15, (Rp ½), 25 (Rp1), 30 (Rp1 ½)
/4	4 = altura de impulsión máxima en m con Q = 0 m <sup>3</sup> /h

### 5.2 Datos técnicos

Tensión de conexión	1 ~ 230 V ± 10 %
Frecuencia de la red	50 Hz
Tipo de protección IP	Véase la placa de características
Velocidad máx. del motor:	Véase la placa de características
Temperatura del agua con temperatura ambiente a máx. +40 °C	de -10 °C a +110 °C
Temperatura ambiente máx.	+40 °C
Presión de trabajo máx	10 bar (1000 kPa)
Presión mínima de entrada <sup>1)</sup> a +50 °C/+95 °C/+110 °C	0,05 bar / 0,3 bar / 1,0 bar (5 kPa / 30 kPa / 100 kPa)
Longitud de montaje	130 mm / 180 mm
Conmutación de velocidad <sup>2)</sup>	3 etapas

<sup>1)</sup> Datos válidos para una instalación situada a 300 m sobre el nivel del mar; Suplemento para ubicaciones más elevadas: 0,01 bar/100 m de altura adicional. Para eliminar ruidos de cavitación, debe mantenerse la presión de entrada mínima en las bocas de aspiración de la bomba.

<sup>2)</sup> Para bombas dobles Star-RSD, es necesario contar adicionalmente con un cuadro para el funcionamiento principal/reserva o de adición/carga punta, todos en función del tiempo.

### 5.3 Suministro

- Bomba circuladora completa
- 2 unidades de junta plana
- Instrucciones de instalación y funcionamiento

### 5.4 Accesorios

Los accesorios deben solicitarse por separado:

- Coquilla termoaislante
- Racores

Para consultar un listado detallado, véase el catálogo.

## 6 Descripción y función

### 6.1 Descripción del producto

La bomba (fig. 1) está compuesta por un sistema hidráulico y un motor de rotor húmedo con caja de bornes. En la bomba de rotor húmedo, el fluido pasa por todas las piezas en rotación, incluido el rotor del motor. No es necesario contar con un sellado del eje sometido al desgaste. El fluido lubrica los cojinetes de deslizamiento y refrigera los cojinetes y el rotor. No se requiere una protección de motor. Incluso la máxima corriente de sobrecarga no puede dañar el motor. El motor es resistente al bloqueo.



**Términos (fig. 1):**

1. Boca de aspiración
2. Salida de condensados
3. Carcasa de la bomba
4. Boca de impulsión
5. Caja de bornes
6. Entrada de cable
7. Interruptor de velocidad
8. Purga
9. Placa de características
10. Carcasa del motor

**6.2 Función del producto****Conmutación de velocidad (fig. 8)**

La velocidad de la bomba se activa en tres etapas a través de un botón giratorio. La velocidad en la etapa más reducida es aprox. el 40...50 % de la velocidad máxima en caso de que se produzca una reducción en la intensidad absorbida al 50 %.

**Características especiales de las bombas**

En el caso de una bomba doble, ambos juegos de introducción son idénticos y se montan en una misma carcasa de la bomba con clapeta de conmutación integrada.

Cada bomba puede utilizarse en funcionamiento individual, aunque también se pueden utilizar ambas bombas al mismo tiempo, en funcionamiento en paralelo. Los modos de funcionamiento son funcionamiento principal/reserva o funcionamiento de adición/carga punta. Los complementos individuales pueden diseñarse para soportar diferentes potencias. Gracias a la bomba doble, se puede ajustar una instalación a situaciones individuales de funcionamiento. Con el fin de controlar los diferentes modos de funcionamiento, es debe conectar un cuadro adecuado para la conmutación.

## 7 Instalación y conexión eléctrica



**¡PELIGRO! ¡Peligro de muerte!**

**Una instalación o una conexión eléctrica incorrecta puede causar la muerte.**

- **La instalación y conexión eléctrica deben ser realizadas exclusivamente por personal cualificado y de acuerdo con los reglamentos vigentes.**
- **Es imprescindible respetar en todo momento la normativa de prevención de accidentes.**

### 7.1 Instalación

- Antes de instalar la bomba, asegúrese de que se han completado con éxito los trabajos de soldadura y, en caso necesario, la limpieza del sistema de tuberías.
- Monte la bomba en un lugar de fácil acceso. Ello facilitará la realización de las tareas de revisión y el desmontaje.
- Si la bomba se monta en la alimentación de instalaciones abiertas, la alimentación de seguridad debe desviarse de la bomba (DIN EN 12828).
- Se deben instalar válvulas de cierre delante y detrás de la bomba para, dado el caso, facilitar el cambio de la misma.
  - Instale la bomba de tal manera que, en caso de que se dé una fuga de agua, ésta no gotee sobre el módulo de regulación.
  - Para ello, asegúrese de que la llave de corte superior queda orientada hacia un lateral.
- Durante la realización de tareas de aislamiento térmico, asegúrese de no aislar el motor de bomba ni el módulo. Los orificios del laberinto de purga de condensados no deben estar obturados (fig. 3, pos. 2).
- Instale la bomba con el motor en horizontal y exenta de tensiones. Posiciones de montaje de la bomba: véase la fig. 2.

- Tanto la carcasa de la bomba como la coquilla termoaislante (accesorio) disponen de unas flechas que indican el sentido del flujo (fig. 3, pos. 1).
- Asegurar la bomba contra posibles giros utilizando una llave de boca (fig. 4).
- Para colocar las cajas de bornes en la posición necesaria, la carcasa del motor se puede girar después de aflojar los tornillos de fijación del motor (fig. 5).



**INDICACIÓN:** En general, debe girarse el cabezal motor antes de que se llene la instalación. Si se gira el cabezal motor con la instalación ya llena, no extraiga dicho cabezal de la carcasa de la bomba. Gire el cabezal motor ejerciendo una ligera presión sobre la unidad del motor para que no pueda salir agua de la bomba.



**¡ATENCIÓN! ¡Peligro de daños materiales!**

**Al girar la carcasa del motor puede dañarse la junta. Si detecta daños en alguna junta, cámbiela inmediatamente: Ø 86 x Ø 76 x 2.0 mm EP.**

## 7.2 Conexión eléctrica



**¡PELIGRO! ¡Peligro de muerte!**

**Una conexión eléctrica inadecuada supone peligro de muerte por electrocución.**

- **La conexión eléctrica debe efectuarla únicamente un instalador eléctrico que cuente con la autorización de la compañía eléctrica local y de acuerdo con los reglamentos vigentes del lugar de la instalación.**
- **Corte el suministro de corriente antes de realizar cualquier trabajo.**

- El tipo de corriente y la tensión deben corresponderse con los datos que figuran en la placa de características.
- La conexión eléctrica se debe realizar de acuerdo con la norma VDE 0700/parte 1, con un cable de conexión fijo provisto de un enchufe o de un interruptor para todos los polos con un ancho de contacto de 3 mm como mínimo.
- Para garantizar la protección de la instalación contra el agua de goteo y la descarga de tracción en el racor PG, se debe seleccionar un cable de conexión con un diámetro exterior suficiente (p. ej., H05VV-F3G1,5).
- Si las bombas se van a utilizar en instalaciones expuestas a temperaturas de agua superiores a 90 °C, se debe seleccionar un cable de conexión con la resistencia térmica correspondiente.
- Tienda el cable de conexión de modo que no toque en ningún caso la tubería y/o la carcasa de la bomba y del motor.
- Realizar la alimentación eléctrica conforme a la fig. 6.
- El cable de conexión puede tenderse tanto a la izquierda como a la derecha y pasarse por la entrada de cable. En caso necesario, deberán sustituirse los tapones ciegos y las entradas de cable. Si la caja de bornes está en una posición lateral, la entrada de cable debe realizarse siempre por abajo (fig. 5).



**¡ATENCIÓN! ¡Peligro de cortocircuito!**

**Tras la conexión eléctrica, la tapa de la caja de bornes debe volver a cerrarse adecuadamente para protegerla de la humedad.**

- Conecte la bomba/la instalación a tierra conforme a los indicado en la normativa correspondiente.
- Si se conectan cuadros automáticos (para bombas dobles), tenga en cuenta las Instrucciones de instalación y funcionamiento pertinentes.



**INDICACIÓN:** Bombas dobles: Equipe los dos motores de la bomba doble con un cable de alimentación eléctrica con desconexión independiente y un fusible en lado de la red.

## 8 Puesta en marcha



**¡ADVERTENCIA! ¡Peligro de daños personales y materiales!**  
Una puesta en marcha inadecuada puede ocasionar daños personales y materiales.

- **La puesta en marcha debe efectuarla exclusivamente personal cualificado.**
- **En función del estado de funcionamiento de la bomba o de la instalación (temperatura del fluido), la bomba puede alcanzar temperaturas muy altas. ¡Existe peligro de quemaduras en caso de entrar en contacto con la bomba!**

### 8.1 Llenado y purga

Llene y purgue la instalación correctamente.

Será necesario purgar la bomba si, por ejemplo, aunque la calefacción y la bomba están en funcionamiento, los radiadores siguen fríos. La bomba no transportará agua si hay aire en la cámara de la bomba.

El hueco del rotor de la bomba se purga de forma automática a las pocas horas de funcionamiento. Un breve intervalo de marcha en seco no daña la bomba.

En caso de que sea necesario purgar el interior del rotor, proceda de la siguiente manera:

- Desconecte la bomba.



**¡ADVERTENCIA! ¡Peligro de lesiones!**

**En función del estado de funcionamiento de la bomba o de la instalación (temperatura del fluido), la bomba puede alcanzar temperaturas muy altas. ¡Existe peligro de quemaduras en caso de entrar en contacto con la bomba!**

- Cierre la válvula de cierre situada en la tubería del lado de impulsión.



**¡ADVERTENCIA! ¡Peligro de lesiones!**

**En función de la temperatura del fluido y de la presión del sistema puede producirse, al abrir el tornillo de purga, una fuga del fluido caliente o de gas y provocar así que estos mismos elementos salgan disparados a alta presión. ¡Peligro de quemaduras provocadas por la salida del fluido!**

- Afloje y saque cuidadosamente el tornillo de purga utilizando un desarmador adecuado (fig. 9).
- Vuelva a empujar varias veces el eje de bomba con cuidado utilizando para ello un desarmador.
- Proteja los componentes eléctricos frente a las fugas de agua.
- Conecte la bomba.



**INDICACIÓN:** La bomba se puede bloquear si los tornillos de escape de aire están sueltos y en función de la altura de la presión de trabajo .

- Transcurridos 15...30 s, vuelva a atornillar el tornillo de purga.
- Abra de nuevo la válvula de cierre.

## 8.2 Conmutación de velocidad

Si las estancias no se han calentado lo suficiente, es posible que la velocidad de la bomba sea demasiado baja. En este caso es necesario conmutar a una velocidad más alta. Si, por lo contrario, la bomba está ajustada en una velocidad demasiado alta, se escucharán ruidos de flujo en las tuberías y, especialmente, en las válvulas termostáticas estranguladas. Deberán eliminarse mediante la conmutación a una velocidad más baja. Esta conmutación a una velocidad más baja se realiza con un botón giratorio situado en la caja de bornes. La marca pequeña señala la velocidad más baja y la marca grande, la más alta (fig. 8).



**INDICACIÓN:** Si las dos bombas de una bomba doble van a funcionar simultáneamente, se debe seleccionar la misma velocidad para ambas.

## 9 Mantenimiento



**¡PELIGRO! ¡Peligro de muerte!**

**Durante la realización de tareas en los equipos eléctricos existe peligro de muerte por electrocución.**

- **Durante las tareas de mantenimiento y reparación es preciso desconectar la bomba de la corriente y asegurarla contra reconexión no autorizada.**
- **Si el cable de conexión sufre desperfectos, la reparación del mismo debe correr a cargo de un instalador eléctrico cualificado.**

Una vez realizados los trabajos de mantenimiento o de reparación, monte y conecte la instalación según lo indicado en el capítulo "Instalación y conexión eléctrica". Ponga en marcha la bomba según lo indicado en el capítulo "Puesta en marcha".



## 10 Averías, causas y solución

**La subsanación de averías debe correr a cargo exclusivamente de personal cualificado.**

**Tenga en cuenta las indicaciones de seguridad que aparecen en el capítulo 9.**

Averías	Causas	Solución
La alimentación eléctrica está conectada pero la bomba no funciona	El fusible eléctrico está defectuoso	Compruebe los fusibles.
	La bomba no recibe tensión	Compruebe la tensión de la bomba (Respete los datos de la placa de características). Solucione el corte en la tensión.
	Condensador defectuoso	Compruebe el condensador (respete los datos de la placa de características). Reemplace el condensador.
	El motor está bloqueado debido, por ejemplo, a la presencia de depósitos en el agua de calefacción	Desatornillar por completo el tornillo de purga y comprobar o establecer el funcionamiento del rotor de la bomba girando el extremo hendido del eje con ayuda de un desarrotador (fig. 9). <b>ATENCIÓN</b> Si las temperaturas del agua y las presiones del sistema son elevadas, cierre las válvulas de cierre situadas delante y detrás de la bomba. Deje enfriar antes la bomba.
La bomba emite ruidos	Cavitación debido a una presión de alimentación insuficiente	Aumente la presión previa del sistema dentro del rango permitido.
		Compruebe el ajuste de la velocidad y, dado el caso, conmute a una velocidad más baja.

**Si no es posible solucionar la avería, póngase en contacto con la empresa especializada o con el servicio de asistencia técnica de Wilo.**

## 11 Repuestos

El pedido de repuestos se realiza a través de la empresa especializada local y/o del servicio técnico de Wilo.

Para evitar errores y preguntas innecesarias, indique en cada pedido todos los datos de la placa de características.

## 12 Eliminación

Eliminando y reciclando correctamente este producto se evitan daños medioambientales y riesgos para la salud.

1. Para eliminar el producto o partes de este, sírvase de empresas de eliminación de desechos públicas o privadas.
2. El ayuntamiento, el órgano competente en materia de eliminación de desechos o el proveedor del producto le proporcionarán información más detallada sobre la correcta eliminación del mismo.



**INDICACIÓN:** La bomba no debe tirarse a la basura doméstica. Para más información sobre cuestiones de reciclaje, consulte el sitio web [www.wilo-recycling.com](http://www.wilo-recycling.com)

**Reservado el derecho a realizar modificaciones técnicas.**

## 1 Введение

### Информация об этом документе

Оригинал инструкции по монтажу и эксплуатации составлен на немецком языке. Все остальные языки настоящей инструкции являются переводом оригинальной инструкции.

Инструкция по монтажу и эксплуатации является неотъемлемой частью изделия. Поэтому ее всегда следует держать рядом с изделием. Точное соблюдение данной инструкции является обязательным условием использования изделия по назначению и корректного управления его работой.

Инструкция по монтажу и эксплуатации соответствует исполнению изделия, а также соответствующим предписаниям по технике безопасности и стандартам, действующим на момент сдачи в печать.

## 2 Техника безопасности

Данная инструкция содержит основополагающие указания, которые необходимо соблюдать при монтаже, эксплуатации и техническом обслуживании. Кроме того, данная инструкция необходима монтажникам для осуществления монтажа и ввода в эксплуатацию, а также для специалистов/пользователя.

Необходимо соблюдать не только общие указания по технике безопасности, приведенные в данном разделе «Техника безопасности», но также и специальные указания по технике безопасности, указанные в нижеследующих основных пунктах и обозначенные символами опасности.

## 2.1 Обозначения указаний в инструкции по эксплуатации

Символы:

Общий символ опасности



Опасность поражения электрическим током



Указание:



Предупреждающие символы:

**ОПАСНО!**

Чрезвычайно опасная ситуация.

Несоблюдение приводит к смерти или получению тяжелых травм.

**ОСТОРОЖНО!**

Пользователь может получить (тяжелые) травмы. Символ «Осторожно» указывает на вероятность получения (тяжелых) травм при несоблюдении указания.

**ВНИМАНИЕ!**

Существует опасность повреждения изделия/установки. Символ «Внимание» указывает на возможность повреждения изделия при несоблюдении указания.

УКАЗАНИЕ: Полезное указание по использованию изделия. Оно также указывает на возможные сложности.

Указания, размещенные непосредственно на изделии, например,

- стрелка направления вращения,
- обозначения соединений,
- фирменная табличка,
- предупреждающие наклейки,

необходимо обязательно соблюдать и поддерживать в полностью читаемом состоянии.

## **2.2 Квалификация персонала**

Персонал, выполняющий монтаж, управление и техническое обслуживание, должен иметь соответствующую квалификацию для выполнения работ. Сферы ответственности, обязанности и контроль над персоналом должны быть регламентированы пользователем. Если персонал не обладает необходимыми знаниями, необходимо обеспечить его обучение и инструктаж. При необходимости пользователь может поручить это изготовителю изделия.

## **2.3 Опасности при несоблюдении указаний по технике безопасности**

Несоблюдение указаний по технике безопасности может привести к травмированию людей, загрязнению окружающей среды и повреждению изделия/установки. Несоблюдение указаний по технике безопасности ведет к утрате всех прав на возмещение убытков.

Несоблюдение данных указаний может, в частности, иметь следующие последствия:

- травмирование персонала вследствие поражения электрическим током, механических и бактериологических воздействий;
- загрязнение окружающей среды при утечках опасных материалов;
- нанесение материального ущерба;
- отказ важных функций изделия/установки;
- отказ предписанных технологий технического обслуживания и ремонтных работ.

#### **2.4 Выполнение работ с учетом техники безопасности**

Должны соблюдаться указания по технике безопасности, приведенные в настоящей инструкции по монтажу и эксплуатации, существующие национальные предписания по предотвращению несчастных случаев, а также указания по технике безопасности, рабочие и эксплуатационные инструкции пользователя.

#### **2.5 Указания по технике безопасности для пользователя**

Лицам (включая детей) с физическими, сенсорными или психическими нарушениями, а также лицам, не обладающим достаточными знаниями/опытом, разрешено использовать данное устройство исключительно под контролем или наставлением лица, ответственного за безопасность вышеупомянутых лиц.

Дети должны находиться под присмотром, чтобы они не играли с устройством.

- Если горячие или холодные компоненты изделия/установки являются источником опасности, то на месте эксплуатации они должны быть защищены от контакта.
- Защиту от контакта с движущимися компонентами (например, муфты) запрещается снимать во время эксплуатации изделия.
- Утечки (например, через уплотнение вала) опасных перекачиваемых сред (например, взрывоопасных, ядовитых, горячих) должны отводиться таким образом, чтобы это не создавало опасности для персонала и окружающей среды. Должны соблюдаться национальные правовые предписания.
- Следует исключить риск получения удара электрическим током. Следует учесть предписания местных энергоснабжающих организаций.

## **2.6 Указания по технике безопасности при проведении монтажа и технического обслуживания**

Пользователь должен обеспечить, чтобы все работы по монтажу и техническому обслуживанию проводились сертифицированным и квалифицированным персоналом, внимательно изучившим инструкцию по монтажу и эксплуатации.

Работы разрешено выполнять только на изделии/установке, находящемся/находящейся в состоянии покоя.

Необходимо обязательно соблюдать последовательность действий по остановке изделия/установки, приведенную в инструкции по монтажу и эксплуатации.

Сразу по завершении работ все предохранительные и защитные устройства должны быть установлены на свои места и/или приведены в действие.

## **2.7 Самовольное изменение конструкции и изготовление запасных частей**

Самовольное изменение конструкции и изготовление запасных частей нарушает безопасность изделия/персонала и делает недействительными приведенные изготовителем указания по технике безопасности.

Внесение изменений в конструкцию изделия допускается только при согласовании с производителем. Фирменные запасные части и разрешенные изготовителем принадлежности гарантируют надежную работу изделия. При использовании других запасных частей изготовитель не несет ответственности за возможные последствия.

## 2.8 Недопустимые способы эксплуатации

Безопасность эксплуатации поставленного изделия гарантирована только при его использовании по назначению в соответствии с разделом 4 инструкции по монтажу и эксплуатации. При эксплуатации ни в коем случае не выходить за рамки предельных значений, указанных в каталоге/спецификации.

## 3 Транспортировка и промежуточное хранение

Сразу после получения изделия:

- немедленно проверить изделие на возможные повреждения при транспортировке;
- в случае обнаружения повреждений при транспортировке следует предпринять необходимые шаги, обратившись к экспедитору в соответствующие сроки.



**ВНИМАНИЕ! Опасность материального ущерба!**

**Выполненные ненадлежащим образом транспортировка и промежуточное хранение могут привести к материальному ущербу (рис. 7)..**

- При транспортировке и промежуточном хранении насос следует предохранять от воздействия влаги, мороза и механических повреждений вследствие столкновений/ударов.
- Его не следует подвергать воздействию температур, выходящих за пределы диапазона от  $-10\text{ }^{\circ}\text{C}$  до  $+50\text{ }^{\circ}\text{C}$ .



## 4 Использование по назначению

Циркуляционные насосы серии Wilo-Star RS разработаны для водяных отопительных установок или подобных систем с постоянно изменяющейся производительностью. Допустимыми к использованию перекачиваемыми средами являются: вода систем отопления согласно VDI 2035, водогликолевые смеси в соотношении макс. 1:1. При наличии примесей гликоля необходима корректировка рабочих характеристик насоса в соответствии с повышенным уровнем вязкости и в зависимости от процентного соотношения компонентов смеси.

Использовать только фирменные изделия с антикоррозийными ингибиторами, соблюдать указания производителя. При использовании других перекачиваемых сред необходимо разрешение от компании Wilo.

К условиям использования по назначению относится также соблюдение настоящей инструкции.

Любое использование, выходящее за рамки указанных требований, считается использованием не по назначению.

## 5 Характеристики изделия

### 5.1 Расшифровка типового обозначения

Пример: Wilo Star RS 25/4	
Star-RS	RS = циркуляционный насос для систем отопления, насос с мокрым ротором RSD = сдвоенный циркуляционный насос для систем отопления, насос с мокрым ротором
25	Резьбовое соединение 15, (Rp 1/2), 25 (Rp1), 30 (Rp1 1/2)
/4	4 = максимальный напор в м при Q = 0 м <sup>3</sup> /ч

### 5.2 Технические характеристики

Подключаемое напряжение	1 ~ 230 В ± 10 %
Частота сети	50 Гц
Класс защиты IP	См. фирменную табличку
Макс. частота вращения мотора	См. фирменную табличку
Температура воды при макс. температуре окружающей среды +40 °C	От -10 °C до +110 °C
Макс. температура окружающей среды	+40 °C
Макс. рабочее давление:	10 бар (1000 кПа)
Мин. входное давление <sup>1)</sup> при +50 °C/+95 °C/+110 °C	0,05 бар / 0,3 бар / 1,0 бар (5 кПа / 30 кПа / 100 кПа)
Монтажная длина	130 мм / 180 мм
Переключение частоты вращения <sup>2)</sup>	3 ступени

1) Приведенные значения действительны до высоты 300 м над уровнем моря; прибавка к минимальному значению давления при более высокой установке насоса: 0,01 бар на 100 м прироста высоты. Для предотвращения появления кавитационных шумов необходимо поддерживать давление на входе всасывающего патрубка на уровне не ниже минимального!

2) Для сдвоенных насосов Star-RSD дополнительно необходим прибор управления для выключения/включения по времени основного/вспомогательного режима или режима параллельной работы двух насосов/режима работы при пиковых нагрузках.

### 5.3 Объем поставки

- Циркуляционный насос в сборе
- 2 плоских уплотнения
- Инструкция по монтажу и эксплуатации

### 5.4 Принадлежности

Принадлежности необходимо заказывать отдельно:

- Теплоизоляционный кожух
  - Резьбовые соединения
- Подробный перечень см. в каталоге.

## 6 Описание и функции

### 6.1 Описание изделия

Насос (рис. 1) состоит из гидравлической системы, мотора с мокрым ротором и клеммной коробкой. В моторе с мокрым ротором все движущиеся детали соприкасаются с перекачиваемой средой, в том числе и ротор мотора. В использовании подвергающегося износу уплотнения вала нет необходимости. Перекачиваемая среда смазывает подшипники скольжения и охлаждает подшипники и ротор. Реле защиты мотора не требуется. Даже максимальный ток перегрузки не может повредить мотор. Мотор также является устойчивым к токам блокировки.

#### Термины (рис. 1):

1. Всасывающий патрубок
2. Выпускное соединение для слива конденсата
3. Корпус насоса
4. Напорный штуцер
5. Клеммная коробка
6. Соединение для подвода кабеля
7. Переключатель частоты вращения

8. Воздухоотвод
9. Фирменная табличка
10. Корпус мотора

## 6.2 Принцип функционирования изделия

### **Переключение частоты вращения (рис. 8)**

Регулировка частоты вращения насоса выполняется путем переключения поворотного регулятора на одну из трех ступеней. Частота вращения на нижней ступени регулировки составляет ок. 40...50 % от максимальной частоты вращения при уменьшении энергопотребления на 50 %.

### **Особенности насосов**

У сдвоенного насоса оба крепежных комплекта выполнены одинаково и размещены в общем корпусе насоса с интегрированным перекидным клапаном.

Каждый насос может работать в автономном режиме, возможна также параллельная работа двух насосов. Доступные режимы работы: основной режим/резервный режим или режим параллельной работы двух насосов/режим работы при пиковых нагрузках. Отдельные агрегаты могут быть предназначены для эксплуатации с различными мощностными характеристиками. Оснащенная сдвоенным насосом, такая установка может быть адаптирована к индивидуальным эксплуатационным условиям. Для переключения между различными режимами работы к насосу необходимо подключить соответствующий прибор управления.

## 7 Монтаж и электроподключение



**ОПАСНО! Угроза жизни!**

**Неквалифицированный монтаж и электроподключение может быть опасным для жизни.**

- **Работы по монтажу и электроподключению должен выполнять только квалифицированный персонал в соответствии с действующими предписаниями!**
- **Соблюдать предписания по технике безопасности**

### 7.1 Монтаж

- Установку насоса проводить только после завершения всех сварочных и паяльных работ и промывки трубопроводной системы (если требуется).
- Установить насос в легкодоступном месте для упрощения проведения проверок или демонтажа.
- При установке на входе в открытые системы от насоса должен быть отведен предохранительный подающий трубопровод (DIN EN 12828).
- На входе и на выходе насоса установить запорную арматуру для упрощения возможной замены насоса.
  - Выполнить монтаж таким образом, чтобы при возможном возникновении утечек вода не попадала на регулирующий модуль.
  - Для этого вывернуть верхнюю запорную задвижку по боковой стороне.
- При выполнении работ по теплоизоляции следить за тем, чтобы мотор насоса и модуль не были изолированы. Отверстия выпускных соединений для слива конденсата должны быть открытыми (рис. 3, поз. 2).
- Выполнить монтаж без напряжения при горизонтально расположенном моторе насоса. Варианты монтажа насоса см. на рис. 2.

- Стрелки на корпусе насоса и теплоизоляционном кожухе (принадлежность) указывают на направление потока (рис. 3, поз. 1).
- Предохранить соединения насоса от проворачивания с помощью гаечного ключа (рис. 4).
- При необходимости позиционирования клеммной коробки можно перевернуть мотор, отвинтив крепежные болты мотора (рис. 5).



**УКАЗАНИЕ:** Настоятельно рекомендуется поворачивать головку мотора до заполнения установки. Во время поворота головки мотора при уже заполненной установке не вынимать головку мотора из корпуса насоса. Поворачивать головку мотора с легким нажатием на блок мотора, чтобы из насоса не вытекла вода.



**ВНИМАНИЕ! Опасность материального ущерба!**  
**При поворачивании корпуса мотора можно повредить уплотнение. Поврежденные уплотнения следует немедленно заменить:  $\varnothing$  86 x  $\varnothing$  76 x 2.0 мм EP.**

## 7.2 Электроподключение



### **ОПАСНО! Угроза жизни!**

При неквалифицированном электроподключении существует угроза жизни вследствие удара электрическим током.

- **Поручать выполнение электроподключения только электромонтерам, допущенным к такого рода работам местным поставщиком электроэнергии. Электроподключение должно быть выполнено в соответствии с действительными местными предписаниями.**
- **Перед началом любых работ отключить источник питания.**
- Род тока и напряжение должны соответствовать данным на фирменной табличке.
- Электроподключение должно быть выполнено согласно VDE 0700, части 1 с помощью постоянной соединительной линии, оснащенной штепсельным разъемом или всеполюсным выключателем с зазором между контактами не менее 3 мм.
- Для обеспечения защиты от капель и уменьшения растягивающего усилия резьбового соединения PG необходимо использовать соединительную проводку достаточного наружного диаметра (например, H05VV-F3G1,5).
- При использовании насоса в системах с температурой воды выше 90 °C необходимо проложить соответствующую термоустойчивую соединительную проводку.
- Соединительную проводку необходимо прокладывать таким образом, чтобы она ни в коем случае не касалась трубопровода и/или корпуса насоса и мотора.
- Выполнить подключение к сети согласно рис. 6.
- Прокладку соединительного кабеля можно выполнять либо с левой, либо с правой стороны, используя соединительные крепления. При необходимости заменить глухую пробку

и соединительные крепления. При боковом расположении клеммной коробки всегда прокладывать кабель снизу (рис. 5).



**ВНИМАНИЕ! Опасность короткого замыкания!**

**Для обеспечения защиты от влаги после выполнения электроподключения крышку клеммной коробки необходимо установить на место и закрыть согласно предписаниям.**

- Заземлить насос/установку согласно предписаниям.
- При подключении автоматических приборов управления (для сдвоенных насосов) соблюдать соответствующую инструкцию по монтажу и эксплуатации.



**УКАЗАНИЕ:** Сдвоенные насосы: оба мотора сдвоенного насоса должны иметь отдельно отключаемую соединительную линию и отдельные предохранители со стороны сети.



## 8 Ввод в эксплуатацию



**ОСТОРОЖНО! Опасность материального ущерба и травмирования персонала!**

Неквалифицированный ввод в эксплуатацию может стать причиной нанесения материального ущерба и травмирования персонала.

- Ввод в эксплуатацию осуществляет только квалифицированный персонал!
- В зависимости от рабочего состояния насоса или установки (температура перекачиваемой среды) весь насос может сильно нагреться. Существует опасность получения ожогов при соприкосновении с насосом!

### 8.1 Заполнение и удаление воздуха

Заполнение и отвод воздуха из установки осуществлять надлежащим образом.

Отвод воздуха из насоса может потребоваться, например, в случае, если, несмотря на исправное функционирование системы отопления и насоса, нагревательные элементы остаются холодными. Если в камере насоса есть воздух, то насос не перекачивает воду.

Удаление воздуха из полости ротора выполняется автоматически после непродолжительного времени работы.

Кратковременный сухой ход не вредит насосу.

При необходимости удаления воздуха из полости ротора выполнить следующие действия:

- Выключить насос.



**ОСТОРОЖНО! Опасность травмирования людей!**

В зависимости от рабочего состояния насоса или установки (температура перекачиваемой среды) весь насос может сильно нагреться. Существует опасность получения ожогов при соприкосновении с насосом!

- Закрывать запорную арматуру трубопровода с напорной стороны.



**ОСТОРОЖНО! Опасность травмирования людей!**

**В зависимости от температуры перекачиваемой среды и давления в системе при открывании винта удаления воздуха очень горячая перекачиваемая среда в жидком или парообразном состоянии может выйти или вырваться под высоким давлением наружу. Существует опасность ошпаривания выходящими наружу перекачиваемыми средами!**

- Осторожно ослабить винт удаления воздуха с помощью подходящей отвертки и затем полностью вывинтить его (рис. 9).
- Отверткой несколько раз осторожно отвести назад вал мотора.
- Обеспечить защиту электрических компонентов от выходящей воды.
- Включить насос.



**УКАЗАНИЕ:** При определенных значениях рабочего давления возможно блокирование насоса после открытия винта удаления воздуха.

- По истечении 15...30 с ввинтить винт удаления воздуха на место.
- Открыть запорную арматуру.

## 8.2 Переключение частоты вращения

Если помещения недостаточно отапливаются, насоса может работать с недостаточной частотой вращения. В таком случае необходимо выполнить переключение на более высокую ступень частоты вращения. Если же насос установлен на слишком высокую частоту вращения, то в трубопроводах, а в особенности в задросселированных термостатических вентилях, возникает шум от потока жидкости. Его можно устранить, переключив насос на более низкую ступень частоты вращения. Переключение на другую ступень осуществляется с помощью поворотного регулятора на клеммной коробке. Маркировка маленького размера обозначает самую низкую ступень частоты вращения, а маркировка большого размера – самую высокую ступень (рис. 8).



**УКАЗАНИЕ:** При одновременной эксплуатации двух насосов сдвоенного насоса установленные ступени частоты вращения обоих насосов должны совпадать.

## 9 Техническое обслуживание



**ОПАСНО! Угроза жизни!**

При работе с электроприборами существует угроза для жизни вследствие удара током.

- При любых работах по техническому обслуживанию и ремонту следует обесточить насос и предохранить его от несанкционированного включения.
- Повреждения на соединительном кабеле разрешается устранять только квалифицированному электромонтеру.

После успешно проведенных работ по техническому обслуживанию и ремонту смонтировать и/или подключить насос согласно главе «Монтаж и электроподключение». Включение насоса выполняется согласно главе «Ввод в эксплуатацию».

## 10 Неисправности, причины и способы устранения

**Устранение неисправностей поручать только квалифицированному персоналу!**

**Соблюдать указания по технике безопасности, приведенные в главе 9!**

Неисправности	Причины	Способ устранения
Насос не работает, несмотря на подачу электроэнергии.	Неисправность электрического предохранителя.	Проверить предохранители.
	Насос не под напряжением.	Проверить напряжение на насосе (соблюдать указания на фирменной табличке). Устранить нарушение подачи напряжения.
	Неисправность конденсатора	Проверить конденсатор. (соблюдать указания на фирменной табличке). Заменить конденсатор.
	Мотор заблокирован, например, осадком из циркулирующей воды	Полностью вывинтить винт для удаления воздуха. Вращая шлицевой конец вала отверткой, проверить ход мотора насоса, при необходимости деблокировать его (рис. 9). <b>ВНИМАНИЕ!</b> При высоких температурах воды или высоком давлении в системе закрыть запорные арматуры перед и позади насоса. Перед началом работ дать насосу остыть.
Насос производит шумы.	Кавитация ввиду недостаточного давления на входе	Повысить давление на входе в пределах допустимого диапазона значений.
		Проверить настройку частоты вращения, при необходимости переключиться на более низкую ступень частоты вращения.

**Если устранить неисправность не удастся, следует обратиться в специализированную мастерскую или в ближайший технический отдел компании Wilo.**

## 11 Запчасти

Заказ запчастей осуществляется через местную специализированную мастерскую и/или технический отдел компании Wilo.

Во избежание необходимости в уточнениях или ошибочных поставках при каждом заказе следует указывать все данные фирменной таблички.

## 12 Утилизация

Благодаря правильной утилизации и надлежащему вторичному использованию данного изделия можно избежать нанесения ущерба окружающей среде и негативного воздействия на здоровье людей.

1. Для утилизации данного изделия, а также его частей следует привлекать государственные или частные предприятия по утилизации.
2. Дополнительную информацию о надлежащей утилизации можно получить в муниципалитете, службе утилизации или там, где изделие было куплено.



**УКАЗАНИЕ:** Насос не подлежит утилизации вместе с бытовыми отходами! Более подробную информацию по теме вторичного использования см. на [www.wilo-recycling.com](http://www.wilo-recycling.com)

**Возможны технические изменения!**

## 1 Загальні положення

### Про цей документ

Німецька мова є мовою оригінальної інструкції з експлуатації. Всі інші мови цієї інструкції є перекладами оригінальної інструкції з експлуатації.

Інструкція з монтажу та експлуатації є складовою частиною приладу. В будь-який час ви можете заздалегідь ближче ознайомитись з приладом. Точне дотримання цих інструкцій є передумовою для використання згідно з приписом та правильною експлуатації приладу.

Інструкція з монтажу та експлуатації відповідає виконанню продукту і стану взятих за основу приписів та стандартів з техніки безпеки на момент передачі до друку.

## 2 Заходи безпеки

Ця інструкція з експлуатації містить основні вказівки, яких необхідно дотримуватися при монтажі й експлуатації. Саме тому цю інструкцію з монтажу та експлуатації слід обов'язково прочитати монтеру і вповноваженому оператору перед монтажем та введенням у експлуатацію. Дотримуйтесь не лише загальних вказівок безпеки, зазначених у головному пункті "Заходи безпеки", а й символів небезпеки, спеціальних правил техніки безпеки, що додаються в наступних головних пунктах.

## 2.1 Позначення вказівок у інструкції з експлуатації

Символи:

Загальний символ небезпеки



Небезпека через електричну напругу



Вказівка:



Сигнальні слова:

**НЕБЕЗПЕЧНО!**

Знак небезпечної ситуації.

Недотримання призводить до смерті або тяжких ушкоджень.

**ЗАСТЕРЕЖЕННЯ!**

Користувач може зазнати (тяжких) ушкоджень. Слово 'Застереження' означає, що може бути заподіяна (значна) шкода здоров'ю, якщо не дотримуватись вказівки.

**ОБЕРЕЖНО!**

Виникає небезпека пошкодження виробу/установки. Слово 'Обережно' означає, що прилад може бути пошкоджено внаслідок недотримання вказівки.

Вказівка: Корисна вказівка щодо використання приладу. Вона звертає увагу користувача на можливі труднощі.

Розміщені безпосередньо на виробі вказівки, як, напр.,

- стрілка напрямку обертання,
- умовні позначення для під'єднань,
- заводська табличка
- попереджувальна наклейка повинні обов'язково дотримуватися і утримуватися у повністю читабельному стані.



## 2.2 Кваліфікація персоналу

Персонал, відповідальний за монтаж, управління та технічне обслуговування, повинен мати відповідну кваліфікацію для виконання цих робіт. Зона відповідальності, компетентність та контроль персоналу повинні забезпечуватися оператором. Якщо персонал не має необхідних знань, він повинен пройти навчання та інструктаж. За необхідності це можна виконати на замовлення оператора виробником виробу.

## 2.3 Небезпека під час недотримання правил техніки безпеки

Недотримання правил техніки безпеки може мати негативні наслідки для здоров'я й життя людей, навколишнього середовища та призвести до перебоїв у виробі/установці. Недотримання правил техніки безпеки може призвести до втрати права на висування будь-яких вимог щодо відшкодування збитків.

Зокрема, нехтування може призвести, напр., до таких наслідків:

- небезпека для людей через електричні, механічні та бактеріологічні впливи,
- загроза для навколишнього середовища внаслідок витоків небезпечних речовин,
- матеріальні збитки,
- відмова важливих функцій виробу/установки,
- порушення призначених робіт з технічного обслуговування та ремонтно-відновлювальних робіт.

## 2.4 Роботи з усвідомленням техніки безпеки

Слід дотримуватися наведених у цій інструкції з монтажу та експлуатації вказівок з техніки безпеки, існуючих національних приписів з попередження нещасних випадків, а також можливих внутрішніх робочих, експлуатаційних інструкцій та правил техніки безпеки оператора.

## 2.5 Правила техніки безпеки для користувача

Цей прилад не призначений для експлуатації особами (включаючи дітей) з обмеженими фізичними, сенсорними чи психічними можливостями чи такими, що не мають достатнього досвіду та/або знань, за винятком випадків, коли вони перебувають під наглядом відповідальної за них особи чи отримали від неї вказівки стосовно того, яким чином експлуатується прилад.

За дітьми потрібно наглядати, щоб переконатися в тому, що вони не граються з приладом.

- Якщо гарячі або холодні компоненти на виробі/установці призводять до небезпечних ситуацій, вони повинні бути захищені на місці встановлення від дотикання.
- Захист від дотикання для рухомих компонентів (напр., муфта) заборонено усувати на працюючому виробі.
- Витоки (напр., ущільнення валу) небезпечних перекачуваних середовищ (напр., вибухонебезпечних, отруйних, гарячих) повинні виводиться таким чином, щоб не виникала будь-яка загроза для працівників та навколишнього середовища. Слід дотримуватися національних законних розпоряджень.
- Необхідно запобігти небезпеці ураження електричним струмом. Слід дотримуватися загальних приписів [напр., IEC, VDE та ін.] і вказівок місцевих енергетичних компаній.

## **2.6 Правила техніки безпеки для робіт з монтажу та технічного обслуговування**

Оператор повинен забезпечити виконання усіх монтажних робіт і робіт з технічного обслуговування авторизованим та кваліфікованим персоналом, який був би детально ознайомлений з інструкцією з експлуатації.

Роботи на продукті/установці дозволяється виконувати тільки після його/її повної зупинки. Обов'язково дотримуватися описаної в інструкції з монтажу та експлуатації методики повної зупинки продукту/установки.

Безпосередньо після завершення робіт необхідно знову повернути на місце усі запобіжні та захисні пристрої або увімкнути їх.

## **2.7 Самовільна видозміна конструкції та виготовлення запасних частин**

Самовільні видозміни конструкції та виготовлення запасних частин загрожують безпеці виробу/персоналу та роблять недійсними надані виробником пояснення з техніки безпеки.

Зміни виробу дозволяється здійснювати тільки за згодою виробника. Використання оригінальних запасних частин та авторизованого виробником допоміжного обладнання слугує дотриманню заходів безпеки. Використання інших запчастин звільняє виробника від відповідальності за можливі наслідки.

## **2.8 Заборонені методи експлуатації**

Експлуатаційна безпека працюючого виробу забезпечується лише під час його використання за призначенням відповідно до розділу 4 інструкції з експлуатації. Допустимі величини параметрів, указані в каталозі/паспорті, в жодному разі не повинні бути порушені.

### 3 Транспортування та тимчасове зберігання

Відразу після отримання виробу:

- Перевірити прилад на пошкодження під час транспортування,
- При пошкодженні під час транспортування Вам слід повідомити відправника у відповідні терміни.



**ОБЕРЕЖНО! Небезпека матеріальних збитків!**

Неправильне транспортування та неправильне тимчасове зберігання приладу може призвести до матеріальних збитків (мал. 7).

- Під час транспортування й тимчасового зберігання захищати насос, вкл. упаковку, від впливу вологи, морозу та механічного пошкодження внаслідок поштовхів/ударів.
- На насос не повинні впливати температури за межами діапазону від  $-10\text{ }^{\circ}\text{C}$  до  $+50\text{ }^{\circ}\text{C}$ .

## 4 Використання за призначенням

Циркуляційні насоси типоряду Wilo-Star RS сконструйовані для систем водяного опалення та схожих систем з витратою, яка постійно змінюється.

Допустимими до використання перекачуваними середовищами є: вода систем опалення згідно з VDI 2035, водогліколеві суміші у співвідношенні макс. 1:1. При наявності домішок гліколю необхідне коригування робочих характеристик насоса відповідно до підвищеної в'язкості і в залежності від процентного співвідношення компонентів суміші.

Застосовувати тільки відомі марки з інгібіторами антикорозійного захисту, дотримуватися даних виробника. При застосуванні інших перекачуваних середовищ потрібно мати дозвіл від WILO.

До використання за призначенням також належить дотримання цієї інструкції.

Кожне використання окрім вищевказаного вважається таким, що не відповідає призначенню.

## 5 Дані про виріб

### 5.1 Типовий код

Наприклад: Wilo-Star-RS 25/4	
Star□RS	RS = циркуляційний насос для систем опалення, насос з мокрим ротором RSD = здвоєний циркуляційний насос для систем опалення, насос з мокрим ротором
25	Різьбове з'єднання 15, (Rp ½), 25 (Rp1), 30 (Rp1 ½)
/4	4 = максимальна висота подачі в м при Q = 0 м³/год

### 5.2 Технічні характеристики

Підвідна напруга	1 ~ 230 В ± 10 %
Частота мережі	50 Гц
Клас захисту IP	Див. заводську табличку
Число обертів двигуна макс.	Див. заводську табличку
Температура води при макс. температурі навколишнього середовища +40 °C	від -10 °C до +110 °C
Макс. температура навколишнього середовища	+40 °C
макс. робочий тиск	10 бар (1000 кПа)
Мінімальний тиск притоку <sup>1)</sup> при +50 °C/+95 °C/+110 °C	0,05 бар / 0,3 бар / 1,0 бар (5 кПа / 30 кПа / 100 кПа)
Монтажна довжина	130 мм / 180 мм
Перемикання числа обертів <sup>2)</sup>	3 ступені

<sup>1)</sup> Параметри дійсні до 300 м над рівнем моря; Надбавка для вищих положень: 0,01 бар/100 м зростання висоти. Для запобігання кавітаційним шумам дотримуватись мінімального тиску подачі на всмоктуючому патрубку насоса!

<sup>2)</sup> Для здвоєних насосів Star-RSD додатково потрібен прилад керування для залежного від часу основного/резервного чи паралельного/пікового режиму роботи.

### 5.3 Комплект поставки

- Циркуляційний насос в комплекті
- 2 шт. пласких ущільнень
- Інструкція з монтажу та експлуатації

### 5.4 Допоміжне приладдя

Додаткове приладдя замовляється окремо.

- теплоізоляція
  - Гвинтові з'єднання
- Детальний перелік див. у каталозі.

## 6 Опис та функціонування

### 6.1 Опис виробу

Насос (мал. 1) складається з гідравліки, двигуна з мокрим ротором з клемною коробкою. В насосі з мокрим ротором всі обертальні частини, також ротор двигуна, обтікаються перекачуваним середовищем. Зношуване ущільнення валу не потрібне. Перекачуване середовище змащує підшипник ковзання та охолоджує підшипник і ротор. Захист двигуна не потрібен. Навіть максимальний струм перевантаження не може пошкодити двигун. Двигун стійкий до струмів блокування.

#### Поняття (мал. 1):

1. Всмоктуючий патрубок
2. Відведення конденсату
3. Корпус насоса
4. Напірний патрубок
5. Клемна коробка
6. Підведення кабелю
7. Перемикач числа обертів
8. Вентиляція
9. Заводська табличка
10. Корпус двигуна

## 6.2 Функціонування виробу

### Перемикання числа обертів (мал. 8)

Число обертів перемикається поворотною ручкою по трьох ступенях. Число обертів найменшого ступеня складає близько 40...50 % максимального числа обертів при зниженні споживання струму до 50 %.

### Особливості насосів

Для здвоєного насоса обидва вставні блоки мають однакову конструкцію і розміщені у загальному корпусі насоса з вбудованим перемикаючим клапаном.

Кожен насос може працювати в індивідуальному режимі, а обидва насоси одночасно в паралельному режимі. Режим може бути основним/резервним чи паралельним/піковим. Окремі агрегати можуть бути виконані для різної потужності. Завдяки здвоєному насосу така установка може бути адаптована до індивідуальних експлуатаційних ситуацій. Для керування різноманітними режимами потрібне під'єднання відповідного приладу керування для перемикання.

## 7 Установка та електричне підключення



**НЕБЕЗПЕЧНО! Небезпека для життя!**

Неправильне встановлення та неправильне електричне під'єднання можуть бути небезпечними для життя.

- Встановлення та електричне під'єднання проводяться лише за допомогою фахівців та згідно з чинними приписами!
- Дотримуйтеся приписів для запобігання нещасним випадкам



## 7.1 Установка

- Монтаж насоса виконувати лише після закінчення всіх зварювальних і паяльних робіт та промивання трубної системи, якщо вона необхідна.
- Монтувати насос у добре доступному місці таким чином, щоб потім можна було легко виконати перевірку або демонтаж.
- При монтажі на підвідному трубопроводі відкритих установок необхідно відвести захисний підвідний трубопровід перед насосом (DIN EN 12828).
- Перед і після насоса змонтувати запірні арматури, щоб спростити можливу заміну насоса.
  - Виконувати монтаж таким чином, щоб вода, яка можливо буде витікати, не могла крапати на модуль регулювання.
  - Для цього верхню засувку зорієнтувати вбік.
- При роботах з теплоізолювання слідкувати за тим, щоб насос двигуна і модуль не ізолювались. Отвір для стікання конденсату повинен бути вільним (мал. 3, поз. 2).
- Виконати монтаж без внутрішніх напружень з горизонтальним розташуванням двигуна насоса. Монтажні положення для насоса див. мал. 2.
- Стрілки на корпусі насоса і теплоізоляції (додаткове приладдя) вказують на напрямок потоку (мал. 3, поз. 1).
- За допомогою гайкового ключа зафіксувати насос від прокручення (мал. 4).
- Для розташування клемної коробки корпус двигуна можна змістити після відгвинчування гвинтів кріплення двигуна (мал. 5).



Вказівка: Загалом верхню частину двигуна повертати до заповнення установки. При повертанні верхньої частини двигуна на вже заповненій установці не витягати верхню частину двигуна з корпусу насоса. Під легким натисканням блока двигуна повернути верхню частину двигуна таким чином, щоб з насоса не виступала вода.



**ОБЕРЕЖНО! Небезпека матеріальних збитків!**

При обертанні корпусу двигуна може бути пошкоджене ущільнення. Пошкоджені ущільнення потрібно негайно міняти:  $\varnothing 86 \times \varnothing 76 \times 2.0$  мм EP.

## 7.2 Електричне під'єднання



**НЕБЕЗПЕКА! Небезпека для життя!**

Під час неправильного електричного підключення виникає небезпека для життя через ураження струмом.

- Електричне під'єднання виконується лише електромонтером, який має дозвіл місцевого постачальника електроенергії, та відповідно до місцевих приписів.
- Перед усіма роботами вимикати енергопостачання.
- Тип струму і напруга повинні відповідати даним на заводській табличці.
- Електричне під'єднання за VDE 0700/частина 1 повинне виконуватися через стаціонарний під'єднувальний провід, що забезпечений штекерним пристроєм або полюсним вимикачем щонайменше з 3 мм ширини розмикання контактів.
- Для забезпечення захисту від крапельної вологи та від надмірного натягу кабельного різьбового з'єднання потрібен кабель з відповідним зовнішнім діаметром (напр., H05VV-F3G1,5).
- При застосуванні насосів в установках з температурою води понад 90 °C необхідно використовувати відповідний термостійкий з'єднувальний провід.
- З'єднувальний провід необхідно прокласти таким чином, щоб він в жодному разі не торкався трубопроводу та/або корпусу насоса й двигуна.
- Під'єднання до мережі виконувати за мал. 6.

- Під'єднувальний кабель можна проводити зліва чи справа через отвір для кабелю. Для цього потрібно зняти заглушку. Якщо клемна коробка розташована збоку, передбачити введення кабелю знизу (мал. 5).



### **ОБЕРЕЖНО! Коротке замикання!**

**Для захисту від вологи кришку клемної коробки після виконання електричного під'єднання потрібно знову закрити належним чином.**

- Насос/установку належним чином уземлити.
- При під'єднанні автоматичних приладів керування (для здвоєних насосів) дотримуватись відповідної інструкції з монтажу та експлуатації.



Вказівка: Здвоєні насоси: Обидва двигуни здвоєного насоса з окремим ізольованим проводом для під'єднання до мережі та окремим захистом запобіжником зі сторони мережі живлення.

## **8 Введення в експлуатацію**



**ЗАСТЕРЕЖЕННЯ! Небезпека для людей та загроза матеріальних збитків!**

**Неправильне введення в експлуатацію може призвести до тілесних ушкоджень та матеріальних збитків.**

- **Введення в експлуатацію лише силами кваліфікованих спеціалістів!**
- **В залежності від робочого стану насоса або установки (температури перекачуваного середовища) весь насос може стати дуже гарячим. Якщо торкнутися насоса, можна отримати опіки!**

### 8.1 Заповнення та видалення повітря

Заповнити установку та видалити з неї повітря належним чином.

Розповітряння насоса, напр., потрібне тоді, коли система опалення і насос працюють, а радіатор опалення залишається холодним. Якщо в камері насоса знаходиться повітря, насос не перекачує воду.

Видалення повітря з камери ротора насоса виконується автоматично вже після короткого часу експлуатації. Короткочасний сухий хід не пошкоджує насос.

Якщо потрібне розповітряння камери ротора, потрібно діяти наступним чином:

- Вимкнути насос.



**ЗАСТЕРЕЖЕННЯ! Небезпека тілесних ушкоджень!**  
**В залежності від робочого стану насоса або установки (температури перекачуваного середовища) весь насос може стати дуже гарячим. Якщо торкнутися насоса, можна отримати опіки!**

- Закрити запірну арматуру трубопроводу з напірної сторони.



**ЗАСТЕРЕЖЕННЯ! Небезпека тілесних ушкоджень!**  
**Залежно від температури середовища і тиску в системі при відкриванні повітровідвідного гвинта для видалення повітря може статися витікання гарячого середовища у рідкому або пароподібному стані або стрімкий його викид під високим тиском. Виникає небезпека опіків від гарячого середовища, що витікає!**

- Обережно з використанням відповідної викрутки ослабити повітровідвідний гвинт і викрутити його повністю (мал. 9).
- Обережно кілька разів перемістити назад вал насоса за допомогою викрутки.

- Захистити електричні частини від витоку води.
- Увімкнути насос.



Вказівка: Насос може заблокуватися при відкритому повітровідвідному гвинті залежно від рівня робочого тиску.

- Знову вкрутити повітровідвідний гвинт через 15 – 30 секунд.
- Знову відкрити запірну арматуру.

## 8.2 Перемикання числа обертів

Якщо приміщення опалюються недостатньо, число обертів насоса може бути замалим. Тоді може знадобитись перемикання на більше число обертів. Якщо, навпаки, насос відрегульований на занадто високе число обертів, в трубопроводах і, зокрема, на дросельованих термостатичних вентилях виникають гідравлічні шуми. Їх потрібно усувати перемиканням на нижче число обертів. Перемикання на інше число обертів виконується поворотною ручкою на клемній коробці. Мала мітка – це найнижче, а велика мітка – найбільше число обертів (мал. 8).



Вказівка: Якщо при здвоєному насосі водночас працюють обидва окремих насоси, попередньо вибрані числа обертів обох насосів повинні бути однаковими.

## 9 Технічне обслуговування



**НЕБЕЗПЕЧНО!** Небезпека для життя!

Під час робіт із електричними приладами існує небезпека для життя через ураження струмом.

- Під час усіх робіт з технічного обслуговування та ремонтно-відновлювальних робіт насос відключається від мережі та захищається від несанкціонованого повторного увімкнення.
- Пошкодження на з'єднувальному кабелі усуваються виключно за допомоги кваліфікованого електрика.

Після виконання робіт з технічного обслуговування та ремонтно-відновлювальних робіт установити або під'єднати насос відповідно до глави "Встановлення та електричне під'єднання". Ввімкнення насоса виконується за главою "Введення в дію".

## 10 Несправності, їх причини та усунення

**Усунення неполадок проводиться лише кваліфікованими фахівцями!**

**Дотримуватися вказівок з техніки безпеки в главі 9!**

Неполадки	Причини	Усунення
Насос не працює при увімкнутій подачі електроживлення.	Несправний електричний запобіжник.	Перевірити запобіжники.
	На насосі відсутня напруга.	Перевірити напругу на насосі. (Дотримуватись даних на заводській табличці) Відновити подачу напруги
	Несправний конденсатор	Перевірити конденсатор (Дотримуватись даних на заводській табличці) Замінити конденсатор
	Двигун заблокований, напр., через відкладення з води системи опалення	Повністю викрутити повітровідвідний гвинт і перевірити або деблокувати плавний хід ротора насоса обертанням шліцевого кінця валу за допомогою викрутки (мал. 9). Увага! При високих температурах води і тиску в системі закрити запірну арматуру перед насосом і після нього. Попередньо дати насосу охолонути.
Насос шумить.	Кавітація через недостатній тиск подачі.	Збільшити системний тиск подачі в межах допустимого діапазону.
		Перевірити регулювання числа обертів, за необхідності перемкнутися на менше число обертів.

**Якщо несправність усунути не вдається, зверніться до спеціалізованого підприємства чи сервісної служби Wilo.**

## 11 Запасні частини

Замовлення запчастин виконується через місцеве спеціалізоване підприємство і/чи через сервісний центр Wilo.

Щоб уникнути зустрічних запитань і помилкових замовлень, для кожного замовлення вказуйте усі дані, що наведені на заводській табличці.

## 12 Утилізація

За допомогою належної утилізації цього виробу уникаються екологічні шкоди та небезпека для здоров'я людей.

1. Для видалення відходів виробу, а також деталей з нього, необхідно звертатися до державних або приватних компаній з переробки відходів.
2. Додаткова інформація з належного видалення відходів видається у адміністрації міста, управлінні з питань утилізації або там, де придбаний виріб.



Вказівка: Насос не можна здавати разом з побутовим сміттям! З додатковою інформацією щодо утилізації можна ознайомитися на сайті [www.wilo-recycling.com](http://www.wilo-recycling.com)

**Можливі технічні зміни!**



## 1 Opšte

### O ovom dokumentu

Jezik originalnog uputstva je nemački. Svi ostali jezici ovog uputstva su prevod originalnog uputstva.

Uputstvo za ugradnju i upotrebu je sastavni deo proizvoda.

Uvek treba da se čuva u blizini proizvoda. Potpuno uvažavanje ovog uputstva je preduslov za propisnu upotrebu i pravilno rukovanje proizvodom.

Uputstvo za ugradnju i upotrebu odgovara verziji proizvoda i stanju bezbednosno-tehničkih propisa i standarda koji predstavljaju njegovu osnovu u trenutku štampanja.

## 2 Sigurnost

Ovo uputstvo za rad sadrži osnovne napomene kojih se treba pridržavati u toku montaže, rada i održavanja. Stoga, monter i nadležno osoblje/korisnik obavezno treba da pročitaju ovo uputstva za rad pre montaže i puštanja u rad.

Ne treba poštovati samo opšta bezbednosna uputstva, navedena u glavnoj tački Sigurnost, već i specijalna bezbednosna uputstva, navedena pod sledećim glavnim tačkama sa simbolima o opasnosti.

## 2.1 Označavanje napomena u Uputstvu za upotrebu

**Simboli:**

**Simbol opšte opasnosti**



**Opasnost od električnog napona**



**Napomena:**



**Signalne reči:**

**OPASNOST!**

**Akutno opasna situacija.**

**Nepoštovanje vodi do smrti ili teških povreda.**

**UPOZORENJE!**

**Korisnik može biti (teško) povređen. „Upozorenje“ znači da može doći do (teških) telesnih povreda, ako se napomena ne poštuje.**

**OPREZ!**

**Postoji opasnost od oštećenja proizvoda/postrojenja.**

**„Oprez“ se odnosi na moguća oštećenja proizvoda ukoliko se napomene ne uvažavaju.**

**NAPOMENA:** Korisna napomena za rukovanje proizvodom.

Ukazuje i na moguće teškoće.

Napomene nanesene direktno na proizvodu, kao npr.

- strelica za smer obrtanja,
  - oznake za priključke,
  - natpisna pločica,
  - upozoravajuća nalepnica,
- moraju obavezno da se poštuju i da se održavaju u čitljivom stanju.

## 2.2 Kvalifikacija osoblja

Osoblje za montažu i rukovanje mora da poseduje odgovarajuće kvalifikacije za navedene radove. Područje odgovornosti, nadležnost i nadzor osoblja treba obezbediti korisnik. Ako osoblje ne raspolaže s potrebnim znanjem, treba ga obučiti i uputiti. Ako je potrebno, to može biti po nalogu korisnika, putem proizvođača proizvoda.

## 2.3 Opasnosti kod nepoštovanja bezbednosnih uputstava

Nepoštovanje bezbednosnih uputstava može da ugrozi bezbednost ljudi, okoline i proizvoda/instalacije. Nepoštovanje bezbednosnih uputstava vodi go gubitka svakakvih prava na obeštećenje.

U pojedinim slučajevima, nepoštovanje može, na primer, da izazove sledeće opasnosti:

- ugrožavanje ljudi električnim, mehaničkim i bakteriološkim uticajem,
- ugrožavanje životne sredine isticanjem opasnih materija,
- materijalnu štetu,
- otkazivanje važnih funkcija proizvoda/instalacije,
- otkazivanje propisanih postupaka održavanja i popravki.

## 2.4 Rad uz poštovanje sigurnosti

Treba poštovati bezbednosna uputstva, navedena u ovom uputstvu za rad, postojeće nacionalne propise za zaštitu od nesreće, kao i eventualne interne propise za rad, rukovanje i sigurnost korisnika.

## 2.5 Opšta uputstva za korisnika

Ovaj uređaj nije namenjen za upotrebu od strane osoba (uključujući decu) sa ograničenim fizičkim, psihičkim ili čulnim sposobnostima, ili osoba koje ne poseduju dovoljna iskustva i/ili znanja, osim pod nadzorom lica zaduženog za bezbednost uz instrukcije o načinu korišćenja uređaja.

Deca moraju da budu pod nadzorom da bi se onemogućilo da se igraju s uređajem.

- Ako vruće ili hladne komponente na proizvodu/instalaciji predstavljaju opasnost, na objektu se mora sprečiti njihovo dodirivanje.
- Zaštita od dodirivanja na komponentama koje se kreću (npr. spojnice) se ne smeju skidati u toku rada proizvoda.
- Curenje (npr. zaptivač vratila) opasnih fluida (npr. eksplozivnih, otrovnih, vrućih) mora da se odvodi, tako da ne dovodi u opasnost okolinu i ljude. Treba poštovati nacionalne odredbe.
- Treba isključiti mogućnost ugrožavanja zbog električne energije. Treba poštovati napomene lokalnih ili opštih propisa [npr. IEC, VDE itd.] i mesnih preduzeća za snabdevanje električnom energijom.

## 2.6 Bezbednosna uputstva za montažu i radove na održavanju

Korisnik se mora pobrinuti da sve radove na montaži i održavanju obavlja ovlašćeno i kvalifikovano osoblje, koje je dovoljno informisano detaljnim proučavanjem uputstva za rad.

Radovi na proizvodu/postrojenju smeju da se izvode samo u stanju mirovanja. Obavezno se mora poštovati postupak za stavljanje proizvoda /instalacije u mirovanje, opisan u uputstvu za ugradnju i upotrebu.

Neposredno nakon završetka radova se moraju vratiti, odnosno uključiti sve bezbednosne i zaštitne naprave.

## 2.7 Samovoljne prepravke i proizvodnja rezervnih delova

Samovoljne prepravke i proizvodnja rezervnih delova ugrožavaju bezbednost proizvoda/osoblja i poništavaju deklaraciju proizvođača o sigurnosti.

Izmenе proizvoda dozvoljene su samo uz dogovor sa proizvođačem. Originalni rezervni delovi i oprema odobrena od strane proizvođača služe bezbednosti. Upotreba drugih delova poništava odgovornost za posledice toga.

## 2.8 Nedozvoljeni načini rada

Pogonska bezbednost isporučenog proizvoda zagarantovana je samo u slučaju propisne upotrebe u skladu sa poglavljem 4 Uputstva za upotrebu. Ni u kom slučaju se ne smeju se dozvoliti vrednosti ispod ili iznad granica navedenih u katalogu informativnom listu.

## 3 Transport i međuskladištenje

Odmah nakon prijema proizvoda:

- proverite proizvod za transportna oštećenja,
- u slučaju transportnih oštećenja, kod špeditera treba preuzeti neophodne mere u okviru odgovarajućih rokova.



**OPREZ! Opasnost od materijalne štete!**

**Nepravilan transport i nepravilno međuskladištenje mogu dovesti do oštećenja proizvoda (sl. 7).**

- **Kod transporta i međuskladištenja, pumpu treba zaštititi od vlage, zamrzavanja i mehaničkog oštećenja udarom.**
- **Pumpa ne sme ni u kom slučaju da se izlaže temperaturama izvan opsega od  $-10\text{ }^{\circ}\text{C}$  do  $+50\text{ }^{\circ}\text{C}$ .**

## 4 Propisna upotreba

Cirkulacione pumpe serije Wilo-Star RS su konstruisane za toplovodne sisteme grejanja i slične sisteme sa stalnom promenom protoka.

Dozvoljeni fluidi su voda za grejanje u skladu sa VDI 2035, mešavine voda/glikol uz maks. odnos mešavine 1:1. Kod primesa glikola treba korigovati podatke za protok pumpe prema najvećoj viskoznošću, zavisno od procentualnog odnosa mešavine.

Koristiti samo proizvode s markom, sa zaštitom/inhibicijom korozije, poštovati napomene proizvođača. Kod upotrebe drugih fluida potrebno je odobrenje od strane kompanije Wilo %.

U namensku upotrebu spada i pridržavanje ovog uputstva.

Svaka upotreba izvan toga smatra se nenamenskom.

## 5 Podaci o proizvodu

### 5.1 Način označavanja

Primer: Wilo-Star-RS 25/4	
Star-RS	RS = cirkulaciona pumpa za grejanje, vlažni rotor RSD = dupla cirkulaciona pumpa za grejanje, vlažni rotor
25	Navojni priključak 15, (Rp ½), 25 (Rp1), 30 (Rp1 ½)
/4	4= najveći napor u m pri Q = 0 m <sup>3</sup> /h

### 5.2 Tehnički podaci

Napon priključka	1 ~ 230 V ± 10 %
Frekvencija mreže	50 Hz
Klasa zaštite IP	vidi natpisnu pločicu
Maks. broj obrtaja	vidi natpisnu pločicu
Temperature vode pri maks. temperaturi okoline do +40 °C	-10 °C do +110 °C
maks. temperatura okoline	+40 °C
maks. radni pritisak	10 bara (1000 kPa)

## 5.2 Tehnički podaci

Minimalan pritisak dotoka <sup>1)</sup> pri +50 °C/+95 °C/+110 °C	0,05 bara / 0,3 bara / 1,0 bara (5 kPa / 30 kPa / 100 kPa)
Dužina ugradnje	130 mm / 180 mm
Prebacivanje broja obrtaja <sup>2)</sup>	3 stepena

<sup>1)</sup> Vrednosti važe do 300 m nadmorske visine, dodatak za veće visine; Dodatak za veće nadmorske visine: 0,01 bar/100 m porasta visine. Za sprečavanja kavitacijske buke mora se zapaziti minimalni pritisak dotoka na usisnom priključku pumpe!

<sup>2)</sup> Za dupleks-pumpe Star-RSD dodatno je potreban upravljački uređaj za vremenski zavisan glavni/rezervni rad ili za paralelni rad/rad pod vršnim opterećenjem.

### 5.3 Obim isporuke

- Cirkulaciona pumpa, komplet
- 2 komada ravnih zaptivača
- Uputstvo za ugradnju i upotrebu

### 5.4 Dodatna oprema

Dodatna oprema mora posebno da se poruči:

- Obloga toplotne izolacije
- Navojni priključci

Za detaljan spisak vidi katalog.

## 6 Opis i funkcija

### 6.1 Opis proizvoda

Pumpa (sl. 1) se sastoji iz hidraulike, motora sa vlažnim rotorom s priključnom kutijom. Kod pumpe sa vlažnim rotorom oko svih rotirajućih delova struju fluid, čak i oko rotora motora. Nije potreban zaptivač vratila koji podleže habanju. Fluid podmazuje klizne ležajeve i hladi ležajeve i rotor. Zaštita motora nije potrebna. Čak i maksimalna struja preopterećenja ne može da ošteti motor. Motor otporan na struju blokiranja.

**Pojmovi (sl. 1):**

1. Usisni nastavak
2. Odvod kondenzata
3. Kućište pumpe
4. Potisni nastavak
5. Priključna kutija
6. Uvlačenje kabla
7. Prekidač za broj obrtaja
8. Odušivanje
9. Natpisna pločica
10. Kućište motora

## **6.2 Funkcionisanje proizvoda**

### **Prebacivanje broja obrtaja (sl. 8)**

Broj obrtaja pumpe se menja točkicom u tri stepena. Broj obrtaja najmanjeg stepena iznosi oko 40...50 % od maksimalnog broja obrtaja, uz sniženje primljene struje na 50 %.

### **Posebne karakteristike na pumpama**

Kod dupleks-pumpe su oba priključna elementa identična i smeštena u zajedničkom kućištu pumpe sa ugrađenim preklopnim ventilom.

Svaka pumpa može da radi pojedinačno, ali obe pumpe mogu raditi i istovremeno, paralelnim radom. Režimi rada su glavni/ rezervni rad ili paralelni rad/rad pod vršnim opterećenjem. Pojedinačni agregati mogu da se opreme za različite kapacitete. Time, takva instalacija može dupleks-pumpom da se podesi na individualne radne situacije. Za upravljanje različitim načinima rada potrebno je priključiti odgovarajući upravljački uređaj za prebacivanje.



## 7 Montaža i električno povezivanje



**OPASNOST! Opasno po život!**

**Nepravilna montaža i nestručno električno povezivanje mogu biti opasni po život.**

- **Montažu i električno povezivanje sme da obavlja samo stručno osoblje, u skladu sa važećim propisima!**
- **Pridržavajte se propisa za sprečavanje nesreća**

### 7.1 Instalacija

- Pumpa se ugrađuje tek nakon završetka svih radova zavarivanja i lemljenja, te nakon eventualno potrebnog ispiranja sistema cevi.
- Montirajte pumpu na dostupnom mestu da biste omogućili lak pristup za kontrolu ili demontažu.
- Kod montaže u polaznom vodu otvorenih sistema, sigurnosni polazni vod mora da se odvaja ispred pumpe (DIN EN 12828).
- Obezbedite zaporne ventile ispred i iza pumpe da biste olakšali eventualnu zamenu pumpe.
  - Obavite montažu tako da eventualno procurela voda ne može da kaplje na regulacioni modul.
  - U tu svrhu postavite gornji zaporni zasun sa strane.
- Kod radova na toplotnoj izolaciji pazite na to da ne izolujete motor pumpe i modul. Otvori za odvod kondenzata moraju biti slobodni (sl. 3, poz. 2).
- Obavite montažu bez napona, s horizontalnim položajem motora pumpe. Vidi položaje ugradnje na sl. 2.
- Strelice za smer na kućištu pumpe i na oblozi toplotne izolacije (dodatna oprema) pokazuju smer protoka (sl. 3, poz. 1).
- Otvorenim ključem osigurajte pumpu od izvrtanja (sl. 4).
- Za neophodno pozicioniranje priključne kutije kućište motora može nakon odvijanja zavrtnja da se izvrti (sl. 5).



**NAPOMENA:** U principu, okrećite glavu motora pre punjenja instalacije. Kod izvrtanja glave motora kod pune instalacije ne smete vaditi glavu motora iz kućišta pumpe. Blagim pritiskom na jedinicu motora izvrtite glavu motora, tako da iz pumpe ne može da izbije voda.



**OPREZ! Opasnost od materijalne štete!**

**Kod okretanja kućišta motora može da se ošteti zaptivač.**

**Odmah zamenite oštećene zaptivače:**

**Ø 86 x Ø 76 x 2,0 mm EP.**

## 7.2 Električno povezivanje



**OPASNOST! Opasno po život!**

**Nestručno izvedena električna instalacija može da ugrozi život strujnim udarom.**

- **Električno povezivanje treba obaljati električar s dozvolom mesnog preduzeća za snabdevanje energijom i u skladu s mesnim propisima.**
- **Pre svih radova isključiti napajanje strujom.**
- Vrsta struje i napon moraju odgovarati podacima na natpisnoj pločici.
- Električno povezivanje treba da se obavi u skladu sa VDE 0700/Deo 1 putem fiksnog priključnog voda, opremljenog kombinacijom utikača i utičnice ili prekidačem za sve polove, sa najmanje 3 mm širine otvora između kontakta.
- Da bi se obezbedila zaštita od kapanja vode i od naprezanja kabela na navoju kablovske uvodnice, potreban priključni sa dovoljnim spoljnim prečnikom % (npr. H05VV-F3G1,5).
- Prilikom primene pumpi u sistemima sa temperaturom fluida od preko 90 °C mora da se položi odgovarajući priključni vod koji je otporan na visoke temperature.

- Priključni vod mora da se položi tako da nikako ne može da dođe do kontakta sa cevovodom i/ili kućištem pumpe odn. motora.
- Izvedite priključak na mrežu prema sl. 6.
- Priključni kabl može po izboru da se vodi levo ili desno kroz kablovsku uvodnicu. Po potrebi možete zameniti slepe čepove s kablovskim uvodnicama. Kod bočnog položaja priključne kutije uvek postavljajte kablovsku uvodnicu odozdo (sl. 5).



### **OPREZ! Opasnost od kratkog spoja!**

**Za zaštitu od vlage propisno zatvorite poklopac priključne kutije nakon priključivanja električne instalacije.**

- Pumpu/instalaciju treba propisno uzemljiti.
- Kod priključivanja automatskih upravljačkih uređaja (kod dupleks-pumpi) pridržavajte se odgovarajućeg uputstva za ugradnju i upotrebu.



**NAPOMENA:** Dupleks-pumpe: Oba motora dupleks-pumpe treba opremiti posebnim priključnim mrežnim vodom, koji se može isključiti, i posebnim osiguračem na strani mreže.

## **8 Puštanje u rad**



**UPOZORENJE! Opasnost od povrede i materijalne štete!**

**Nepropisno puštanje u rad može da izazove povrede i materijalnu štetu.**

- **Puštanje u rad sme da obavlja samo stručno osoblje!**
- **U zavisnosti od radnog stanja pumpe ili instalacije (temperatura fluida) pumpa može da bude veoma vruća. Pri dodirivanju pumpe postoji opasnost od opekotina!**

## 8.1 Punjenje i odušivanje

Obavljajte propisno punjenje i odušivanje instalacije.

Za odušivanje pumpe je potrebno npr. kada grejanje i pumpa rade, ali su radijatori hladni. Ako u prostoru pumpe ima vazduha, pumpa neće prenositi vodu.

Jedno odušivanje se obavlja nezavisno već nakon kratkog vremena rada. Kratkotrajan rad na suvom ne šteti pumpi.

Ako se javi potreba za odušivanjem prostora rotora, postupite na sledeći način:

- isključite pumpu.



**UPOZORENJE! Opasnost od povrede!**

**U zavisnosti od radnog stanja pumpe ili instalacije (temperatura fluida) pumpa može da bude veoma vruća. Pri dodirivanju pumpe postoji opasnost od opekotina!**

- Zatvorite zaporni ventil cevovoda sa potisne strane.



**UPOZORENJE! Opasnost od povrede!**

**U zavisnosti od temperature fluida i pritiska u sistemu, kod otvaranja zavrtnja za odušivanje može da dođe do izbijanja vrućeg fluida u tečnom ili gasovitom stanju, odnosno pod visokim pritiskom. Postoji opasnost od opekotina vrelin fluidom!**

- Zavrtnaj za odušivanje pažljivo odvijte odgovarajućim odvijačem i izvucite ga (sl. 9).
- Vratilo pumpe pažljivo gurnite nekoliko puta prema nazad.
- Zaštitite delove električne instalacije od izbijanja vode.
- Uključite pumpu.



**NAPOMENA:** Kada je odvijen zavrtnaj za odušivanje, pumpa može u zavisnosti od radnog pritiska da se blokira.

- Nakon 15...30 s ponovo uvijte zavrtnaj za odušivanje.
- Otvorite zaporni ventil.

## 8.2 Prebacivanje broja obrtaja

Ako se prostorije ne zagrevaju dovoljno, moguće je da je broj obrtaja pumpe prenizak. Tada je potrebno prebacivanje na veći broj obrtaja. Obrnuto, ako je pumpa podešena na visoki broj obrtaja, u vodovima, a posebno na prigušenim termostatskim ventilima, dolazi do pojave šumova protoka. Mogu se otkloniti prebacivanjem na manji broj obrtaja. Prebacivanje na drugi broj obrtaja se obavlja pomoću točkića na priključnoj kutiji. Mala oznaka označava najniži, a velika oznaka označava najveći broj obrtaja (sl. 8).



**NAPOMENA:** Ako kod dupleks-pumpe obe pojedine pumpe rade istovremeno, prethodno izabrani brojevi obrtaja obeju pumpi moraju biti identični.

## 9 Održavanje



**OPASNOST! Opasno po život!**

**Prilikom radova na električnim aparatima postoji opasnost po život zbog strujnog udara.**

- **Prilikom svih radova na održavanju ili popravkama, pumpa ne sme da bude pod naponom i mora da se osigura od neovlašćenog uključivanja.**
- **Oštećenja na priključnom kablu u principu sme da popravlja samo kvalifikovani električar.**

Nakon obavljanja radova na održavanju, čišćenju i popravkama, pumpu treba montirati, odnosno priključiti prema poglavlju „Montaža i električno povezivanje“. Uključivanje pumpe sledi prema poglavlju „Puštanje u rad“.

## 10 Smetnje, uzroci i otklanjanje

**Otklanjanje smetnji sme da obavlja samo stručno osoblje!  
Pridržavajte se bezbednosnih uputstava u poglavlju 9!**

Smetnje	Uzroci	Otklanjanje
Napajanje strujom je uključeno, a pumpa ne radi.	Neispravan osigurač.	Proverite osigurače.
	Pumpa nema napon.	Proverite napon na pumpi. (Obratite pažnju na tipsku tablicu) Otklonite prekid napajanja
	Defekt kondenzatora	Proverite kondenzator (Obratite pažnju na tipsku tablicu) Zamenite kondenzator
	Motor je blokiran, npr. naslagama iz vode za grejanje	Odvijte zavrtanj za odušivanje do kraja i proverite pokretljivost rotora pumpe okretanjem zarezanim krajem vratila pomoću odvijača, odnosno oslobodite ga (sl. 9). <b>PAŽNJA!</b> Kod visokih temperatura vode i sistemskih pritiska zatvorite zaporne ventile ispred i iza pumpe. Pre toga ostavite da se pumpa ohladi.
Pumpa stvara zvuke.	Kavitacija zbog nedovoljnog pritiska polaznog toka.	Povećajte polazni pritisak sistema u okviru dozvoljenog područja.
		Proverite podešavanje broja obrtaja, eventualno podesite na manji broj.

**Ako se smetnja ne može otkloniti, obratite se u specijalizovani servis ili u najbližu Wilo pogonsku službu za korisnike.**

## 11 Rezervni delovi

Porudžbina rezervnih delova se odvija preko mesnih specijalizovanih tehničara i/ili Wilo službe za korisnike.

Da biste izbegli povratna pitanja i pogrešnu porudžbinu, kod svake porudžbine treba da navedete sve podatke sa natpisne pločice.

## 12 Uklanjanje otpada

Propisnim uklanjanjem ovog proizvoda putem odgovarajućeg recikliranja izbegavate zagađenje životne sredine i ugrožavanje ličnog zdravlja.

1. Za uklanjanje proizvoda, kao i njegovih delova, obratite se kod javnih ili privatnih preduzeća za uklanjanje otpada.
2. Dalje informacije o propisnom uklanjanju možete dobiti u gradskoj upravi, preduzeću za uklanjanje otpada ili na mestu kupovine proizvoda.



**NAPOMENA:** Pumpa ne spada u kućno smeće!

Dodatne informacije u vezi sa temom recikliranja pogledajte pod [www.wilorecycling.com](http://www.wilorecycling.com)

**Zadržavamo pravo na tehničke izmene!**

## Дополнительная информация:

### I. Информация о дате изготовления

Дата изготовления указана на заводской табличке оборудования.

Разъяснения по определению даты изготовления:

Например: YYwWW = 14w30

YY = год изготовления  
w = символ «Неделя»  
WW = неделя изготовления

### II. Сведения об обязательной сертификации

Оборудование соответствует требованиям следующих Технических Регламентов Таможенного Союза:



ТР ТС 004/2011 «О безопасности  
низковольтного оборудования»  
ТР ТС 020/2011 «Электромагнитная  
совместимость технических средств»

Наименование оборудования	Информация о сертификате	Срок действия
Циркуляционные насосы бытового назначения WILO	№ TC RU C-DE.AB24.B.01946, выдан органом по сертификации продукции ООО «СП «СТАНДАРТ ТЕСТ», город Москва	26.12.2014 - 25.12.2019

### III. Информация о производителе и официальных представительствах

1. Информация об изготовителе.

Изготовитель: WILO SE (ВИЛО СЕ)

Страна производства указана на заводской табличке оборудования.

2. Официальные представительства на территории Таможенного Союза.

<b>Россия:</b> ООО «ВИЛО РУС», 123592, г. Москва, ул. Кулакова, д. 20 Телефон +7 495 781 06 90, Факс + 7 495 781 06 91, E-mail: <a href="mailto:wilo@wilo.ru">wilo@wilo.ru</a>	<b>Беларусь:</b> ИООО "ВИЛО БЕЛ", 220035, г. Минск, ул. Тимирязева, 67, офис 1101, п/я 005 Телефон: 017 228-55-28 Факс: 017 396-34-66 E-mail: <a href="mailto:wilo@wilo.by">wilo@wilo.by</a>	<b>Казахстан:</b> ТОО «WILO Central Asia», 050002, г. Алматы, Джангильдина, 31 Телефон +7 (727) 2785961 Факс +7 (727) 2785960 E-mail: <a href="mailto:info@wilo.kz">info@wilo.kz</a>
---	--	--



## Wilo – International (Subsidiaries)

### Argentina

WILO SALMSON  
Argentina S.A.  
C.1295ABI Ciudad  
Autónoma de Buenos Aires  
T +54 11 4361 5929  
info@salmson.com.ar

### Australia

WILO Australia Pty Limited  
Murrarie, Queensland,  
4172  
T +61 7 3907 6900  
chris.dayton@wilo.com.au

### Austria

WILO Pumpen  
Österreich GmbH  
2351 Wiener Neudorf  
T +43 507 507-0  
office@wilo.at

### Azerbaijan

WILO Caspian LLC  
1065 Baku  
T +994 12 5962372  
info@wilo.az

### Belarus

WILO Bel IOOO  
220035 Minsk  
T +375 17 3963446  
wilo@wilo.by

### Belgium

WILO NV/SA  
1083 Ganshoren  
T +32 2 4823333  
info@wilo.be

### Bulgaria

WILO Bulgaria EOOD  
1125 Sofia  
T +359 2 9701970  
info@wilo.bg

### Brazil

WILO Comercio e  
Importação Ltda  
Jundiaí – São Paulo – Brasil  
13.213-105  
T +55 11 2923 9456  
wilo@wilo-brasil.com.br

### Canada

WILO Canada Inc.  
Calgary, Alberta T2A 5L7  
T +1 403 2769456  
info@wilo-canada.com

### China

WILO China Ltd.  
101300 Beijing  
T +86 10 58041888  
wilo@wilo.com.cn

### Croatia

WILO Hrvatska d.o.o.  
10430 Samobor  
T +38 51 3430914  
wilo-hrvatska@wilo.hr

### Cuba

WILO SE  
Oficina Comercial  
Edificio Simona Apto 105  
Siboney, La Habana, Cuba  
T +53 5 2795135  
T +53 7 272 2330  
raul.rodriguez@wilo-cuba.com

### Czech Republic

WILO CS, s.r.o.  
25101 Cestlice  
T +420 234 098711  
info@wilo.cz

### Denmark

WILO Danmark A/S  
2690 Karlslunde  
T +45 70 253312  
wilo@wilo.dk

### Estonia

WILO Eesti OÜ  
12618 Tallinn  
T +372 6 509780  
info@wilo.ee

### Finland

WILO Finland OY  
02330 Espoo  
T +358 207401540  
wilo@wilo.fi

### France

Wilo Salmson France S.A.S.  
53005 Laval Cedex  
T +33 2435 95400  
info@wilo.fr

### Great Britain

WILO (U.K.) Ltd.  
Burton Upon Trent  
DE14 2WJ  
T +44 1283 523000  
sales@wilo.co.uk

### Greece

WILO Hellas SA  
14569 Anixi (Attika)  
T +302 10 6248300  
wilo.info@wilo.gr

### Hungary

WILO Magyarország Kft  
2045 Törökbálint  
(Budapest)  
T +36 23 889500  
wilo@wilo.hu

### India

Mather and Platt Pumps Ltd.  
Pune 411019  
T +91 20 27442100  
services@matherplatt.com

### Indonesia

PT. WILO Pumps Indonesia  
Jakarta Timur, 13950  
T +62 21 7247676  
citrawilo@cbn.net.id

### Ireland

WILO Ireland  
Limerick  
T +353 61 227566  
sales@wilo.ie

### Italy

WILO Italia s.r.l.  
20068 Peschiera Borromeo  
(Milano)  
T +39 25538351  
wilo.italia@wilo.it

### Kazakhstan

WILO Central Asia  
050002 Almaty  
T +7 727 2785961  
info@wilo.kz

### Korea

WILO Pumps Ltd.  
618-220 Gangseo, Busan  
T +82 51 950 8000  
wilo@wilo.co.kr

### Latvia

WILO Baltic SIA  
1019 Riga  
T +371 6714-5229  
info@wilo.lv

### Lebanon

WILO LEBANON SARL  
Jdeideh 1202 2030  
Lebanon  
T +961 1 888910  
info@wilo.com.lb

### Lithuania

WILO Lietuva UAB  
03202 Vilnius  
T +370 5 2136495  
mail@wilo.lt

### Morocco

WILO Maroc SARL  
20250 Casablanca  
T +212 (0) 5 22 66 09 24  
contact@wilo.ma

### The Netherlands

WILO Nederland B.V.  
1551 NA Westzaan  
T +31 88 9456 000  
info@wilo.nl

### Norway

WILO Norge AS  
0975 Oslo  
T +47 22 804570  
wilo@wilo.no

### Poland

WILO Polska Sp. z o.o.  
05-506 Lesznowola  
T +48 22 7026161  
wilo@wilo.pl

### Portugal

Bombas Wilo – Salmson  
– Sistemas Hidraulicos Lda.  
4050-040 Porto  
T +351 22 2080350  
bombas@wilo.pt

### Romania

WILO Romania s.r.l.  
077040 Com. Chiajna  
Jud. Ilfov  
T +40 21 3170164  
wilo@wilo.ro

### Russia

WILO Rus ooo  
123592 Moscow  
T +7 495 7810690  
wilo@wilo.ru

### Saudi Arabia

WILO ME – Riyadh  
Riyadh 11465  
T +966 1 4624430  
wshoula@watanaiind.com

### Serbia and Montenegro

WILO Beograd d.o.o.  
11000 Beograd  
T +381 11 2851278  
office@wilo.rs

### Slovakia

WILO CS s.r.o., org. Zlozka  
83106 Bratislava  
T +421 2 38014511  
info@wilo.sk

### Slovenia

WILO Adriatic d.o.o.  
1000 Ljubljana  
T +386 1 5838130  
wilo.adriatic@wilo.si

### South Africa

Salmson South Africa  
2065 Sandton  
T +27 11 6082780  
patrick.hulley@  
salmson.co.za

### Spain

WILO Iberica S.A.  
28806 Alcalá de Henares  
(Madrid)  
T +34 91 8797100  
wilo.iberica@wilo.es

### Sweden

WILO NORDIC AB  
35033 Växjö  
T +46 470 727600  
wilo@wilo.se

### Switzerland

EMB Pumpen AG  
4310 Rheinfelden  
T +41 61 83680-20  
info@emb-pumpen.ch

### Taiwan

WILO Taiwan CO., Ltd.  
24159 New Taipei City  
T +886 2 2999 8676  
nelson.wu@wilo.com.tw

### Turkey

WILO Pompa Sistemleri  
San. ve Tic. A.Ş.  
34956 Istanbul  
T +90 216 2509400  
wilo@wilo.com.tr

### Ukraine

WILO Ukraina t.o.w.  
08130 Kiew  
T +38 044 3937384  
wilo@wilo.ua

### United Arab Emirates

WILO Middle East FZE  
Jebel Ali Free Zone–South  
PO Box 262720 Dubai  
T +971 4 880 91 77  
info@wilo.ae

### USA

WILO USA LLC  
Rosemont, IL 60018  
T +1 866 945 6872  
info@wilo-usa.com

### Vietnam

WILO Vietnam Co Ltd.  
Ho Chi Minh City, Vietnam  
T +84 8 38109975  
nkminh@wilo.vn

# wilo

Pioneering for You

WILO SE  
Nortkirchenstraße 100  
D-44263 Dortmund  
Germany  
T +49(0)231 4102-0  
F +49(0)231 4102-7363  
wilo@wilo.com  
www.wilo.com

## ١١ قطع الغيار

يتم طلب قطع الغيار عبر شركة متخصصة محلية و/أو عبر مركز خدمة عملاء Wilo. لتجنب تكرار الاستفسارات والأخطاء في الطلب، يجب عند كل طلب ذكر جميع البيانات الفنية المدونة على لوحة الصنع.

## ١٢ التخلص من البقايا

- يتم من خلال التخلص من البقايا بشكل صحيح وإعادة التدوير السليم للمنتج، تجنب الأضرار البيئية وكذلك تجنب المخاطر على الصحة الشخصية.
١. للتخلص من هذا المنتج أو أجزاء منه، يجب الاستعانة بالمؤسسات الخاصة والعامّة المعنية بالتخلص من المنتجات.
  ٢. يمكن الحصول على المزيد من المعلومات بشأن التخلص من المنتجات بشكل سليم لدى إدارة المدينة أو الهيئة المسؤولة عن تكهين المنتجات المستعملة أو من المكان الذي اشتريت منه المنتج.

**نحتفظ بحق إدخال تعديلات فنية!**

## ١٠ الإختلالات، أسبابها وكيفية التغلب عليها

يجب دائماً إزالة الإختلالات على يد فنيين متخصصين!  
تراعى إرشادات الأمان في فصل ٩!

الإصلاح	الأسباب	الإختلالات
فحص المصاهر الكهربائية.	تلف المصهر الكهربائي.	المضخة لا تعمل برغم تشغيل التيار الكهربائي.
فحص جهد المضخة. (مراعاة لوحة الصنع) إصلاح انقطاع التيار الكهربائي	إنعدام الجهد بالمضخة.	
فحص المكثف (مراعاة لوحة الصنع) تغيير المكثف	تلف المكثف	
إخراج برغي تنفيس الهواء بالكامل وفحص أو جعل حرية حركة محرك المضخة سلسلة من خلال إدارة الشق الموجود بنهاية العمود باستخدام مفك البراغي (الرسم ٩). احترس! غلق صمامات الإيقاف أمام وخلف المضخة عندما تكون درجات حرارة المياه وضغوط النظام مرتفعة. اترك المضخة تبرد قبل ذلك.	المحرك مسدود من خلال تراكمات مياه التدفئة مثلاً	
زيادة ضغط دفع النظام ضمن النطاق المسموح به.	أصوات التجويف صادرة عن الضغط الدفع غير الكافي	صدور أصوات من المضخة.
فحص ضبط عدد اللفات وإذا لزم الأمر التحويل الى عدد لفات أقل.		

إذا لم يتم التغلب على الخلل، يرجى الاتصال بشركة متخصصة أو بمركز خدمة  
العملاء بمصنع Wilo.

## ٢-٨ محول عدد اللغات

إذا لم يتم تدفئة الغرف بدرجة كافية، فمن الممكن أن يكون عدد لغات المضخة منخفضاً للغاية. عندئذٍ يلزم تحويل عدد اللغات على درجة أعلى. في حالة ضبط المضخة على عدد لغات مرتفع للغاية، تصدر أصوات ضوضاء بفعل التدفق في المواسير وخصوصاً على صمامات الترموستات المنخقة. ويمكن التغلب على هذه الأصوات من خلال التحويل إلى عدد لغات منخفض. يتم التحويل إلى درجة أخرى لعدد اللغات باستخدام مفتاح دوار الموجود بعلية التوصيلات. ترمز العلامات الصغيرة إلى أدنى عدد للغات أما العلامات الكبيرة إلى أعلى عدد للغات (الرسم ٨).

إرشاد: إذا تم تشغيل كلا المضختين الفرديتين في نفس الوقت بالمضخة المزوجة، يجب أن يكون عدد اللغات، الذي تم اختياره للمضختين متماثلاً.



## ٩ الصيانة

**خطر! خطر على الحياة!**



عند إجراء أعمال على أجهزة كهربائية يكون هناك خطر على الحياة نتيجة للتعرض لصعقة كهربائية.

- يجب فصل التيار الكهربائي للمضخة وتأمين عدم إعادة تشغيله غير المسموح به عند إجراء أعمال الصيانة والتصليح.
- يجب دائماً إصلاح أضرار كابل التوصيل من قبل عامل كهربائي مؤهل فقط.

بعد الانتهاء من أعمال الصيانة والإصلاح يجب تركيب المضخة وتوصيلها وفقاً لما ورد في فصل "التركيب والتوصيل بالكهرباء". يتم تشغيل المضخة حسب تعليمات فصل "التشغيل".

يتم تلقائياً تنفيس هواء حيز المضخة الدوار بعد التشغيل بفترة قصيرة. لا يسبب الدوران الجاف للمضخة لفترة قصيرة أي أضرار.

إذا لزم تنفيس الهواء من حيز الملف الدوار، فيرجى التصرف كما يلي:  
• إيقاف المضخة.

**تحذير! خطر حدوث أضرار للأشخاص!**

حسب حالة تشغيل المضخة أو النظام (درجة حرارة سائل الضخ)، يمكن أن تصبح المضخة بالكامل شديدة السخونة. خطر الإصابة بحروق في حالة لمس المضخة!



• غلق صمام الإيقاف للأنبوب الطرد.

**تحذير! خطر حدوث أضرار للأشخاص!**

حسب درجة حرارة سائل الضخ وضغط النظام، يمكن في حالة فتح برغي التنفيس أن يتدفق سائل الضخ الساخن إما في حالة سائلة أو بخارية أو يتم دفعه تحت الضغط. خطر الحروق من خلال خروج سائل الضخ!



• ينبغي حل برغي تنفيس الهواء بحذر باستخدام مفك براغي مناسب ثم إخرجه بالكامل (الرسم ٩).

• إعادة دفع عمود المضخة عدة مرات بحذر باستخدام مفك البراغي.

• حماية الأجزاء الكهربائية من الماء المتسرب.

• تشغيل المضخة.

إرشاد: يمكن أن تنسد المضخة إذا كان برغي تنفيس الهواء مفكوكا وذلك تبعاً لارتفاع ضغط التشغيل.



• إعادة تركيب برغي تنفيس الهواء بعد ١٥ ... ٣٠ ثانية.

• إعادة فتح صمام الإيقاف.

**تنبيه! خطر الماس الكهربائي!**  
للحماية من الرطوبة، يجب إعادة غلق غطاء علبة التوصيلات وفقا للتعليمات بعد التوصيل بالكهرباء.



- ينبغي تأريض المضخة/الجهاز وفقا للتعليمات.
- ينبغي مراعاة دليل التركيب والتشغيل بشكل مطابق عند توصيل أجهزة التحكم العاملة أوتوماتيكيا (للمضخات المزدوجة).

إرشاد: المضخات المزدوجة: قم بتزويد محركي المضخة المزدوجة بوصلة للشبكة قابلة للتشغيل بشكل مستقل وكذلك مصهر مستقل للشبكة.



## ٨ بدء التشغيل

- تحذير! خطر على الأشخاص وأضرار مادية!**  
يمكن أن يؤدي بدء التشغيل غير السليم الى إصابات شخصية وأضرار مادية.
- ينبغي أن يتم التشغيل من قبل أشخاص مؤهلين متخصصين فقط!
  - حسب حالة تشغيل المضخة أو النظام (درجة حرارة سائل الضخ)، يمكن أن تصبح المضخة بالكامل شديدة السخونة. خطر الإصابة بحروق في حالة لمس المضخة!



## ١-٨ الملء والتهوية

ينبغي ملء النظام وتهويته بشكل صحيح.  
يكون تنفيس هواء المضخة ضروريا على سبيل المثال إذا كان جهاز التدفئة والمضخة يعملان ولكن حالة التدفئة لا تزال باردة. لا تقوم المضخة بضخ الماء في حال وجود هواء في حيز المضخة.

**تنبيه! خطر حدوث أضرار مادية!**  
يمكن أن يتضرر الجوان عند تحريك مبيت المحرك. تغيير الجوانات التالفة فوراً:  
**Ø 86 x Ø 76 x 2.0 mm EP**



## ٢-٧ التوصيل الكهربائي

**خطر! خطر على الحياة!**

في حالة توصيل المضخة بالكهرباء بشكل غير سليم يكون هناك خطر على الحياة  
بفعل الصعق الكهربائي.



- يجب تنفيذ أعمال التوصيل الكهربائي فقط من قبل عامل كهربائي متخصص ومرخص له من شركة الكهرباء المحلية ووفقاً للتعليمات المعمول بها محلياً.
- يجب فصل التيار الكهربائي قبل القيام بأي عمل.
- يجب أن يكون نوع التيار والجهد متطابق مع البيانات الموجودة على لوحة الصنع.
- يجب أن يتم تشغيل التوصيل الكهربائي وفقاً لمعيار VDE 0700/الجزء ١ عن طريق كابل توصيل ثابت، يكون مزوداً بقابس أو بمفتاح متعدد الأقطاب مجهز بفتحات اتصال ٣ مم على الأقل.
- للحماية من تقطر الماء وتخفيف الشد عن توصيلات PG-يجب أن يكون كابل التوصيل ذا قطر خارجي كافي (مثلاً H05W-F3G1,5 أو AVMH-3x1,5).
- عند استخدام المضخة في أنظمة ذات درجات حرارة تفوق ٩٠ درجة مئوية، يجب استخدام كابل توصيل مناسب مقاوم للحرارة.
- ويجب تمديد كابل الكهرباء بحيث لا يحدث بأي حال من الأحوال أي تلامس للماسورة و/أو مبيت المضخة أو مبيت المحرك.
- تنفيذ التوصيل بالشبكة طبقاً للرسم ٦.
- يمكن إدخال كابل التوصيل إختيارياً من اليسار أو اليمين من خلال مدخل الكابل. ولهذا الغرض قد يلزم تغيير السدادة المسدودة ومدخل الكابل. إذا كان موضع علبة التوصيلات جانبياً، يتعين أن يكون مدخل الكابل دائماً من الأسفل (الرسم ٥).



## ١-٧ التركيب

- يتم تركيب المضخة بعد الإنتهاء من أعمال التلحيم واللصق فقط وإذا لزم الأمر بعد التنظيف المطلوب لنظام الأنابيب.
- ينبغي تركيب المضخة في مكان يسهل الوصول اليه لإجراء عملية الفحص أو الفك.
- عند تركيب الدفع الأمامي للأنظمة المفتوحة يجب أن يكون تفرع أمان الدفق الأمامي قبل المضخة (DIN EN 12828).
- ينبغي تركيب صمام إيقاف قبل وبعد المضخة لكي يُسهل عملية تغيير المضخة المحتمل.
- ينبغي أن تتم عملية التركيب بحيث إذا تسرب الماء، أن لا يتقطر على وحدة التحكم.
- فلهذا السبب ينبغي أن يتم توجيه صمام الإيقاف العلوي بشكل جانبي.
- عند إجراء أعمال العزل الحراري، ينبغي مراعاة عدم عزل محرك المضخة وكذلك الوحدة. يجب أن تكون فتحات تصريف التكثف مفتوحة (الرسم ٣، موضع ٢).
- ينبغي أن تكون عملية التركيب خالية من الجهد الكهربائي وأن يكون محرك المضخة موضوعا بشكل أفقي. أنظر الرسم ٢ أساسات التركيب للمضخة.
- تشير أسهم الإتجاه الموجودة على مبيت المضخة والغطاء العازل للحرارة (الملحق) الى إتجاه الدفق (الرسم ٣، الموضع ١).
- تأمين عدم إنحراف المضخة باستخدام مفتاح الربط (الرسم ٤).
- لموضعة علبه التوصيلات المطلوبة، يمكن أن يتم تحريك مبيت المحرك بعد حل براغي تثبيت المحرك (الرسم ٥).

إرشاد: يجب عموما تحريك رأس المحرك قبل ملء النظام. عدم إخراج رأس المحرك من مبيت المضخة عند تحريك رأس المحرك إذا كان النظام قد تم ملئه بالفعل. ينبغي تحريك رأس المحرك من خلال الضغط الخفيف على وحدة المحرك لكي لا تخرج المياه من المضخة.



## ٢-٦ وظيفة المُنتج

## تغيير سرعة الدوران (الرسم ٨)

يتم تغيير سرعة دوران المضخة عن طريق مفتاح دوار على ثلاث درجات. تتراوح سرعة الدوران لأصغر درجة ما بين ٤٠ و ٥٠ ٪ من سرعة الدوران القصوى مع انخفاض باستهلاك الطاقة الي ٥٠ ٪.

## ميزات خاصة بالمضخات

تم في المضخة المزوجة إنشاء كلا وحدتي الإدخال بشكل متماثل كما يتم تركيبهما في مبيت مشترك للمضخة باستخدام غطاء التحويل المدمج. يمكن أن يتم تشغيل كل مضخة بشكل منفرد، ومن الممكن أيضا أن يتم تشغيل كلا المضختين بشكل متوازي في الوقت نفسه. أنواع التشغيل هي التشغيل الأساسي/ الإحتياطي أو التشغيل الإضافي/تشغيل وقت الذروة. يمكن أن يتم تصميم وحدات التجميع الفردية لمعدلات تدفق مختلفة. يمكن أن يتم عن طريق المضخة المزوجة تكييف المحطة مع أوضاع التشغيل الفردية. يتطلب التحكم بطرق التشغيل المختلفة، توصيل جهاز التحكم المناسب للتحويل.

## ٧ التركيب والتوصيل بالكهرباء

## خطر! خطر على الحياة!

- التركيب والتوصيل بالكهرباء بشكل غير سليم يمكن أن يمثل خطرا على الحياة.
- لا يجوز القيام بالتركيب أو التوصيل بالكهرباء إلا على يد فنيين متخصصين، على أن يتم ذلك حسب التعليمات المعمول بها!
- مراعاة اللوائح للوقاية من الحوادث



## ٤-٥ الملحقات التكميلية

يجب طلب الملحقات التكميلية بشكل منفصل:

- غطاء عزل حراري
  - وصلات ملولبة
- القائمة التفصيلية، انظر الكتالوج.

## ٦ الشرح والوظائف

## ١-٦ شرح المنتج

تتكون المضخة (رسم ١) من نظام هيدروليكي، محرك رطب وعلبة التوصيلات. جميع الأجزاء الدوارة في المضخة ذات الملف الدوار تكون محاطة بسائل الضخ، بما في ذلك ملف المحرك الدوار. ليس من الضروري تركيب جوانب للعمود للحماية من التآكل. فسائل الضخ يقوم بتزليق المحمل الانزلاقي ويقوم بتبريد المحمل والملف الدوار. ليس من الضروري استخدام وسيلة من أجل حماية المحرك. حتى أن أقصى تيار زائد لن يتسبب بضرر المحرك. فالمحرك مزود بحماية أوتوماتيكية.

## مصطلحات (رسم ١):

١. منفذ أنبوب الشفط
٢. مصرف التكتفات
٣. جسم المضخة
٤. منفذ أنبوب الطرد
٥. علبة التوصيلات
٦. مدخل الكابلات
٧. مفتاح سرعة الدوران
٨. فتحة تنفيس الهواء
٩. لوحة الصنع
١٠. مبيت المحرك

## ٥ بيانات عن المنتج

## ١-٥ شرح معاني الطرازات

مثال: Wilo-Star-RS 25/4	
RS = مضخة تدوير للتدفئة، مسارع ذو ملف دوار مغمور	Star-RS
RSD = مضخة مزدوجة - تدوير للتدفئة، مسارع ذو ملف دوار مغمور	
وصلة ملولبة	٢٥
١٥، (Rp 1/2)، ٢٥ (Rp1)، ٣٠ (Rp 1/2)	
٤ = ارتفاع الدفق الأقصى بالمتر عند Q = 0 m³/h	/٤

٢-٥ الخصائص الفنية	
٧ ٢٣٠ ± ١ ٪	الفلطية
٥٠ Hz	تردد الشبكة
انظر لوحة الصنع	فئة الحماية IP
انظر لوحة الصنع	عدد لفات المحرك القصوى.
١٠- درجة مئوية حتى ١١٠+ درجة مئوية	درجات حرارة المياه عند درجة الحرارة المحيطة القصوى +٤٠ درجة مئوية
٤٠+ درجة مئوية	درجة الحرارة المحيطة القصوى
١٠ بار (١٠٠٠ kPa)	ضغط التشغيل الأقصى
٠٠٥ بار / ٠٠٣ بار / ١٠٠ بار	ضغط الدفق الأدنى (١) عند
١٠٠ kPa / ٣٠ kPa / ٥ kPa	٥٠+ درجة مئوية/٩٥+ درجة مئوية/١١٠+ درجة مئوية
١٣٠ مم / ١٨٠ مم	طول التركيب
٣ درجات	سرعة التحويل (٢)

- (١) تنطبق هذه القيم حتى ٣٠٠ متر فوق مستوى سطح البحر؛ قيمة مضافة للمواقع الأعلى: ٠٠،١ بار/١٠٠ متر زيادة في الارتفاع. لتجنب ضوضاء التجويف، يجب الالتزام بضغط الدفق الأدنى لأنبوب الشفط بالمضخة!
- (٢) تشغيل المضخات المزدوجة Star-RSD يتطلب تركيب إضافي لجهاز تحكم معتمدا على وقت التشغيل الأساسي/الإحتياطي أو التشغيل الإضافي/تشغيل وقت الذروة.

## ٣-٥ التجهيزات الموردة

- مضخة تدوير كاملة
- ٢ جوانات
- دليل التركيب والتشغيل

### ٣ النقل والتخزين المؤقت

بعد إستلام المنتج فوراً:

- فحص المنتج من الأضرار الناجمة عن عملية النقل،
- عند حدوث أي أضرار من خلال عملية النقل، يجب إتخاذ الخطوات اللازمة في غضون الفترات الزمنية المحددة لدى شركة النقل.

**تنبيه! خطر حدوث أضرار مادية!**

يمكن أن تؤدي عملية النقل غير السليمة وعملية التخزين المؤقت غير السليمة الى أضرار مادية بالمنتج (الرسم ٧).



- يجب حماية المضخة أثناء عملية النقل والتخزين المؤقت من الرطوبة والصقيع والأضرار الميكانيكية الناتجة عن الصدمات/الضربات.
- لا يجوز أن تتعرض المضخة الى درجات حرارة تتخطى نطاق -١٠ درجة مئوية الى +٥٠ درجة مئوية.

### ٤ الاستخدام المطابق للتعليمات

قد تم تصميم مضخات تدوير مياه التدفئة من طراز Wilo-Star RS لأنظمة التدفئة عن طريق المياه الساخنة والأنظمة المماثلة، باستخدام معدلات الدفق المتغيرة باستمرار.

السوائل المسموح باستخدامها هي مياه التدفئة وفقاً لمعيار VDI 2035، خليط المياه/الجلايكول بنسبة خلط أقصاها ١:١. عند استخدام أية إضافات من مادة الجلايكول، يجب تصحيح بيانات الدفق الخاصة بالمضخة وفقاً لارتفاع اللزوجة وتبعاً للنسبة المئوية للخليط.

ينبغي استخدام منتجات ذات علامات تجارية مزودة بمثبطات وبحماية من التآكل فقط، كما يجب مراعاة مواصفات الجهة المصنعة. عند استخدام أي سائل أخرى، يجب الحصول على موافقة من شركة WILO.

يُعد الالتزام بهذه التعليمات استخدام مطابق للتعليمات أيضاً. أي استخدام آخر يعتبر مخالفاً للاستخدام المطابق للتعليمات.

## ٦-٢ إرشادات الأمان لأعمال التركيب والصيانة

يجب على الجهة المشغلة أن تحرص على أن تتم جميع أعمال التركيب والصيانة على يد فنيين متخصصين معتمدين والتأكد من حصولهم على المعرفة الكافية لذلك من خلال دراستهم لدليل التشغيل.

لا يجوز إجراء أي عمل على المنتج/النظام إلا في حالة التوقف. يجب الإلتزام بالطريقة المشروحة لإيقاف المنتج/النظام في دليل التركيب والتشغيل.

بعد الانتهاء من إجراء الأعمال مباشرة، يجب إعادة تركيب جميع تجهيزات الأمان والحماية أو تشغيلها مرة أخرى.

## ٧-٢ تعديل وتصنيع قطع الغيار على المسؤولية الشخصية

تعديل وتصنيع قطع الغيار على المسؤولية الشخصية، يمثل خطورة على المنتج/الأشخاص ويؤدي إلى إبطال الإرشادات والشروح الصادرة عن الجهة الصانعة بشأن السلامة والأمان.

لا يجوز إدخال أي تعديلات على المنتج إلا بعد التشاور مع الجهة الصانعة.

إستخدام قطع الغيار الأصلية والملحقات التكميلية المصرح بها من الجهة الصانعة، تضمن السلامة. يؤدي إستخدام أي أجزاء أخرى إلى إلغاء الضمان والعواقب الناجمة عن ذلك.

## ٨-٢ طرق التشغيل غير المسموح بها

سلامة تشغيل المنتج المورد لا تكون مضمونة إلا في حالة استخدامه طبقاً للتعليمات حسب جزء ٤ الموجود في دليل التشغيل. القيم الحدية المذكورة في الكتالوج/لوحة البيانات لا يجوز تخطيها أو النزول عنها بأي حال.

## ٥-٢ إرشادات الأمان بالنسبة للجهة المشغلة

هذا الجهاز غير مناسب للاستخدام من قبل الأشخاص (بما فيهم الأطفال) الذين لا يمكنهم استخدامه لأسباب تتعلق بقدراتهم الجسدية أو الحسية أو العقلية المحدودة أو نتيجة لنقص الخبرة و/أو المعرفة اللازمة إلا تحت إشراف ومراقبة شخص مسؤول عن سلامتهم أو قيام هذا الشخص المسؤول عن سلامتهم بتوجيههم إلى كيفية استخدام الجهاز.

كما يجب مراقبة الأطفال للتحقق من عدم لعبهم بالجهاز.

- إذا كانت هناك أجزاء ساخنة أو باردة بالمنتج/النظام من شأنها أن تؤدي إلى مخاطر، فيجب تأمين هذه الأجزاء لكي لا يتم لمسها.
- وسيلة الحماية من لمس الأجزاء المتحركة (مثل القارئة) لا يجوز إزالتها عندما يكون المنتج مشغلاً.
- مواضع التسريب (مثل جوان العمود) التي يتسرب منها سوائل ضخ خطيرة (قابلة للانفجار أو سامة أو ساخنة مثلاً) ، يجب أن يتم تصريفها بشكل لا يسبب أي خطورة على الأشخاص والبيئة. يجب الإلتزام بالتعليمات القانونية الوطنية.
- يجب تفادي المخاطر الناتجة عن الطاقة الكهربائية. يجب مراعاة التعليمات المحلية أو اللوائح العامة [مثلاً IEC و VDE والخ] وكذلك تعليمات شركة الإمداد بالطاقة المحلية.

## ٢-٢ مؤهلات العاملين

العاملون المسؤولون عن التركيب والاستعمال والصيانة، يجب أن يكون لديهم مؤهلات كافية تتناسب مع هذه الأعمال. ويجب على الجهة المشغلة التأكد من نطاق مسؤولية وتخصص ومراقبة الفنيين. إذا لم يكن الفنيون لديهم المعرفة اللازمة، فيجب تدريبهم وتوجيههم. وعند اللزوم يمكن أن يتم ذلك عن طريق الجهة الصانعة للمنتج بتكليف من الجهة المشغلة.

## ٣-٢ الأخطار في حالة عدم مراعاة إرشادات الأمان

عند عدم مراعاة إرشادات الأمان، يمكن أن يؤدي ذلك الى تعريض الأشخاص، البيئة والمنتج/النظام للخطر. كما أن عدم مراعاة إرشادات الأمان قد يؤدي الى فقدان لكل حقوق التعويض عن الأضرار.

في بعض الأحيان، قد يؤدي عدم مراعاة الإرشادات على سبيل المثال إلى المخاطر التالية:

- مخاطر على الأشخاص نتيجة للتأثيرات الكهربائية، الميكانيكية والبكتيرية،
- مخاطر على البيئة في حالة تسرب مواد خطرة،
- أضرار مادية،
- خلل بالوظائف المهمة للمنتج/النظام،
- خلل بالإجراءات المقررة للصيانة والتصليح.

## ٤-٢ إجراء الأعمال مع اتباع احتياطات الأمان

يجب مراعاة إرشادات الأمان الواردة في دليل التشغيل هذا واللوائح المحلية المعمول بها لتفادي وقوع الحوادث وكذلك مراعاة اللوائح الداخلية بشأن العمل والتشغيل والأمان لدى الجهة المشغلة.



## ١-٢ تمييز الإرشادات في دليل التشغيل

الرموز:

رمز خطر عام



خطر نتيجةً للجهد الكهربائي



إرشاد:



الكلمات التنبيهية:

**خطر!**

موقف خطر للغاية.

عدم المراعاة تؤدي إلى الموت أو إلى إصابات بالغة.

**تحذير!**

قد يتعرض المستخدم لإصابات (بالغة). "التحذير" يشتمل على احتمال التعرض  
لأضرار مادية (جسيمة) في حالة تجاهل الإرشاد.

**تنبيه!**

هناك خطر إلحاق الضرر بالمنتج/النظام. "التنبيه" يشير إلى احتمال تعرض المنتج  
للأضرار في حالة تجاهل الإرشاد.

إرشاد: إرشاد مفيد لاستخدام المنتج. وهو يلفت نظرك أيضاً لبعض الصعوبات  
المحتملة.

إرشادات موجودة على المنتج مباشرةً على سبيل المثال.

- سهم اتجاه الدوران،
  - علامات للتوصيلات،
  - لوحة الصنع،
  - ملصق تحذيري،
- يجب مراعاته والحفاظ عليه بشكل كامل وواضح للقراءة.

## ١ نقاط عامة

## حول هذه المطبوعة:

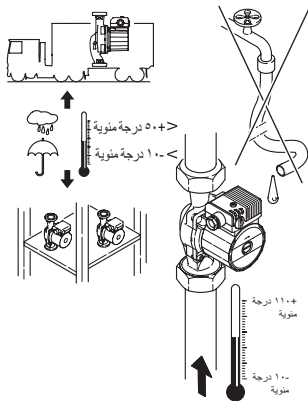
لغة دليل التشغيل الأصلي هي الألمانية. جميع الأدلة المكتوبة بلغات أخرى عبارة عن ترجمة لدليل التشغيل الأصلي. ويعتبر دليل التركيب والتشغيل جزءاً من المنتج. ويجب أن يكون متاحاً بالقرب من المنتج في أي وقت. مراعاة التوجيهات الواردة في هذا الدليل بدقة شرط أساسي لاستخدام المنتج بشكل صحيح ومطابق للتعليمات. ويطابق دليل التركيب والتشغيل تصميم المنتج ووضعه وفقاً لآخر ما توفر من مواصفات ومعايير لازمة للأمان وقت مثول الدليل للطباعة.

## ٢ الأمان

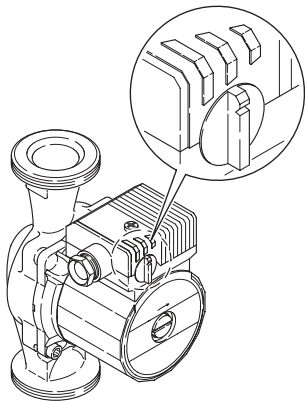
يشتمل هذا الدليل على إرشادات أساسية يجب مراعاتها عند التركيب والتشغيل والصيانة. لذلك، فإنه من الضروري قبل إجراء عملية التركيب والتشغيل أن يقوم عمال التركيب وكذلك الأشخاص المشغلين/الفنيين بقراءة دليل التشغيل هذا. إرشادات السلامة التي يلزم مراعاتها لا تقتصر فقط على الإرشادات المذكورة بشكل عام تحت هذا العنوان الرئيسي، بل إنها تضم أيضاً إرشادات السلامة الخاصة الواردة في العناوين التالية والمصحوبة برموز تدل على الأخطار.



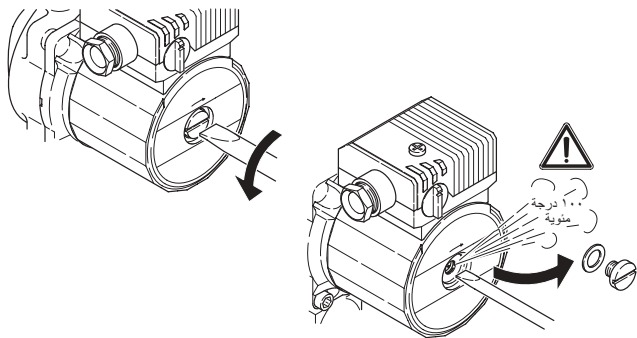
الرسم ٧:



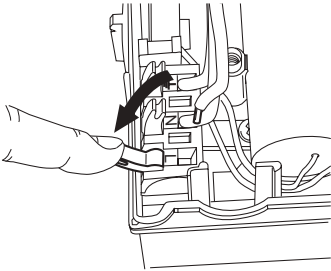
الرسم ٨:



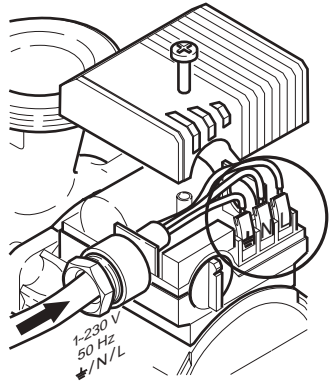
الرسم ٩:



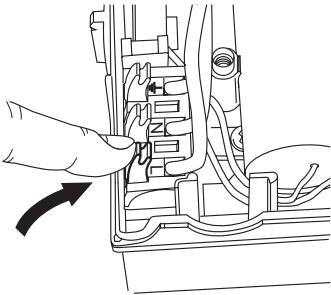
الرسم أ:



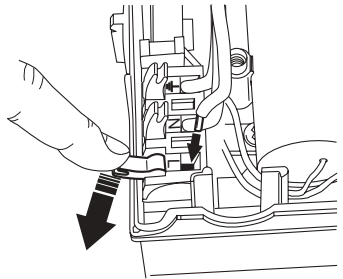
الرسم ب:



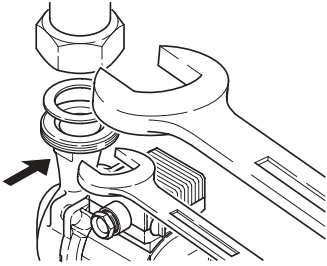
الرسم ج:



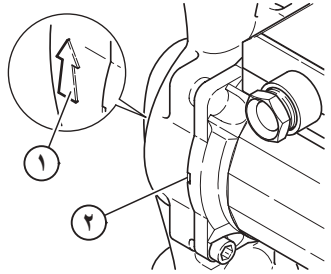
الرسم د:



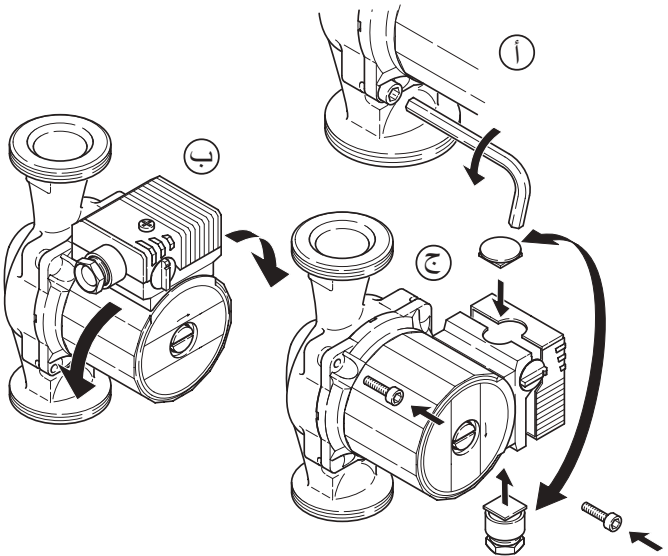
الرسم ٤ :

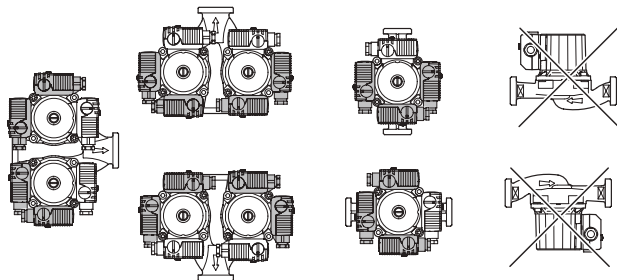
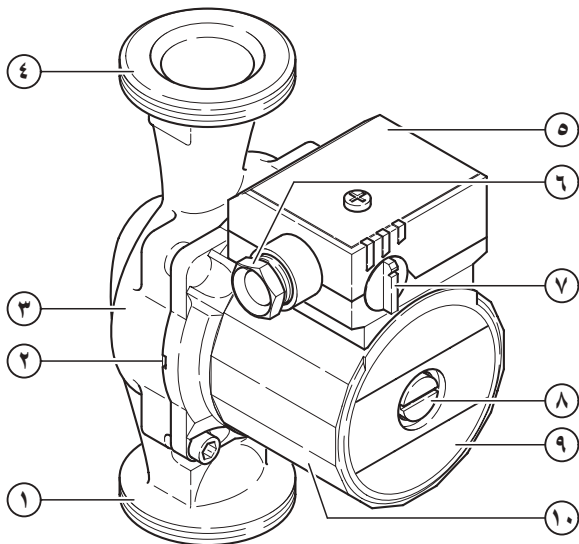


الرسم ٣ :



الرسم ٥ :





## Wilo-Star RS, RSD



ar تعليمات التركيب والتشغيل